

BRANDVAN
® **EGMOND**



EDITION 31



Welcome...

William Brand (1963) - an award-winning architect and sculptor - is widely recognized for his imaginative and daring sculptural lighting.

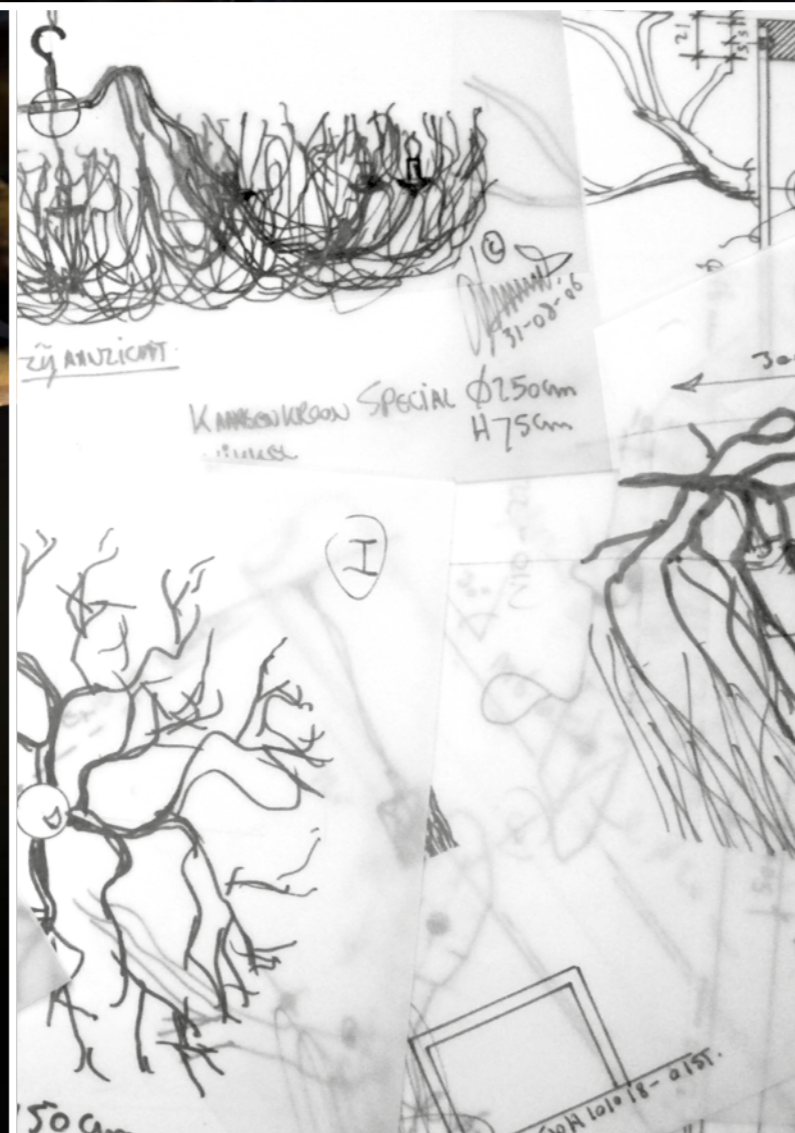
In 1989, he founded his own atelier Brand van Egmond to create without restraint. His lighting sculptures, often perceived as art pieces, grace the finest residences, exclusive boutiques, stunning hotels and leading art exhibitions.

We welcome everybody who wants to see our designs, or would like personal advice from William Brand and his team, to our office and atelier in Naarden, The Netherlands.

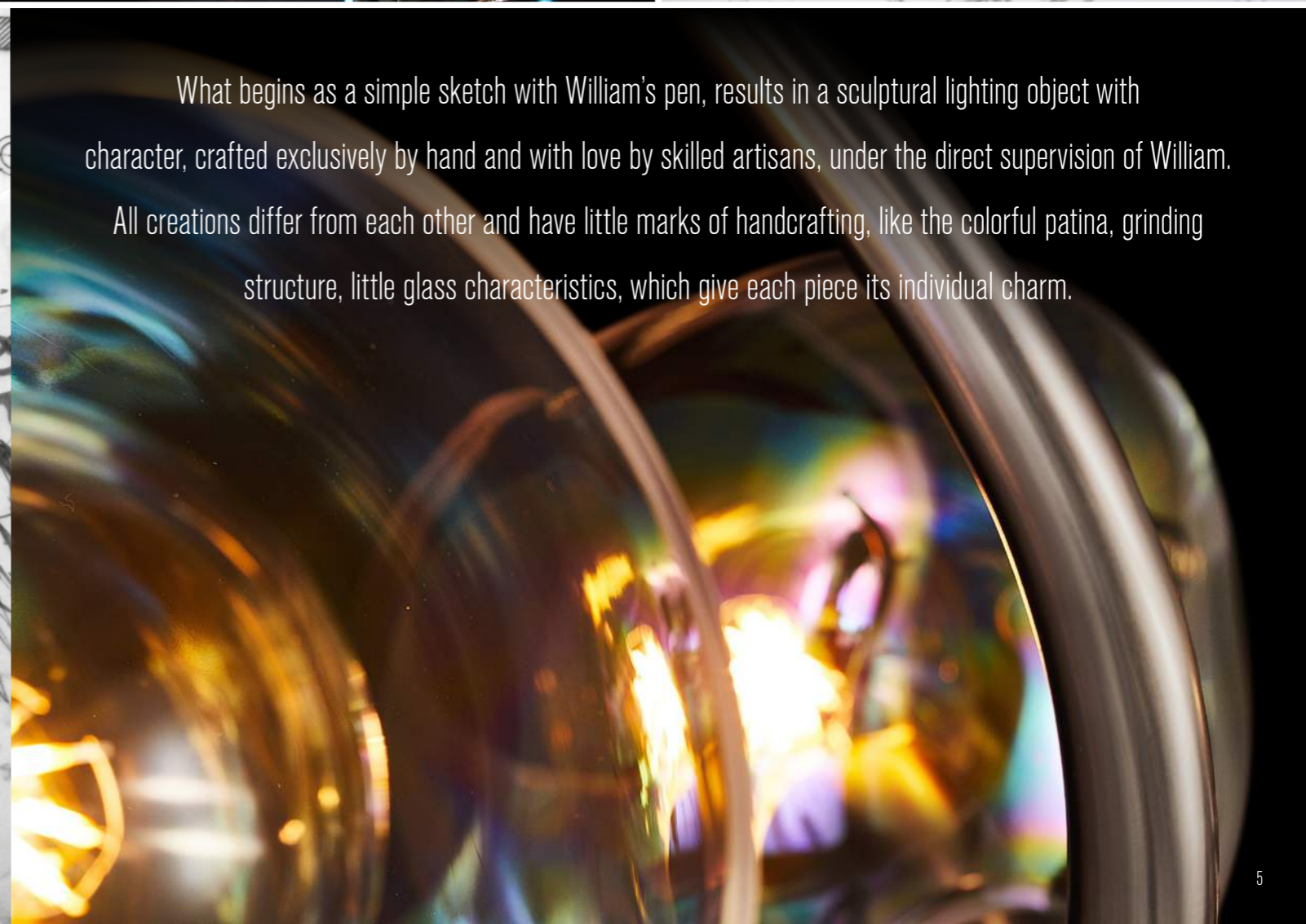
www.brandvanegmond.com

BRAND VAN EGMOND

"Every design of new collections follows the same sequence. After the first sketches, I quickly move towards the atelier and start working with new materials and shapes by myself. Of every collection I can still feel every curve and twist literally in my hands."



What begins as a simple sketch with William's pen, results in a sculptural lighting object with character, crafted exclusively by hand and with love by skilled artisans, under the direct supervision of William. All creations differ from each other and have little marks of handcrafting, like the colorful patina, grinding structure, little glass characteristics, which give each piece its individual charm.

















Brand van Egmond headquarters













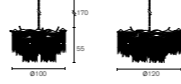



Content



BRAND VAN EGMOND-HEADQUARTERS

	COLLECTIONS	IMAGES COLLECTIONS	TECHNICAL DATA
	LINEA	10	286-291
	GALAXY	30	292-295
	ORPHEUS	42	296-298
	LOUISE	48	300-305
	ERSA	66	306-316
	SHIRO	100	318-321
	EVE	108	322-325
	FRACTAL	118	327-329
	FLINTSTONE	130	330-331
	KELP	134	332-341
	ARTHUR	152	343-346
	VICTORIA	162	349-352
	SULTANS OF SWING	174	355-359
	LA VIE EN ROSE	190	361-363

	COLLECTIONS	IMAGES COLLECTIONS	TECHNICAL DATA
	LOVE YOU LOVE YOU NOT	196	365-367
	FLOWER POWER	206	368-369
	ICY LADY	210	371-373
	CRYSTAL WATERS	216	375-376
	DELPHINIUM	224	379-381
	HOLLYWOOD	232	383-389
	HOLLYWOOD GLASS	252	391-392
	CUSTOMISED LIGHTING COLLECTIONS	264	
	EVERGREENS	276	
	OPTIONAL FINISHES	280	
	FOUNDER AND DESIGNER WILLIAM BRAND	282	
	CERTIFICATE	284	
	TECHNICAL INFO	286	
	GENERAL TERMS AND CONDITIONS	393	



Linea

Design by William Brand

CONTENT PAGE

TECHNICAL DATA

Truthful and pure, the Linea makes a precise yet playful statement through thin lines of beauty.

Floating through the sky, as if a magical formula brought to a standstill the whirlwind of steel, fire and light.

Frozen, both in time as well as in space.

Just like airplanes can leave a composition of line-shaped clouds -the passing proof of human movement in the air- the Linea is like a drawing of illuminating lines in the sky. Temporarily mid-air, permanently illuminating.

Creating a beautiful light is like good architecture: a matter of proportions.



LINC100BRBUR

Chandelier Round

(Ø100xH.75cm, brass burnished finish, 7 x S14D, 18.0kg)

Technical details page 287

* Due to the unique process of creating the finishes Brass Burnished, Brass Aged, Nickel Aged and Copper Burnished, lights that will be combined in the same space should be ordered at the same time, in order to prevent lights from looking slightly different from each other. Colours and finishes may appear slightly different by viewing in print or on screens.



LINW60BRBUR

Wall Lamp

(L.12xW.12xH.60 cm, brass burnished finish, 1 x S14D, 4.0kg)

Technical details page 289

LINC100BRBUR

Chandelier Round

(Ø100xH.75cm, brass burnished finish, 7 x S14D, 18.0kg)

Technical details page 287



LINC100GSF
Chandelier Round
(Ø100xH.75cm, gold satin finish, 7 x S14D, 18.0kg)
Technical details page 287

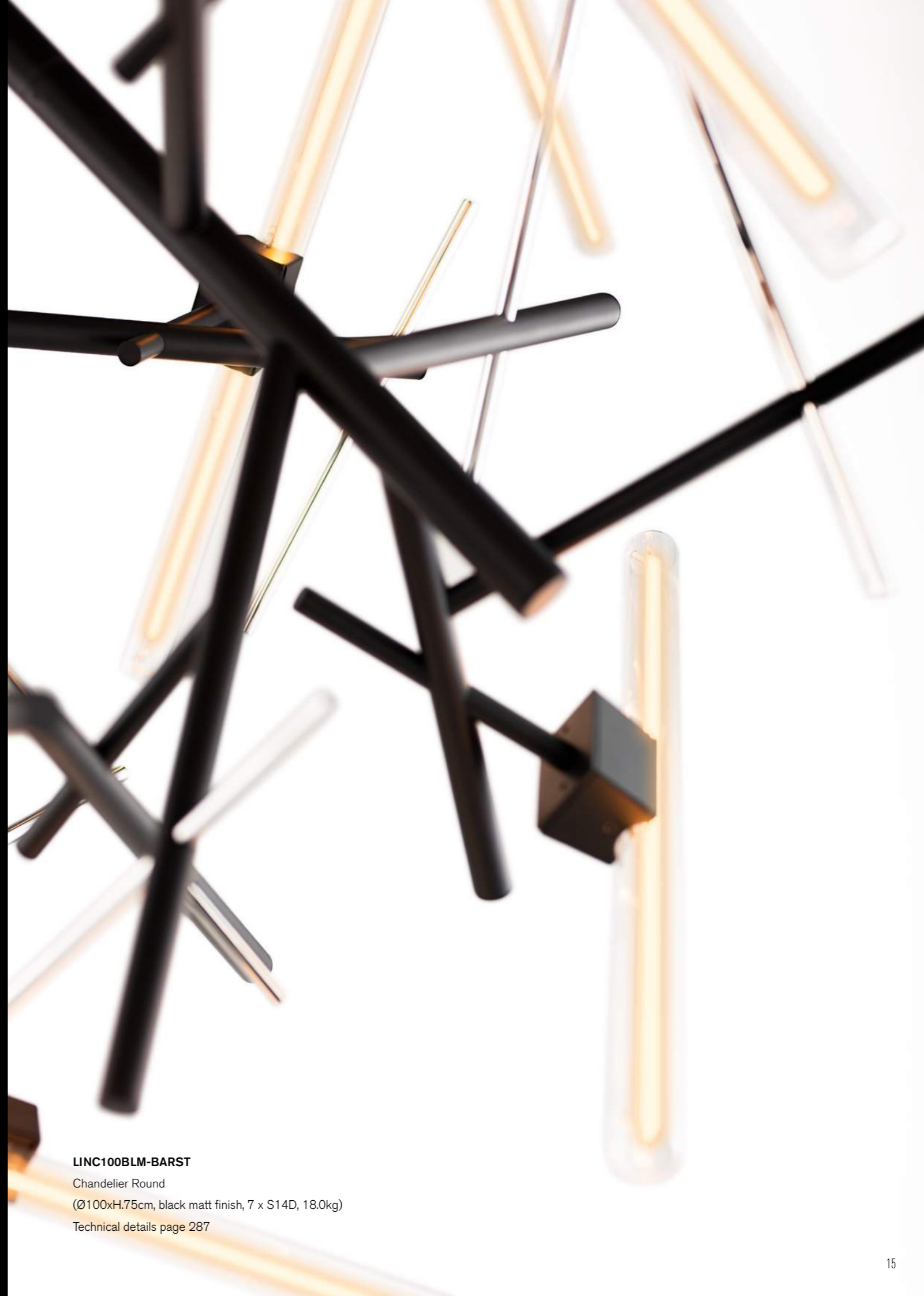


LINC100GSF
Chandelier Round
(Ø100xH.75cm, gold satin finish, 7 x S14D, 18.0kg)
Technical details page 287



LINC100BLM-BARST

Chandelier Round
(Ø100xH.75cm, black matt finish, 7 x S14D, 18.0kg)
Technical details page 287



LINC100BLM-BARST

Chandelier Round
(Ø100xH.75cm, black matt finish, 7 x S14D, 18.0kg)
Technical details page 287



LINLT50/70BLM and Customised LINLT50/70BR

Composition of 7 Linea Elements
(Ø95xH.65cm, black matt and brass finish, 5 x S14D, 6.0kg)
Technical details page 289



LINLT50/70BLM

Linea Element
(Ø95xH.65cm, black matt finish, 5 x S14D, 6.0kg)
Technical details page 289



Customised LINLT50/70BR and LINLTDL50/70BR

Composition of 2 Linea Elements and 3 Linea Elements with downlight

(Ø95xH.65cm, brass finish, 5 x S14D, 6.0kg and Ø95xH.65cm, brass finish, 5 x S14D, 1x GU10 spot downlight, 8.0kg)

Technical details page 289



Customised LINLT50/70BR

Linea Element

(Ø95xH.65cm, brass finish, 5 x S14D, 6.0kg)

Technical details page 289



LINLTDL50/70BLM

Composition of 3 Linea Elements with downlight

(Ø95xH.65cm, black matt finish, 5 x S14D, 1x GU10 spot downlight, 8.0kg)

Technical details page 289



LINLT50/70BLM

Linea Elements

(Ø95xH.65cm, black matt finish, 5 x S14D, 6.0kg)

Technical details page 289



LINLTDL30/40GSF
Linea Elements inline
(Ø40xH.35cm, gold satin finish, 3 x S14D, 1xGU10 spot, 2.5kg)
Technical details page 288

LINLT50/70GSF
Composition of 4 Linea Elements
(Ø95xH.65cm, gold satin finish, 5 x S14D, 8.0kg)
Technical details page 289





LINLT30/40GSF
Composition of 11 Linea Elements
(Ø40xH.35cm, gold satin finish, 3 x S14D, 2.5kg)
Technical details page 287



LINLTDL30/40GSF
Linea Elements
(Ø40xH.35cm, gold satin finish, 3 x S14D, 1xGU10 spot, 2.5kg)
Technical details page 287

LINHL180BLM
Linea Hanging Lamp Long
(L.180xW.70xH.45 cm, black matt finish, 8 x S14D, 4xGU10 spot, 24kg)
Technical details page 290



LINHL140BLM-BARBR

Linea Hanging Lamp Long

(L140xW.60xH.40cm, black matt finish, brass reflector bars, 6 x S14D, 3x GU10 spot downlight, 15.0 kg)

Technical details page 290



LINHL140BLM-BARBR

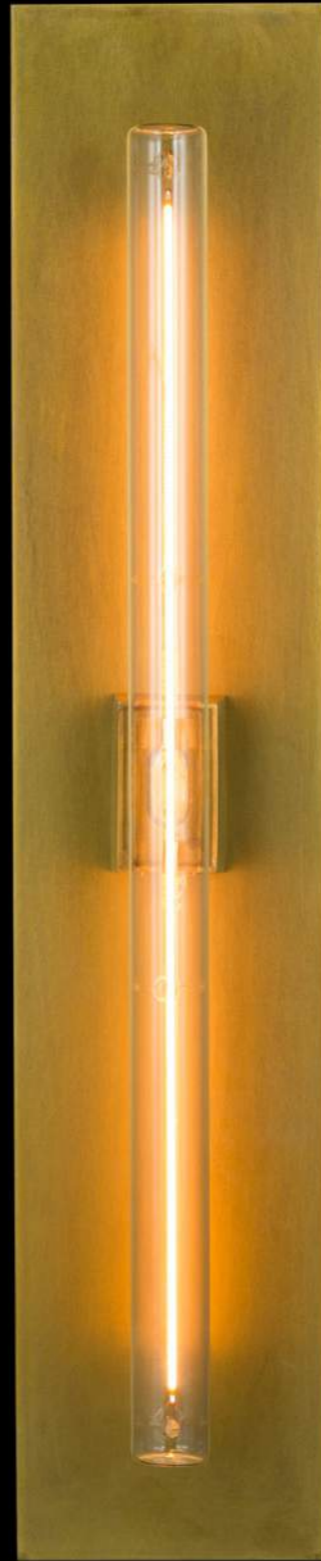
Linea Hanging Lamp Long

(L140xW.60xH.40cm, black matt finish, brass reflector bars, 6 x S14D, 3x GU10 spot downlight, 15.0 kg)

Technical details page 290



LINW60NAW
 Linea Wall Lamp
 (L.12xW.12xH.60 cm, nickel aged warm finish, 1 x S14D, 4.0kg)
 Technical details page 289



LINW60BRBUR
 Linea Wall Lamp
 (L.12xW.12xH.60 cm, brass burnished finish, 1 x S14D, 4.0kg)
 Technical details page 289



Due to the different voltage standards, the design of the lightbulbs E26 Tube Led for the Linea collection will differ in the regions where 110-120 voltage is the standard, as in for example the USA and Japan

LINC80BRU
 USA version
 Chandelier Round
 (Ø100xH.75cm, gold satin finish, 14 x E26, 18.0kg)
 Technical details page 287 (European model)



Galaxy

Design by William Brand

The galaxy is a constellation of energy, movement and form. Propelling away from the centre of gravity towards clouds of stardust and outer planets.

Avant-Garde by nature, the shapes and forms of the Galaxy relate to each other as the planets towards the sun. The artist and the dreamer both know, space is where an image grows.

The new collection Galaxy fell into the 21st century without a trace of regret from a different era, lightyears away. A lasting design has to have roots.

* Due to the unique process of creating the finishes Brass Burnished, Brass Aged, Nickel Aged and Copper Burnished, lights that will be combined in the same space should be ordered at the same time, in order to prevent lights from looking slightly different from each other. Colours and finishes may appear slightly different by viewing in print or on screens.



GALC100BR

Galaxy Chandelier Round
(Ø100xH.95 cm, brass finish, 5 x E27, 13.0kg)
Technical details page 293



GALC100BR
Galaxy Chandelier Round
(Ø100xH.95 cm, brass finish, 5 x E27, 13.0kg)
Technical details page 293



GALC100BR
Composition of 9 Galaxy Chandelier Round
(Ø100xH.95 cm, brass finish, 5 x E27, 13.0kg)
Technical details page 293



GALC80BRBUR

Composition of 2 Galaxy Chandelier Round
(Ø80xH.60 cm, brass burnished finish, 3 x E27, 8.0kg)

Technical details page 293



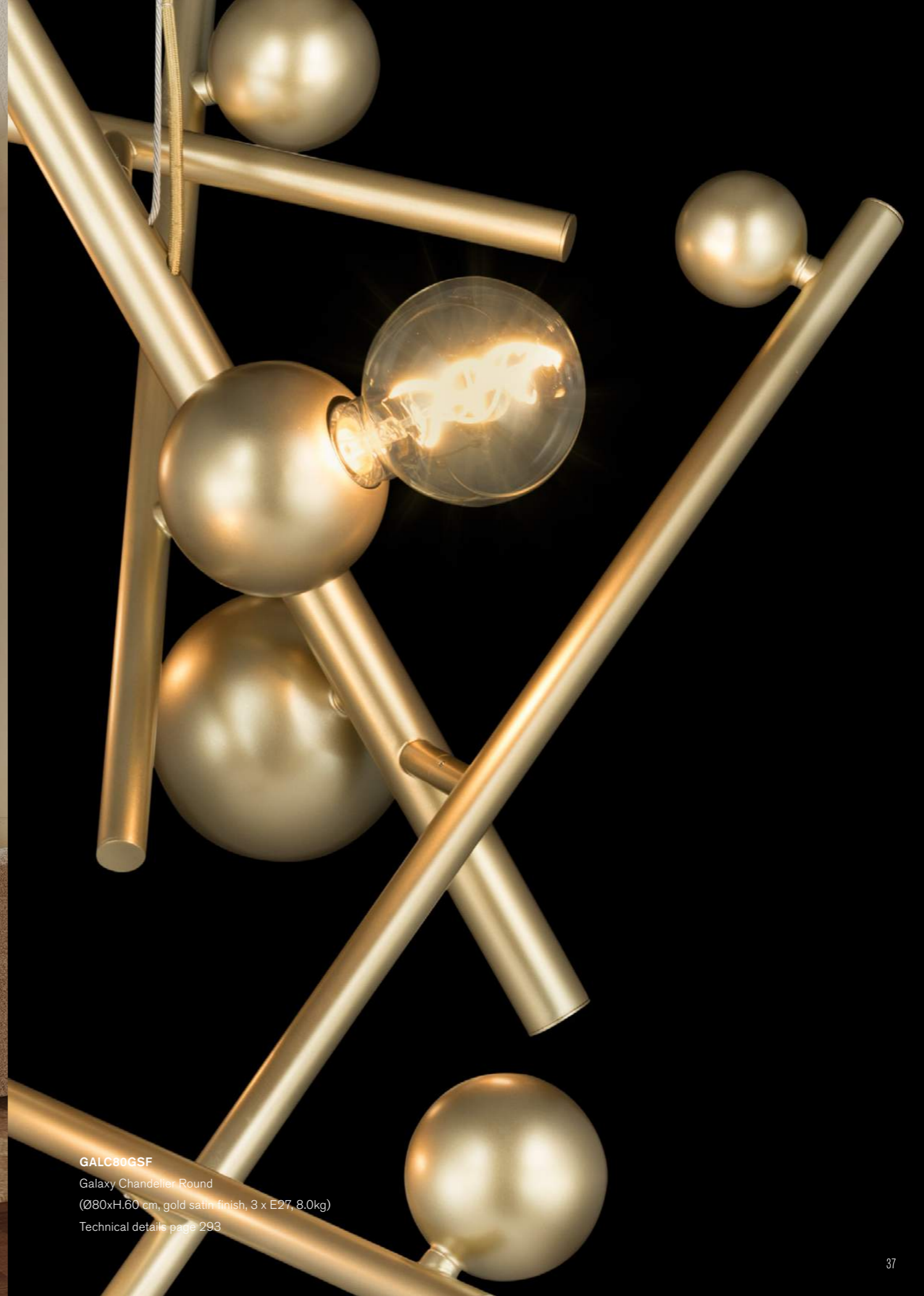
GALC80BRBUR

Galaxy Chandelier Round
(Ø80xH.60 cm, brass burnished finish, 3 x E27, 8.0kg)

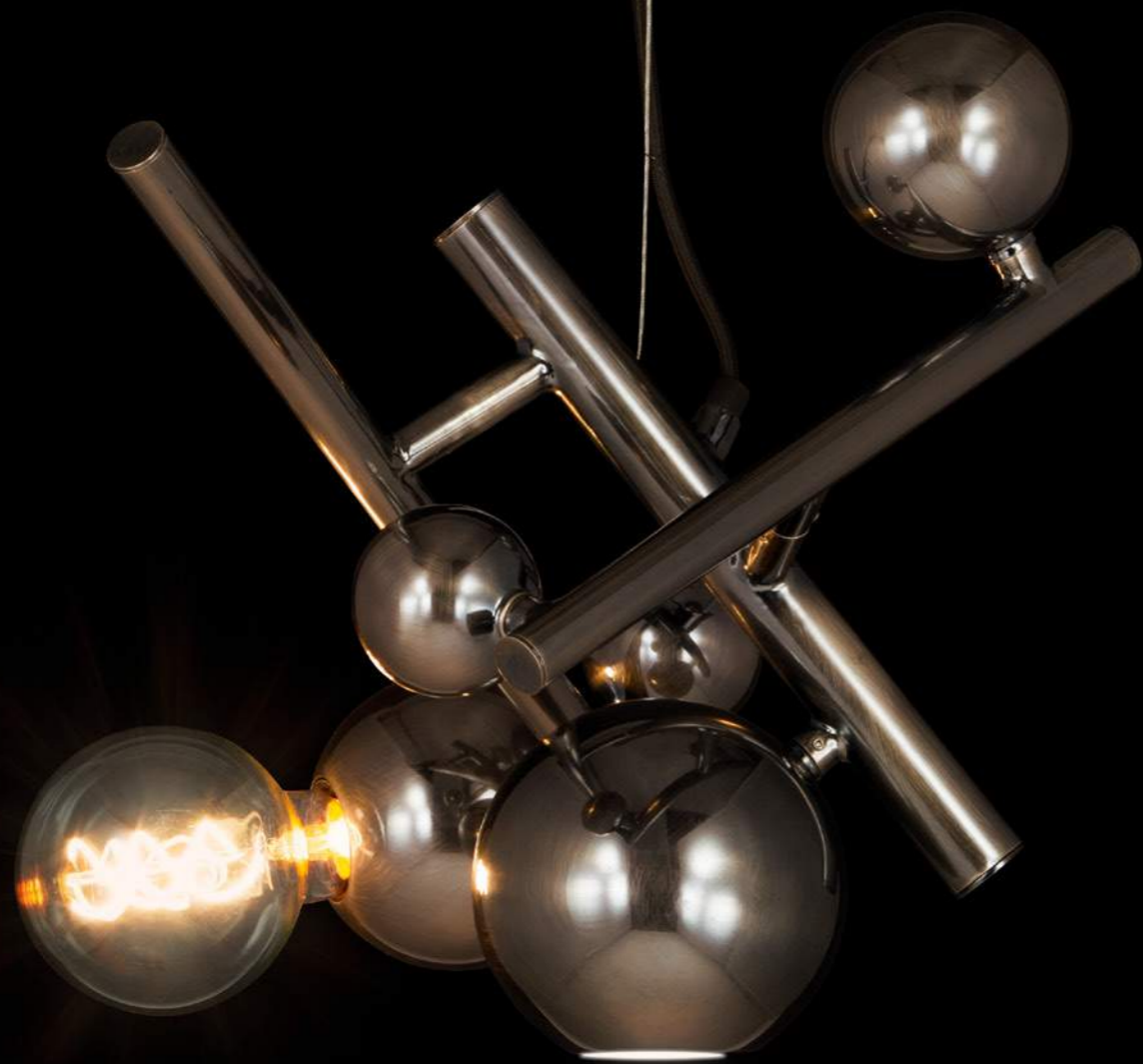
Technical details page 293



GALC80GSF
Galaxy Chandelier Round
(Ø80xH.60 cm, gold satin finish, 3 x E27, 8.0kg)
Technical details page 293



GALC80GSF
Galaxy Chandelier Round
(Ø80xH.60 cm, gold satin finish, 3 x E27, 8.0kg)
Technical details page 293



GALDL45NAW

Galaxy Element

(L.35xW.45xH.35 cm, nickel aged warm finish, 1x GU10 spot downlight, 1 x E27, 5.0kg)

Technical details page 293



GALDL45NAW

3 Galaxy Elements In line

(L.35xW.45xH.35 cm, nickel aged warm finish, 1x GU10 spot downlight, 1 x E27, 5.0kg)

Technical details page 293

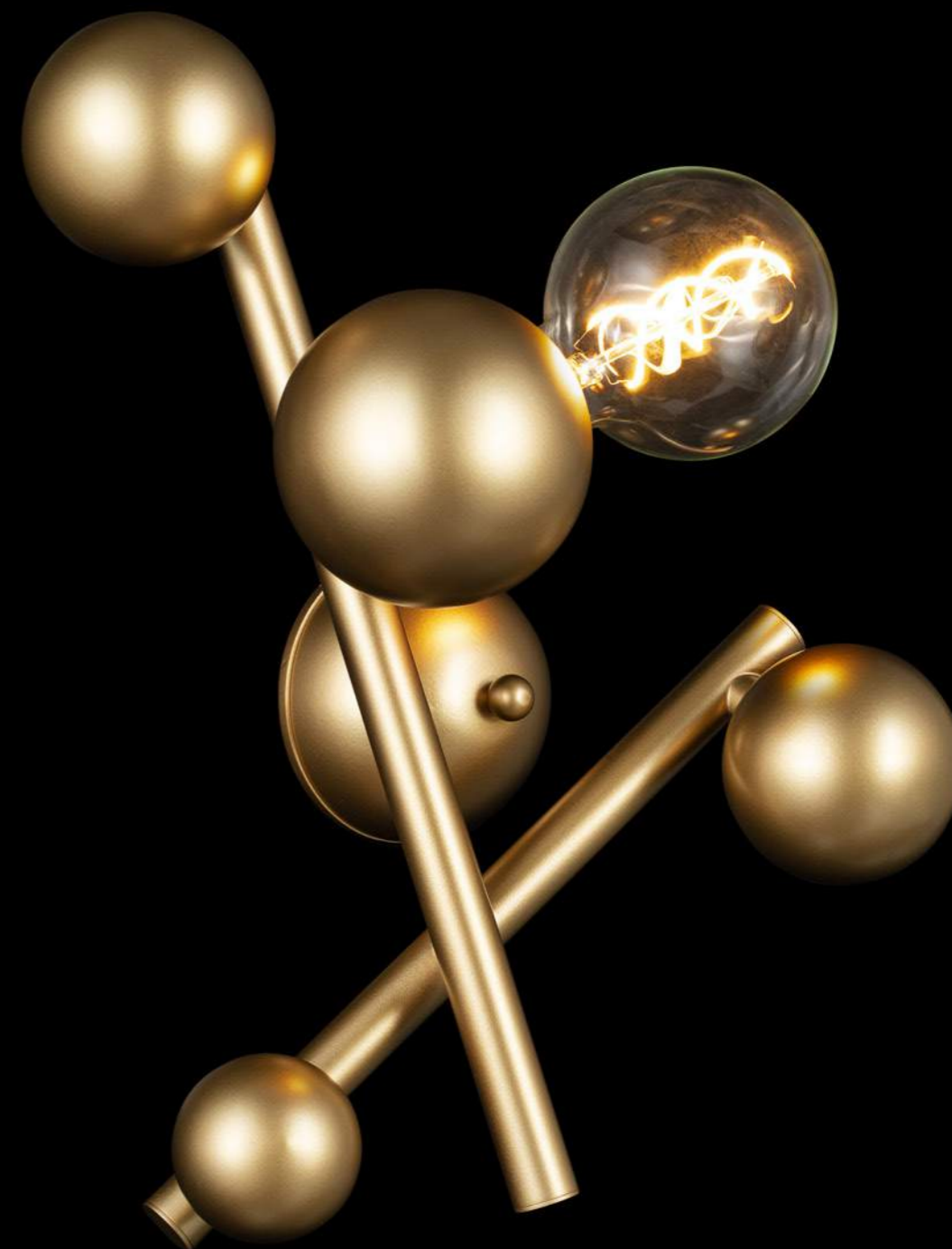


GALHL140BLM-LGBR

Galaxy Hanging Lamp Long

(L.140xW.50xH.40 cm, black matt finish, light globes in brass finish, 3x GU10 spot downlight, 4 x E27, 14.0kg)

Technical details page 294



GALW40GSF

Galaxy Wall Lamp

(W.32xH.40xD.20 cm, gold satin finish, 1 x E27, 2.2kg)

Technical details page 295



Orpheus

Design by William Brand

One of the most legendary poets and singers in Greek mythology is Orpheus. He sang so beautifully that he touched everyone and all around him. The King and Queen were moved to tears, but also the birds, trees and even the stones were hypnotized by his magical voice.

We have found several objects of desire amidst the nymphs and trees, and formed them into new lights. A precious stone, a golden mineral and a delicate porcelain rose: all captured in a protective embrace of casted bronze.



Composition of ORC35BDP-PYR and ORC35BDP-TWIG

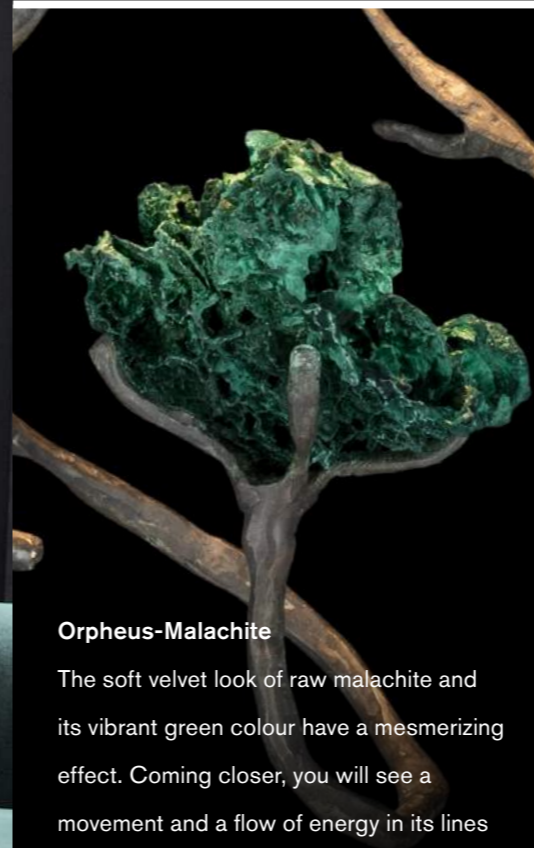
Orpheus-Pyrite Art Element and 2x Orpheus-Twig Art Element (Ø35xH.80 cm, cast bronze dark patina with Pyrite, 1x GU10, 4kg, 2xØ30xH.55 cm, cast bronze dark patina, 1x GU10, 3kg)
Technical details page 297

Due to the scarcity of (semi)precious stones and minerals, we need to check availability before an order can be confirmed. All (semi)precious stones differ from each other in size and shape.



Composition of ORC35BDP-MAL and OR14DL-BDP

Orpheus-Malachite and Orpheus- Downlight in line (3xORC35BDP-MAL, Ø35xH.80 cm, cast bronze dark patina with Malachite, 1x GU10, 4kg, 4xOR14DL-BDP, Ø6xH.14 cm, cast bronze dark patina, 1x GU10, 1kg)
Technical details page 297



Orpheus-Malachite

The soft velvet look of raw malachite and its vibrant green colour have a mesmerizing effect. Coming closer, you will see a movement and a flow of energy in its lines and circles.



Orpheus-Pyrite

An astonishing mineral, seemingly made by human hands but in fact found in nature, is called Pyrite. Given its strong resemblance to gold, it was nicknamed by gold diggers as 'fool's gold'. The surfaces reflect the light in a fabulous way; creating a splendour of golden light.



Orpheus-Amethyst

This precious stone, embraced through the millennia by ancient Greeks, Russian Tsars and English bishops is seen as a protector against dark magic, and a symbol for those in love.



ORC35BDP-PYR
Orpheus-Pyrite Art Element
(Ø35xH.80 cm, cast bronze dark patina with
Pyrite, 1x GU10, 4kg)
Technical details page 297



ORC35BDP-AM
Orpheus-Amethyst Art Element
(Ø35xH.80 cm, cast bronze dark patina with
Amethyst, 1x GU10, 4kg)
Technical details page 297



ORC35BDP-MAL
Orpheus-Malachite Art Element
(Ø35xH.80 cm, cast bronze dark patina with
Pyrite, 1x GU10, 4kg)
Technical details page 297



OR30-CANDBRA
Orpheus Element
(Ø30xH.57 cm, 1x E14, brass aged finish, 1x GU10 spot downlight, 3kg)
Technical details page 297



ORW60BDP-AM-R
Wall lamp
(W.20xH.60xD.20 cm, 1x E14, brass aged finish, 1x GU10 spot downlight, 6kg)
Technical details page 298

Due to the scarcity of (semi)precious stones and minerals, we need to check availability before an order can be confirmed. All (semi)precious stones differ from each other in size and shape.



Orpheus- Nymphenburg Art Element Limited Edition

The handcrafted rose is from Porzellan Manufaktur Nymphenburg, creating the finest porcelain for over 260 years. Crafted on the Nymphenburg palace grounds outside Munich, their handcrafted porcelain has been treasured by aristocracy and collectors from around the world



ORC35BDP-NYMR

2xOrpheus- Nymphenburg Art Element Limited Edition
 (Ø35xH.80 cm, cast bronze dark patina with Nymphenburg handmade rose, 1x GU10, 4kg)
 Technical details page 297



Louise

Design by William Brand

With almost carefree delight, William designed this Louise collection: A simple frame, decorated in a pleasing rhythm with glass lanterns.

A hint of chaos, never far away in designs from William Brand, is present: the different colours and positions of the glass lanterns have a joyful effect.



LO4BRBUR

Louise Hanging lamp in brass burnished finish with a bronze, satin, grey and iridescent glass lantern
(Ø60xH.78cm, brass burnished finish, 1x GLLOBRO22, 1x GLOGREY22, 1x GLOSAT22, 1x GLOIRI22, 4 x E27, 14.0kg)
Technical details page 302

* Due to the unique process of creating the finishes Brass Burnished, Brass Aged, Nickel Aged and Copper Burnished, lights that will be combined in the same space should be ordered at the same time, in order to prevent lights from looking slightly different from each other. Colours and finishes may appear slightly different by viewing in print or on screens.



LO3GSF

Louise Hanging lamp in gold satin finish with a satin, grey and iridescent glass lantern
(Ø60xH.70cm, gold satin finish, 1x GLOGREY22, 1x GLLOBRO22, 1x GLOSAT22, 3 x E27, 11.5kg)
Technical details page 302



LO4BRBUR

Louise Hanging lamp in brass burnished finish with a bronze, satin, grey and iridescent glass lantern

(Ø60xH.78cm, brass burnished finish, 1x GLLOBRO22 ,1x GLLOGREY22,1x GLLOSAT22, 1x GLLIIRI22, 4 x E27, 14.0kg)

Technical details page 302



LO5BRBUR

Louise Hanging lamp in brass burnished finish with a bronze, satin, grey and iridescent glass lantern

(Ø60xH.105cm, brass burnished finish, 1x GLLOBRO22 ,1x GLLOGREY22, 2x GLLOSAT22, 1x GLLIIRI22, 5 x E27, 18.0kg)

Technical details page 302



LO8BRBUR

Louise Hanging lamp in brass burnished finish with a bronze, satin, grey and iridescent glass lantern
(Ø60xH.205cm, brass burnished finish, 2x GLLBRO22 ,2x GLLGREY22, 2x GLLSAT22, 2x GLLIIRI22, 8 x E27, 28.0kg)
Technical details page 302





LO8BLM

Louise Hanging lamp in black matt finish with satin glass lanterns
(Ø60xH.205cm, brass burnished finish, 8x GLLOSAT22, 8 x E27, 28.0kg)
Technical details page 302





LOC80BRBUR

Louise Chandelier Round in brass burnished finish with a bronze, satin, grey and iridescent glass lantern
 (Ø82xH.53 cm, brass burnished finish, 3x GLOBRO22 ,1x GLOGREY22,1x GLOSAT22, 2x GLOIRI22, 7 x E27, 25.0kg)
 Technical details page 301



LOC80BRBUR

Louise Chandelier Round in brass burnished finish with a bronze, satin, grey and iridescent glass lantern
 (Ø82xH.53 cm, brass burnished finish, 3x GLOBRO22 ,1x GLOGREY22,1x GLOSAT22, 2x GLOIRI22, 7 x E27, 25.0kg)
 Technical details page 301

LOF200BRBUR

Floor Lamp in brass burnished finish with a bronze, satin and iridescent glass lantern
 (Ø50xH.202 cm, brass finish, 1x GLOBRO22, 1x GLOSAT22, 1x GLOIRI22, 3 x E27, 16.0kg)
 Technical details page 305



LOHL140BR

Hanging Lamp Long in brass finish with 10 iridescent glass lanterns
(L.140xW.55xH.62 cm, brass finish, 10x GLLIIRI22, 10 x E27, 32.0kg)
Technical details page 303



LOHL140BRBUR

Hanging Lamp Long in brass burnished finish with bronze, satin, grey and iridescent glass lantern
(L.140xW.55xH.62 cm, brass burnished finish, 3x GLLIIRI22, 2x GLLIIRI22, 2x GLLIIRI22, 3x GLLIIRI22, 0 x 10x E27, 32.0kg)
Technical details page 303



LO1BRBUR with GLLOSAT22

Louise Hanging lamp in brass burnished finish, satin glass lantern
(Ø22xH.36cm, brass burnished finish, 1x GLLOSAT22, 1 x E27, 2.4kg)
Technical details page 302



LO1BRBUR with GLOGREY22

Louise Hanging lamp in brass burnished finish, grey glass lantern
(Ø22xH.36cm, brass burnished finish, 1x GLOGREY22, 1 x E27, 2.4kg)
Technical details page 302



LO1BRBUR with GLOBRO22

Louise Hanging lamp in brass burnished finish, bronze glass lantern
(Ø22xH.36cm, brass burnished finish, 1x GLOBRO22, 1 x E27, 2.4kg)
Technical details page 302



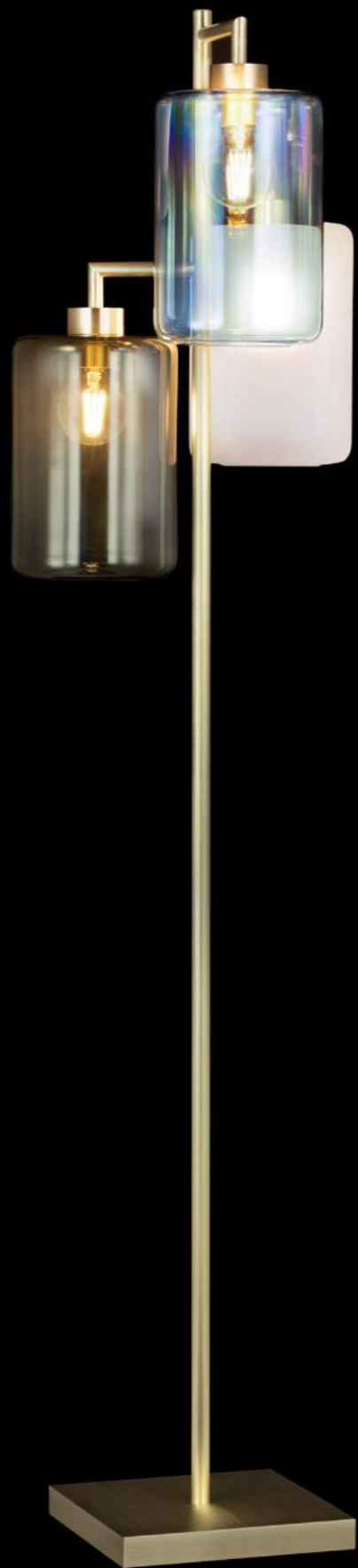
LO1BRBUR with GLOIRI22

Louise Hanging lamp in brass burnished finish, iridescent glass lantern
(Ø22xH.36cm, brass burnished finish, 1x GLOIRI22, 1 x E27, 2.4kg)
Technical details page 302



LO1BRBUR with GLLOSAT22

Louise Hanging lamp in brass burnished finish, satin glass lantern
(Ø22xH.36cm, brass burnished finish, 1x GLLOSAT22, 1 x E27, 2.4kg)
Technical details page 302



LOF200BRBUR

Floor Lamp in brass burnish finish with a bronze, satin and iridescent glass lantern
(Ø50xH.202 cm, brass finish, 1x GLOBRO22, 1x GLOSAT22, 1x GLOIRI22, 3 x E27, 16.0kg)
Technical details page 305



LOT75BRBUR with GLOBRO22

Louise Table Lamp in brass burnished finish with a bronze glass lantern
(L.35xW.22xH.76 cm, brass burnished finish, 1x GLOBRO22, 1 x E27, 8.0kg)
Technical details page 304



LOT75NAW with GLOGREY22

Louise Table Lamp in nickel aged finish with a Grey glass lantern
(L.35xW.22xH.76 cm, nickel warm aged finish, 1x GLOGREY22, 1 x E27, 8.0kg)
Technical details page 304



LOP60BRBUR

Louise Ceiling Lamp Round in brass burnished finish with a bronze, grey and iridescent glass lantern (Ø60xH.50 cm, brass burnished finish, 1x GLOBRO22 ,1x GLOGREY22, 1x GLOIRI22, 3 x E27, 10.0kg)
 Technical details page 304



LOP60NAW

Louise Ceiling Lamp Round in nickel aged warm finish with a satin, grey and iridescent glass lantern (Ø60xH.50 cm, nickel aged warm finish, 1x GLOSAT22 ,1x GLOGREY22, 1x GLOIRI22, 3 x E27, 10.0kg)
 Technical details page 304



LOW60BRBUR with GLOBRO22

Louise Wall Lamp in brass burnished finish with a bronze glass lantern (L.22xW.30xH.48 cm, brass burnished finish, 1x GLOBRO22, 1 x E27, 4.0kg)
 Technical details page 305



LOW60NAW with GLOBRO22

Louise Wall Lamp in nickel aged warm finish with a bronze glass lantern (L.22xW.30xH.48 cm, nickel aged warm finish, 1x GLOBRO22, 1 x E27, 4.0kg)
 Technical details page 305



LOW60NAW with GLOIRI22

Louise Wall Lamp in nickel aged warm finish with an iridescent glass lantern (L.22xW.30xH.48 cm, brass burnished finish, 1x GLOIRI22, 1 x E27, 4.0kg)
 Technical details page 305



LOW60BRBUR with GLOSAT22

Louise Wall Lamp in brass burnished finish with a satin glass lantern (L.22xW.30xH.48 cm, brass burnished finish, 1x GLOSAT22, 1 x E27, 4.0kg)
 Technical details page 305



Ersa

Design by William Brand

A fresh breath of air whispers through the handcrafted branches of the Ersa. Capturing that brief moment of morning glory, when small drops of dew in nature can be found before disappearing in the air of a new born day.

Ersa derives her name from the ancient Greek's goddess of morning dew. Small dewdrops act as nature's perfume.



ERSAC100BRBUR-GLBRO

Ersa Chandelier Round with bronze translucent glass spheres
(Ø110x H.65 cm, brass burnished finish, 7 x E27, 23kg)

Technical details page 307

* Due to the unique process of creating the finishes Brass Burnished, Brass Aged, Nickel Aged and Copper Burnished, lights that will be combined in the same space should be ordered at the same time, in order to prevent lights from looking slightly different from each other. Colours and finishes may appear slightly different by viewing in print or on screens.



ERSAC100N-GLCLE

Ersa Chandelier Round with clear glass spheres
(Ø110x H.65 cm, nickel finish, 7 x E27, 23kg)

Technical details page 307



ERSAC120N-GLIRI

Ersa Chandelier Round with iridescent glass spheres
(Ø120xH.65 cm, nickel finish, 10 x E27, 32kg)

Technical details page 308

ERSAC120N-GLIRI

Ersa Chandelier Round with iridescent glass spheres
(Ø120xH.65 cm, nickel finish, 10 x E27, 32kg)

Technical details page 308





ERSAC100BLM-GLBRO

Ersa Chandelier Round with bronze translucent glass spheres
(Ø110x H.65 cm, black matt finish, 7 x E27, 23kg)
Technical details page 307



ERSAC80BRBUR-GLIRI

Ersa Chandelier Round with iridescent glass spheres
(Ø80xH.55 cm, brass burnished finish, 5 x E27, 15kg)
Technical details page 307



ERSA4BR-GLBRO

Ersa Chandelier Round with bronze translucent glass spheres
(L.80xW.55xH.50 cm, brass finish, 4 x E27, 11kg)
Technical details page 307



ERSAC80N-GLIRI

Ersa Chandelier Round with iridescent glass spheres
(Ø80xH.55 cm, nickel finish, 5 x E27, 15kg)
Technical details page 307



ERSACC90N-GLIRI

Ersa Chandelier Conical with iridescent glass spheres.
(Ø90xH.120 cm, nickel finish, 9 x E27, 35kg)
Technical details page 309



ERSACC90N-GLIRI

Ersa Chandelier Conical with iridescent glass spheres.
(Ø90xH.120 cm, nickel finish, 9 x E27, 35kg)
Technical details page 309



ERSAOC140BRBUR-GLIRI

Ersa Chandelier Oval with iridescent glass spheres
(L.140xW.60xH.55 cm, brass burnished finish, 7 x E27, 22kg)
Technical details page 310



ERSAOC140BRBUR-GLIRI

Ersa Chandelier Oval with iridescent glass spheres
(L.140xW.60xH.55 cm, brass burnished finish, 7 x E27, 22kg)
Technical details page 310



CUSTOMISED ERSAC140BLM-GLSAT

Ersa Chandelier Oval with white satin glass spheres
(L.140xW.60xH.55 cm, black matt finish, 7 x E27, 22kg)
Technical details page 310



ERSAV110N-GLIRI

Ersa Suspension Vertical with iridescent glass spheres
(Ø60xH.110 cm, nickel finish, 5 x E27, 16kg)
Technical details page 311



ERSAV110BR-GLIRI

Composition of 2 ERSAV110BR-GLIRI with iridescent glass spheres
(Ø60xH.110 cm, brass finish, 5 x E27, 16kg)
Technical details page 311



ERSAV130BRBUR-GLIRI

Ersa Suspension Vertical with iridescent glass spheres
(Ø90xH.130 cm, brass burnished finish, 8 x E27, 27kg)
Technical details page 311



ERSAV130BRBUR-GLIRI

Ersa Suspension Vertical with iridescent glass spheres
(Ø90xH.130 cm, brass burnished finish, 8 x E27, 27kg)
Technical details page 311



ERSAHL150N-GLCLE

Ersa Hanging Lamp Long with clear glass spheres
(L.155xW.45xH.35 cm, nickel finish, 5 x E27, 15kg)
Technical details page 312



ERSAHL150N-GLCLE

Ersa Hanging Lamp Long with clear glass spheres
(L.155xW.45xH.35 cm, nickel finish, 5 x E27, 15kg)
Technical details page 312



ERSAHL150NAW-GLIRI

Ersa Hanging Lamp Long with iridescent glass spheres
(L.150xW.45xH.35 cm, nickel aged warm finish, 5 x E27, 15kg)
Technical details page 312



ERSAHL150NAW-GLIRI

Ersa Hanging Lamp Long with iridescent glass spheres
(L.150xW.45xH.35 cm, nickel aged warm finish, 5 x E27, 15kg)
Technical details page 312



ERSAHL150NAW-GLIRI

Ersa Hanging Lamp Long with iridescent glass spheres
(L.150xW.45xH.35 cm, nickel aged warm finish, 5 x E27, 15kg)
Technical details page 312



ERSA3BRBUR-GLBRO

Ersa Element with bronze translucent glass spheres,
(L.65xH.60xD.55 cm, brass burnished finish, 3 x E27, 10kg)
Technical details page 316



COMPOSITION OF 3X ERS2BR-GLIRI

Ersa Elements with iridescent glass spheres
(L.60xH.60xD.55 cm, brass finish, 2 x E27, 8kg)
Technical details page 316



COMPOSITION OF 4X ERS1BLM-GLIRI

4 Ersa Elements Inline with iridescent glass spheres
(L.35xH.50xD.30 cm, black matt finish, 1 x E27, 6kg)

Technical details page 316



ERS1BLM-GLIRI

Ersa Element with iridescent glass sphere
(L.35xH.50xD.30 cm, black matt finish, 1 x E27, 6kg)

Technical details page 316



ERSACP80BRBUR-GLBRO

Ersa Ceiling Chandelier with bronze translucent glass spheres
(Ø80xH.60 cm, brass burnished finish, 5 x E27, 13kg)

Technical details page 314



ERSACP80BRBUR-GLBRO

Ersa Ceiling Chandelier with bronze translucent glass spheres
(Ø80xH.60 cm, brass burnished finish, 5 x E27, 13kg)

Technical details page 314



ERSAP60BR-GLBRO

Ersa Ceiling Lamp Round with bronze translucent glass spheres
(Ø60xH.25 cm, brass finish, 3 x E27, 10kg)
Technical details page 313



ERSAP60N-GLIRI

Ersa Ceiling Lamp Round with iridescent glass spheres
(Ø60xH.25 cm, nickel finish, 3 x E27, 10kg)
Technical details page 313



ERSAW30N-GLCLE-L

Ersa Wall Lamp with clear glass sphere
(W.30xH.45xD.29 cm, nickel finish, 1 x E27, 4kg, left version)
Technical details page 315

ERSAHL150N-GLCLE

Ersa Hanging Lamp Long with clear glass spheres
(L.155xW.45xH.35 cm, nickel finish, 5 x E27, 15kg)
Technical details page 310



ERSAF200N-GLIRI

Ersa Floor Lamp with iridescent glass spheres
(Ø40xH.205cm, nickel finish, 3 x E27, 24kg)
Technical details page 314



ERSAF200BRBUR-GLBRO

Ersa Floor Lamp with bronze translucent glass spheres
(Ø40xH.205cm, brass burnished finish, 3 x E27, 24kg)
Technical details page 314



Shiro

Design by William Brand

By means of the deduction of every unnecessary layer of decoration, a calmness of mind appears allowing for a collection to be born. The Shiro – Japanese for castle - is the result of a journey of deconstruction.

Stripped of all but the bare yet beautiful essentials, this new collection permits for a well composed equilibrium.

It allows serenity to triumph over chaos.



SHSR100BRBUR

Shiro Suspension Ring

(Ø 115cm, H 33cm, brass burnished finish, 18 x E14, 23kg)

Technical details page 319

* Due to the unique process of creating the finishes Brass Burnished, Brass Aged, Nickel Aged and Copper Burnished, lights that will be combined in the same space should be ordered at the same time, in order to prevent lights from looking slightly different from each other. Colours and finishes may appear slightly different by viewing in print or on screens.



SHSR100BRBUR

Shiro Suspension Ring

(Ø 115cm, H 33cm, brass burnished finish, 18 x E14, 23kg)

Technical details page 319



SHSV200BRBUR

Shiro Suspension Vertical

(Ø22xH.210 cm, brass burnished finish, 12 x E14, 1xGU10 downlight, 16kg)

Technical details page 320

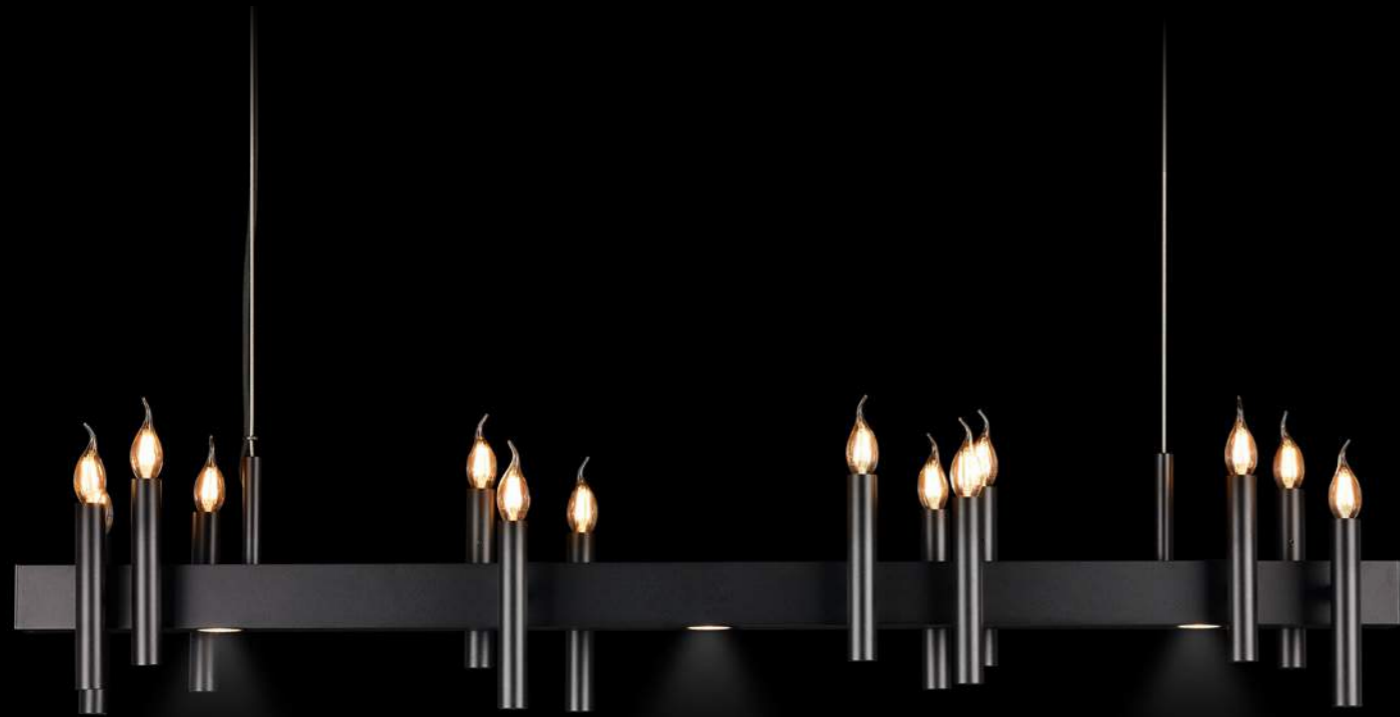


COMPOSITION OF 2XSHSV70BRBUR

Shiro Suspension Vertical

(Ø22xH.80 cm, brass burnished finish, 6 x E14, 1xGU10 downlight, 8kg)

Technical details page 320



SHSH150BLM

Shiro Suspension Horizontal

(L.150xW.22xH.33 cm, black matt finish, 3x GU10 spot downlight, 14 x E14, 15kg)

Technical details page 319



SHSH150BLM

Shiro Suspension Horizontal

(L.150xW.22xH.33 cm, black matt finish, 3x GU10 spot downlight, 14 x E14, 15kg)

Technical details page 319



SHSH150BRBUR

Shiro Suspension Horizontal

(L.150xW.22xH.33 cm, brass burnished finish, 3x GU10 spot downlight, 14 x E14, 15kg)

Technical details page 319



SHW34BRBUR

Shiro Wall Lamp

(W.12xH.34xD.9 cm, brass burnished finish, 1 x E14, 2kg)

Technical details page 320



Eve

Design by William Brand

To be human, is to be aware that there are forces greater than ourselves. From the majestic power of nature, until the longings deep within our soul.

With an elegant twist, although with an undeniable force behind it, the Eve is crafted.

The fruit she carries is tempting....

will the apple be eaten, or not?

Due to the unique process of creating the finishes Brass Burnished, Brass Aged, Nickel Aged and Copper Burnished, lights that will be combined in the same space should be installed at the same time, in order to prevent lights from looking slightly different from each other. Colours and finishes may appear slightly different by viewing in print or on screens.



EVEOC140GSF

Eve Chandelier Oval

(L.140xW.60xH.60cm, gold satin finish, 12 x E14, 28kg)

Technical details page 324



EVEC100N

Eve Chandelier Round

(Ø100xH.60cm, nickel finish, 14 x E14, 31kg)

Technical details page 325



EVECOC120GSF

Eve Chandelier Oval

(L.120xW.60xH.60cm, gold satin finish, 10 x E14, 28kg)

Technical details page 324



Customised EVEC100BR

Eve Chandelier Round

(Ø100xH.60cm, brass finish, 14 x E14, 31kg)

Technical details page 325



Customised EVEC100COP

Customised Eve Chandelier Round

(Ø100xH.60cm, copper finish, 14 x E14, 31kg)

Technical details page 325



EVEOC140N

Eve Chandelier Oval

(L.140xW.60xH.60cm, nickel finish, 12 x E14, 28kg)

Technical details page 324



EVECC70BRBUR

Eve Chandelier Conical

(Ø70xH.80cm, brass burnished finish, 12 x E14, 26kg)

Technical details page 323



EVECC70BLM-LGBR

Eve Chandelier Conical

(Ø70xH.80cm, black matt finish with brass light globes, 12 x E14, 26kg)

Technical details page 323



EVECC70BLM-LGBR

Eve Chandelier Conical

(Ø70xH.80cm, black matt finish with brass light globes, 12 x E14, 26kg)

Technical details page 323



Fractal

Design by William Brand

Our brains are set up to bring order in chaos, find logic in confusion and recognise patterns in the opaque. However, what to make of the puzzle of the exact yet endless repetition found at times around us?

Fractal is a natural phenomenon as well as a mathematical set that exhibits a repeating pattern.

The organised chaos of the reflecting elements of the Fractal dispenses the light beautifully in all directions.

The finishes are stainless steel, brass grinded, black matt and white matt.



FRACC100BRG

Fractal Chandelier Round

(Ø100xH.45 cm, 12 x E14, brass grinded finish, 27 kg)

Technical details page 327

* Due to the unique process of creating the finishes Brass Burnished, Brass Aged, Nickel Aged and Copper Burnished, lights that will be combined in the same space should be ordered at the same time, in order to prevent lights from looking slightly different from each other. Colours and finishes may appear slightly different by viewing in print or on screens.



FRACC100BRG

Fractal Chandelier Round

(Ø100xH.45 cm, 12 x E14, brass grinded finish, 27 kg)

Technical details page 327



downlight

downlight

downlight

CUSTOMISED FRACTAL

Customised Fractal Chandelier Oval

(L.140xW.55xH.60 cm, brass grinded finish, 3x GU10 spot downlight, 12x E14, 50 kg)



FRACC100ST

Fractal Chandelier Round
(Ø100xH.45 cm, 12 x E14, stainless steel, 27 kg)
Technical details page 327



FRACC80BLM

Fractal Chandelier Round
(Ø80xH.35 cm, 10 x E14, black matt finish, 19 kg)
Technical details page 327





Fractal Cloud

Design by William Brand

Available in 55 cm and 70 cm, carrying 3 lights inside.



* Due to the unique process of creating the finishes Brass Burnished, Brass Aged, Nickel Aged and Copper Burnished, lights that will be combined in the same space should be ordered at the same time, in order to prevent lights from looking slightly different from each other. Colours and finishes may appear slightly different by viewing in print or on screens.



FRACHR55BRG

Fractal Cloud Hanging Lamp

(Ø55xH.60 cm, 3 x E27, brass grinded finish, 13kg)

Technical details page 329



CUSTOMISED FRACHR55BR

Customised Fractal Cloud Hanging Lamp
(Ø55xH.60 cm, 3 x E27, brass finish, 13kg)
Technical details page 329



FRACHR55BRG

Fractal Cloud Hanging Lamp
(Ø55xH.60 cm, 3 x E27, brass grinded finish, 13kg)
Technical details page 329

FRACHR55BLM

Fractal Cloud Hanging Lamp
(Ø55xH.60 cm, 3 x E27, black matt finish, 13kg)
Technical details page 329



FRACHR55ST

Fractal Cloud Hanging Lamp
(Ø55xH.60 cm, 3 x E27, stainless steel, 13kg)
Technical details page 329



Customised FRACTAL

Customised Fractal Chandelier Long
(L.200xW.50xH.50 cm, brass finish, 23 x E14, 55kg)



Flintstone

Design by William Brand

Retracing our steps through the millennia to the beginning of times, we find ourselves back at the fireplace in the prehistoric cave. Here we realise that the most primal of our needs are safety and warmth. The tree branch and the stone, found at the end of this journey back in time, are combined in this lighting object. Every stone is unique, and captures the emotion of eternity as well as being used as a functional counterweight.

The branch of the Flintstone is flexible, allowing the light to be adjusted and easily moved through space.

The length of the branch can be ordered in different sizes.

* Due to the unique process of creating the finishes Brass Burnished, Brass Aged, Nickel Aged and Copper Burnished, lights that will be combined in the same space should be ordered at the same time, in order to prevent lights from looking slightly different from each other. Colours and finishes may appear slightly different by viewing in print or on screens.



FLINTF160BRBUR

Flintstone Floor Lamp, L.160xW.40xH.235 cm,
brass burnished finish, 1 x E27, 40kg
Technical details page 331



CUSTOMISED FLINTF70BLM

Customised Flintstone Floor Lamp, L.70xW.40xH.235 cm, black matt finish, 1 x E27, 40kg,
There is the possibility to order the rock in a 24K gold leaf finish.
Technical details page 331



FLINTF70N

Flintstone Floor Lamp, L.130xW.40xH.235 cm, nickel finish, 1 x E27, 40kg
Technical details page 331



Kelp

Design by William Brand

Frivolous and light-hearted, spirited and energetic; the arched and curved Kelp dances through the air. The light sparkles warmly as in a crackling open fire, bringing an exhilarating sense to any space.

Imagine yourself submerged in a vast tropical ocean, at awe with the unexpected colours and forms in this to you previously unknown world.

Dive one level deeper, and be amazed by the surprising beauty of organisms floating by.

As nature comes in many forms, the Kelp can be ordered in different shapes and sizes. The possibilities are endless. Use the Kelp elements in any variety you like, as a single object or a dancing composition by entwining various objects together.



100KELPCOP

Composition of 3 100Kelp Elements
(L.80xW.100xH.80 cm, 5 x E14, copper finish, 15 kg)

Technical details page 339

* Due to the unique process of creating the finishes Brass Burnished, Brass Aged, Nickel Aged and Copper Burnished, lights that will be combined in the same space should be ordered at the same time, in order to prevent lights from looking slightly different from each other. Colours and finishes may appear slightly different by viewing in print or on screens.



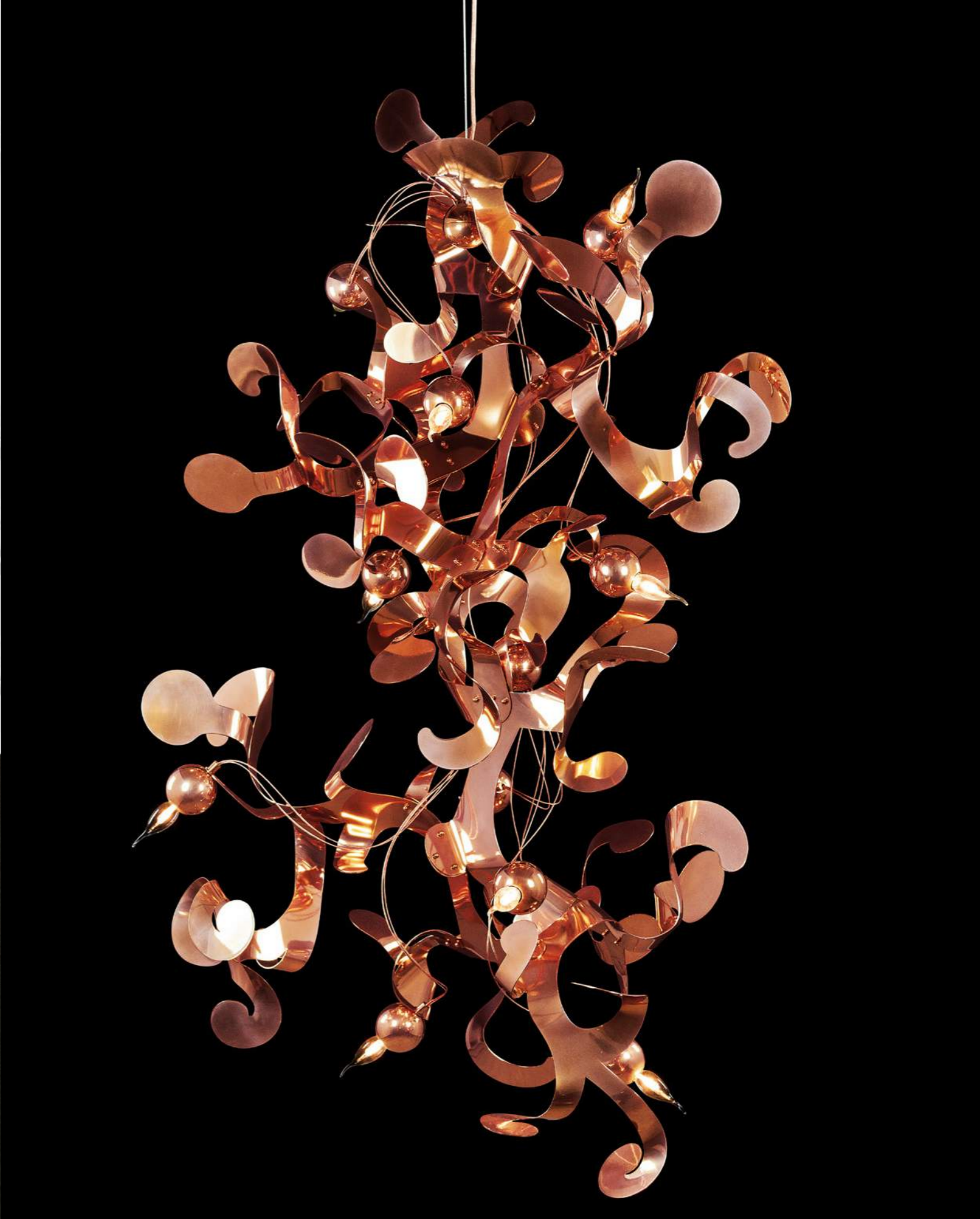
100KELPCOP

Kelp Element
(L.80xW.100xH.80 cm, 5 x E14, copper finish, 15 kg)

Technical details page 339



100KELPCOP
Kelp Element
(L.80xW.100xH.80cm, 5x E14, copper finish, 15kg)
Technical details page 339



Customised 100KELPCOP
Customised Kelp Element
(L.80xW.100xH.160 cm, 10 x E14, copper finish, 35 kg)



100KELPBLM

Kelp Element

(L.80xW.100xH.80cm 5x E14, black matt finish, 15kg)

Technical details page 339



100KELPBRA

Kelp Element

(L.80xW.100xH.80 cm, 5 x E14, brass aged finish, 15 kg)

Technical details page 339



3X 100KELPBR

Composition of 3 100Kelp Elements

(L.150xW.150xH.150 cm, 15x E14, brass finish, 25kg)

Technical details page 339



100KELPBR

Kelp Element

(L.80xW.100xH.80 cm, 5 x E14, brass finish, 15 kg)

Technical details page 339



Composition of 25KELP in line

3x25KELPCOP and 2x25KELPBLM-LGCOP Elements

Technical details page 339



25KELPCOP

Kelp Element

(L.25xW.25xH.35 cm, copper finish, 2 x E14, 1,5 kg)

Technical details page 339

50KELPBLM

Kelp Element

(L.40xW.40xH.50 cm, black matt finish, 2 x E14, 2 kg)

Technical details page 339



50KELPWM

Kelp Element

(L.40xW.40xH.50 cm, white matt finish, 2 x E14, 2 kg)

Technical details page 339

50KELPBRA

Kelp Element

(L.40xW.40xH.50 cm, brass aged finish, 2 x E14, 2 kg)

Technical details page 339



KELPCC80ST

Kelp Chandelier Conical

(Ø80xH.90 cm, stainless steel, 10 x E14, 30 kg)

Technical details page 333



KELPCC80BLM-LGBR

Kelp Chandelier Conical

(Ø80xH.90 cm, black matt finish with brass light globes, 10 x E14, 30 kg)

Technical details page 333



KELPOC140COP

Kelp Chandelier Oval

(L.140xW.60xH.55 cm, copper finish, 10 x E14, 30 kg)

Technical details page 334



KELPC100BR

Kelp Chandelier Round

(Ø100xH.60 cm, brass finish, 10 x E14, 30 kg)

Technical details page 335





KELPP80BRG
Kelp Ceiling Lamp Round
(Ø80xH.30 cm, brass grinded finish, 6 x E14, 15 kg)
Technical details page 336



KELPP80COP
Kelp Ceiling Lamp Round
(Ø80xH.30 cm, copper finish, 6 x E14, 15 kg)
Technical details page 336



KELPW50GSF
Kelp Wall Lamp
(W.28xH.50xD.15 cm, gold satin finish, 3 x E14, 3.5 kg)
Technical details page 336



Arthur

Design by William Brand

He emerges as a conqueror when the darkness is fenced off.

Proudly overlooking the arena where he reigns.

Behind his metal curtain he shines his light
guarding everyone around.



* Due to the unique process of creating the finishes Brass Burnished, Brass Aged, Nickel Aged and Copper Burnished, lights that will be combined in the same space should be ordered at the same time, in order to prevent lights from looking slightly different from each other. Colours and finishes may appear slightly different by viewing in print or on screens.

ARCC80N

Arthur Chandelier Conical
(Ø80xH.100 cm, nickel finish, 14 x E14, 40 kg)

Technical details page 343



AROC140N

Arthur Chandelier Oval
(L.140xW.60xH.55 cm, nickel finish, 12x E14, 45 kg)
Technical details page 343



ARC100N

Arthur Chandelier Round
(Ø100xH.55 cm, nickel finish, 14 x E14, 40 kg)
Technical details page 344



ARC100BLM
Arthur Chandelier Round
(Ø100xH.55 cm, black matt finish, 14 x E14, 40 kg)
Technical details page 344



ARC100BLM
Arthur Chandelier Round
(Ø100xH.55 cm, black matt finish, 14 x E14, 40 kg)
Technical details page 344



AR18N

Hanging Lamp Single
(Ø18xH.75 cm, nickel finish, 3 x E14, 10 kg)
Technical details page 345



Customised AR18N

Composition of 10x AR18N Hanging Lamp Singles
(Ø35xH.150 cm, nickel finish, 30 x E14, 100 kg)

PRIVATE INTERIOR AMSTERDAM, NL FEATURING
INTERIOR DESIGN BY ROY DE SCHEEMAKER



ARP80N
Ceiling Lamp Round
(Ø80xH.45 cm, nickel finish, 8 x E14, 30 kg)
Technical details page 344



ARW50N
Wall Lamp
(W.20xH.50xD.12 cm, nickel finish, 1 x E14, 7 kg)
Technical details page 346



ART30N
Table Lamp
(Ø30xH.85 cm, nickel finish, 3 x E14, 17 kg)
Technical details page 346



ARF190N
Floor Lamp
(Ø30xH.190 cm, nickel finish, 5 x E14, 32 kg)
Technical details page 345

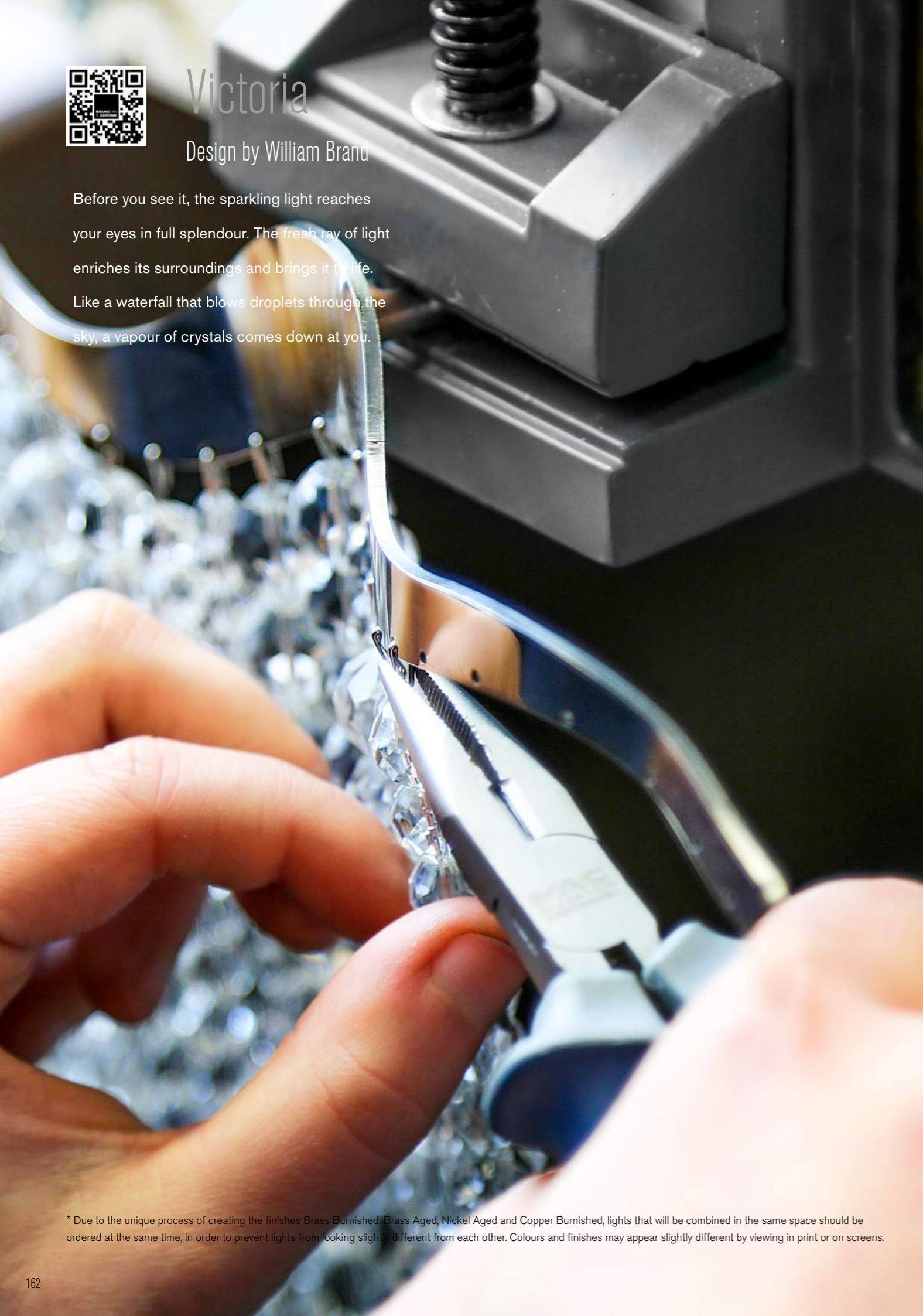


Victoria

Design by William Brand

Before you see it, the sparkling light reaches your eyes in full splendour. The fresh ray of light enriches its surroundings and brings it to life.

Like a waterfall that blows droplets through the sky, a vapour of crystals comes down at you.



* Due to the unique process of creating the finishes Brass Burnished, Brass Aged, Nickel Aged and Copper Burnished, lights that will be combined in the same space should be ordered at the same time, in order to prevent lights from looking slightly different from each other. Colours and finishes may appear slightly different by viewing in print or on screens.



VCC70N

Victoria Chandelier Conical
(Ø70xH.80 cm, nickel finish, 12 x E14, 28 kg)

Technical details page 349



VOC160N

Victoria Chandelier Oval

(L.160xW.60xH.55 cm, nickel finish, 16 x E14, 33 kg)

Technical details page 349



VC100N

Victoria Chandelier Round

(Ø100xH.55 cm, nickel finish, 14x E14, 29 kg)

Technical details page 350





VC100BLM Victoria Chandelier Round
(Ø100xH.55 cm, black matt finish, 14x E14, 29 kg)
Technical details page 350



VC18N

Victoria Hanging Lamp Single
(Ø18xH.75 cm, nickel finish, 3 x E14, 7 kg)
Technical details page 351



3xVC18N

Composition of 3x VC18N Victoria Hanging Lamp Singles
(Ø18xH.75 cm, nickel finish, 3 x E14, 7 kg)
Technical details page 351



VP80N
Victoria Ceiling Lamp
(Ø80xH.45 cm, nickel finish, 8 x E14, 20 kg)
Technical details page 350



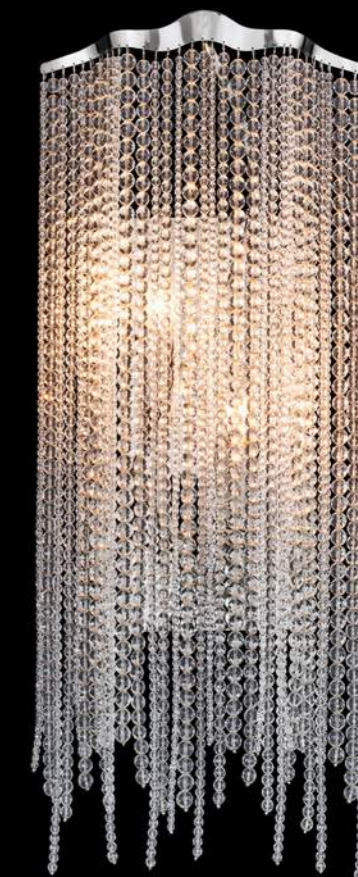
VW50N
Victoria Wall Lamp
(W.20xH.50xD.12 cm, nickel finish, 1 x E14, 5 kg)
Technical details page 352



VT30N
Victoria Table Lamp
(Ø30xH.85 cm, nickel finish, 3 x E14, 12 kg)
Technical details page 352



VF190N
Victoria Floor Lamp
(Ø30xH.190 cm, nickel finish, 5 x E14, 27 kg)
Technical details page 351



VW70N
Victoria Wall Lamp
(W.30xH.70xD.12 cm, nickel finish, 2 x E14, 8 kg)
Technical details page 352



CUSTOMISED Victoria Floor Lamp

Victoria Floor Lamp

(Ø95xH.200 cm, gold satin finish, 40 x E14, 50 kg)

Technical details page 351 (Standard collection)





Sultans of Swing

Design by William Brand

Beauty enables us to find and lose ourselves at the same time. Only when paying careful attention, we sometimes hear the quiet whispers of history from beyond the curtain of time. Embracing both times gone by as well as the present.

Sultans of Swing captures Imperial elegance and the sheer pleasure of blowing new life into long-standing shapes and forms.

DESSANGE SALON Moscow, RU



* Due to the unique process of creating the finishes Brass Burnished, Brass Aged, Nickel Aged and Copper Burnished, lights that will be combined in the same space should be ordered at the same time, in order to prevent lights from looking slightly different from each other. Colours and finishes may appear slightly different by viewing in print or on screens.

SOSCC80N

Sultans Of Swing Chandelier Conical
(Ø80xH.100 cm, nickel finish, 14 x E14, 30 kg)

Technical details page 355



SOSC80N

Sultans Of Swing Chandelier Conical
(Ø80xH.100 cm, nickel finish, 14 x E14, 30 kg)
Technical details page 355



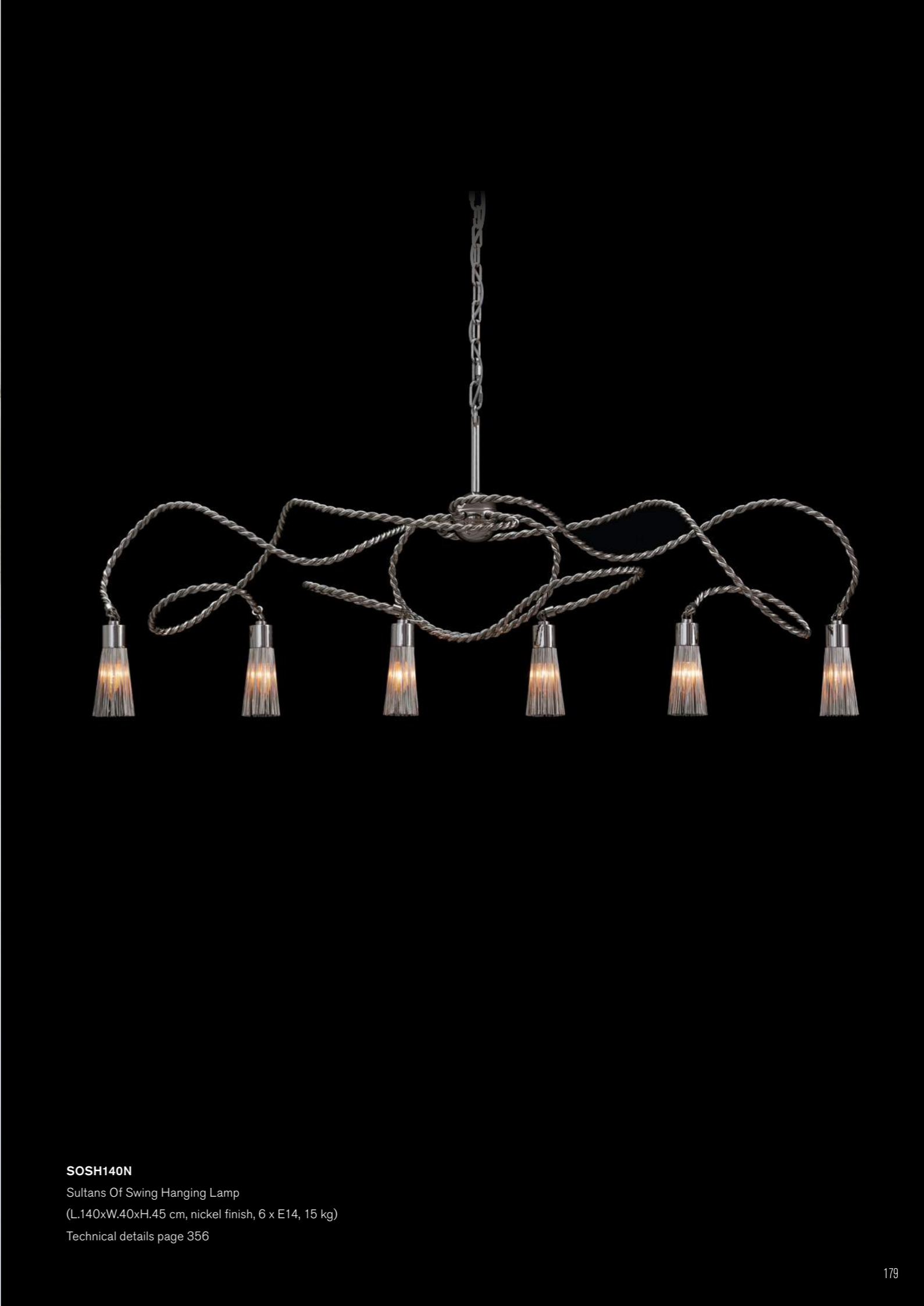
SOSOC140N

Sultans Of Swing Chandelier Oval
(L.140xW.70xH.55 cm, nickel finish, 14 x E14, 26 kg)
Technical details page 355



SOSC100N

Sultans Of Swing Chandelier Round
(Ø100xH.60 cm, nickel finish, 14 x E14, 38 kg)
Technical details page 356



SOSH140N

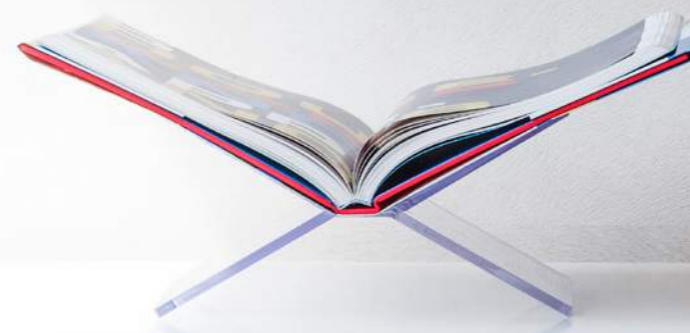
Sultans Of Swing Hanging Lamp
(L.140xW.40xH.45 cm, nickel finish, 6 x E14, 15 kg)
Technical details page 356



SOSP60N
Sultans Of Swing Ceiling Lamp
(Ø60xH.35 cm, nickel finish, 6 x E14, 10 kg)
Technical details page 357



SOSP80N
Sultans Of Swing Ceiling Lamp
(Ø80xH.35 cm, nickel finish, 8 x E14, 13 kg)
Technical details page 357



SOST65N
Sultans Of Swing Table Lamp
(Ø35xH.65 cm, nickel finish, 3 x E14, 10 kg)
Technical details page 357



SOSW36N

Sultans Of Swing Wall Lamp

(W.12xH.36xD.12 cm, nickel finish, 1 x E14, 3.5 kg)

Technical details page 357



SOSW50N

Sultans Of Swing Wall Lamp

(W.25xH.50xD.12 cm, nickel finish, 3 x E14, 11 kg)

Technical details page 357

Our Sultans of Swing Elements can be shaped and formed to your needs.

You can select from four different single light objects, each with its own characteristic shaped curls.

You can use them by itself or combine them to fit your needs.



100SOSST

Sultans Of Swing Elements in 4 standard curves
(Ø30xH.100 cm, stainless steel, 1 x E14, 2,5 kg)
Technical details page 359



5X100SOSST COMPOSITION

Composition of 5xSultans Of Swing Elements with curves C, B, A, B, D
(Ø30xH.100 cm, stainless steel, 1 x E14, 2,5 kg)
Technical details page 359



Customised 55SOSBLM

Sultans Of Swing Elements in standard curve A
(Ø15xH.55 cm, black matt finish, 1 x E14, 2,0 kg)
Technical details page 339

Our Sultans of Swing Elements can be shaped and formed to your needs.
You can select from four different single light objects, each with its own characteristic shaped curls.
You can use them by itself or combine them to fit your needs.



Customised 55SOSBLM

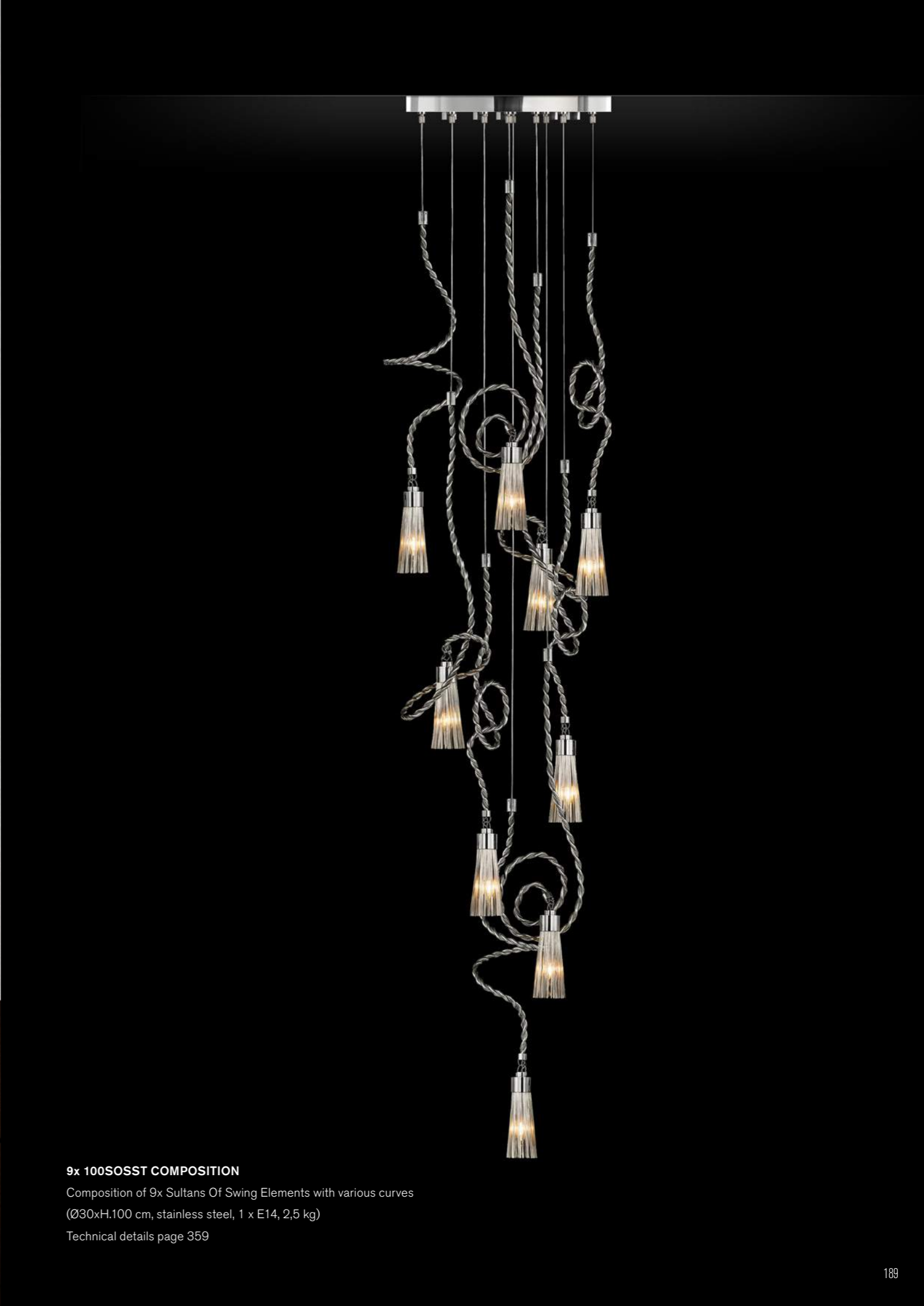
Sultans Of Swing Elements in 4 standard curves
(Ø15xH.55 cm, black matt finish, 1 x E14, 2,0 kg)
Technical details page 339



100SOSST

Sultans Of Swing Elements with various curves
(Ø30xH.100 cm, stainless steel, 1 x E14, 2,5 kg)

Technical details page 359



9x 100SOSST COMPOSITION

Composition of 9x Sultans Of Swing Elements with various curves
(Ø30xH.100 cm, stainless steel, 1 x E14, 2,5 kg)

Technical details page 359



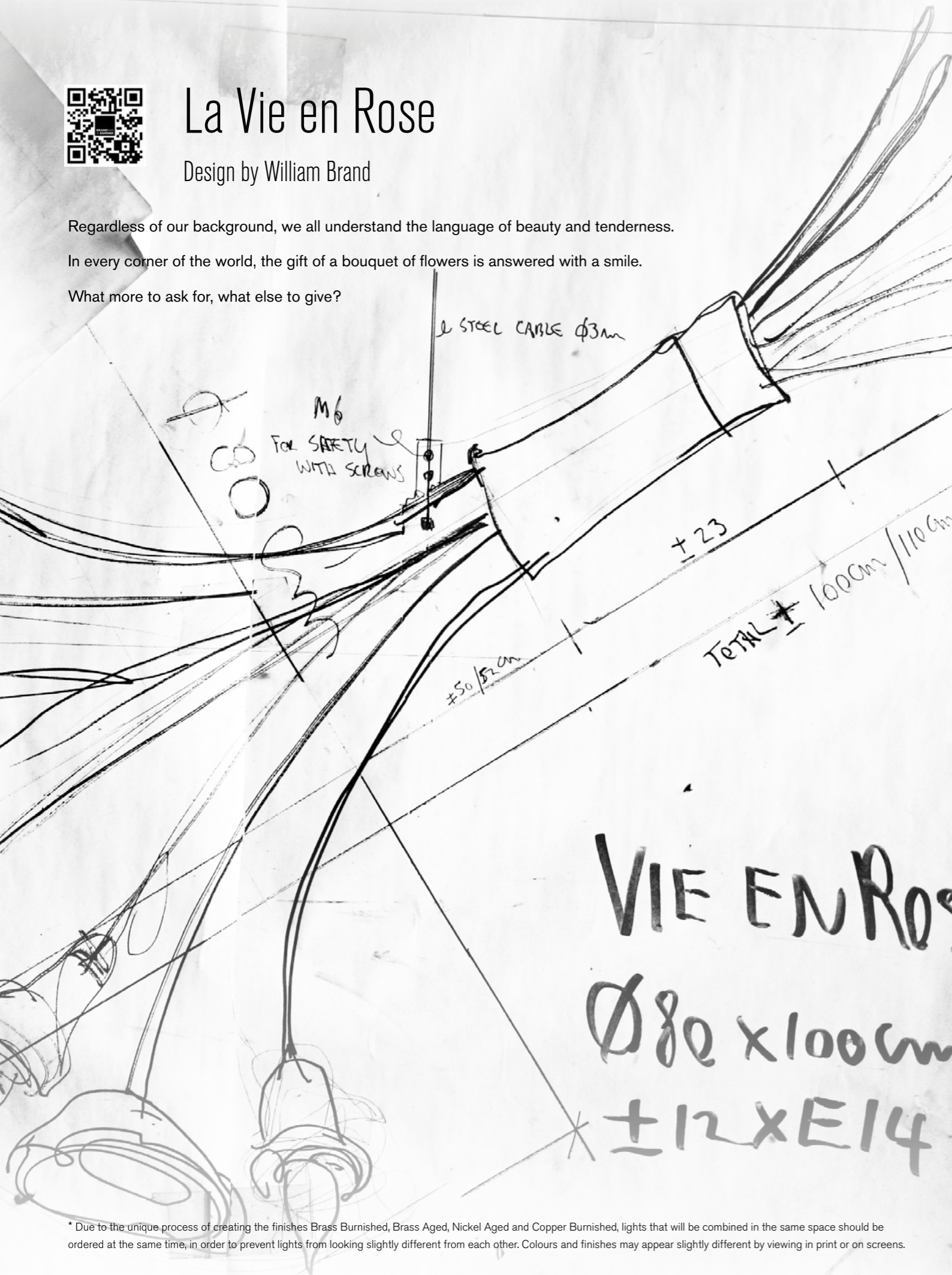
La Vie en Rose

Design by William Brand

Regardless of our background, we all understand the language of beauty and tenderness.

In every corner of the world, the gift of a bouquet of flowers is answered with a smile.

What more to ask for, what else to give?



* Due to the unique process of creating the finishes Brass Burnished, Brass Aged, Nickel Aged and Copper Burnished, lights that will be combined in the same space should be ordered at the same time, in order to prevent lights from looking slightly different from each other. Colours and finishes may appear slightly different by viewing in print or on screens.

PRIVATE INTERIOR LAREN, NL FEATURING
CUSTOMISED LA VIE EN ROSE COMPOSITION.



COMPOSITION OF LA VIE EN ROSE

Composition of La Vie En Rose Hanging Lamps and Bouquets in various dimensions (nickel and black finish)

Technical details page 361-363



COMPOSITION OF LA VIE EN ROSE

Example of 2 different compositions, all combinations possible
 Technical details page 361-363

OKURA HOTEL AMSTERDAM, NL



Composition of LA VIE EN ROSE

Example of a composition, all combinations possible
 Technical details page 361-363



VERHL120N

La Vie En Rose Hanging Lamp
(L.120xW.40xH.40 cm, nickel finish, 8 x E14, 5 kg)
Technical details page 363



VERW35N

La Vie En Rose Wall Lamp
(L.35xH.65xH.20 cm, nickel finish, 3 x E14, 8 kg)
Technical details page 363



Love You Love You Not

Design by William Brand

The rose, while the icon of love, also symbolises the thin line between love gained and love lost. It's out of your hands, pick the petals at random, and wonder; she loves me, she loves me not . . .

* Due to the unique process of creating the finishes Brass Burnished, Brass Aged, Nickel Aged and Copper Burnished, lights that will be combined in the same space should be ordered at the same time, in order to prevent lights from looking slightly different from each other. Colours and finishes may appear slightly different by viewing in print or on screens.

PRIVATE INTERIOR, BUSSUM, NL



LYCC70N

Love You LoveYou Not Chandelier Conical
(Ø70xH.80 cm, nickel finish, 12 x E14, 28 kg)

Technical details page 365

KONINGSKINDEREN DAY CARE Bussum, NL featuring
Customised LOVE YOU LOVE YOU NOT Chandelier Conical



Customised LOVE YOU LOVE YOU NOT

Customised Love You LoveYou Not Chandelier Conical
(Ø90xH.150cm, white finish, 14 x E14, 32 kg)

Technical details page 365



Customised LYOC80BR

Customised Love You LoveYou Not Chandelier Oval
(L.160xW.70xH.65cm, brass finish, 18 x E14, 41 kg)

Technical details page 365



LYC120N

Love You LoveYou Not Chandelier Round
(Ø120xH.70 cm, nickel finish, 16 x E14, 55 kg)
Technical details page 366



LYC80GSF

Love You LoveYou Not Chandelier Round
(Ø80xH.45cm, gold satin finish, 12 x E14, 22 kg)
Technical details page 366

W Hotel Doha, QT featuring
Love You Love You Not Chandelier Round
LYC80BL



LYC80BL
Love You Love You Not Chandelier Round
(Ø80xH.45cm, black finish, 12 x E14, 22 kg)
Technical details page 366

KONINGSKINDEREN DAY CARE Bussum, NL featuring
LOVE YOU LOVE YOU NOT Ceiling lamps



LYP100W
Love You Love You Not Ceiling Lamp
(Ø100xH.30cm, white finish, 10 x E14, 20 kg)
Technical details page 367



LYW45W-R
Love You Love You Not Wall Lamp
right version
(W.15xH.45xD.12 cm, whitel finish, 1 x E14, 3,5 kg)
Technical details page 367



LYW45N-L
Love You Love You Not Wall Lamp
left version
(W.15xH.45xD.12 cm, nickel finish, 1 x E14, 3,5 kg)
Technical details page 367



LYW45N-R
Love You Love You Not Wall Lamp
right version
(W.15xH.45xD.12 cm, nickel finish, 1 x E14, 3,5 kg)
Technical details page 367



Flower Power

Design by William Brand

Using the latest techniques to cut flowery sensual shapes out of steel plates, Flower Power is a wonderful rendez-vous between handmade and high-tech. All this is combined with especially designed glass drops, that evoke the idea of icicles.



FPHO135BL

Flower Power Chandelier Oval
(L.135xW.65xH.45cm, black finish, 12 x G9, 35 kg)

Technical details page 369

* Due to the unique process of creating the finishes Brass Burnished, Brass Aged, Nickel Aged and Copper Burnished, lights that will be combined in the same space should be ordered at the same time, in order to prevent lights from looking slightly different from each other. Colours and finishes may appear slightly different by viewing in print or on screens.



FPHO155W

Flower Power Chandelier Oval
(L.155xW.65xH.45cm, white finish, 12 x G9, 40 kg)
Technical details page 369



FPHO135N

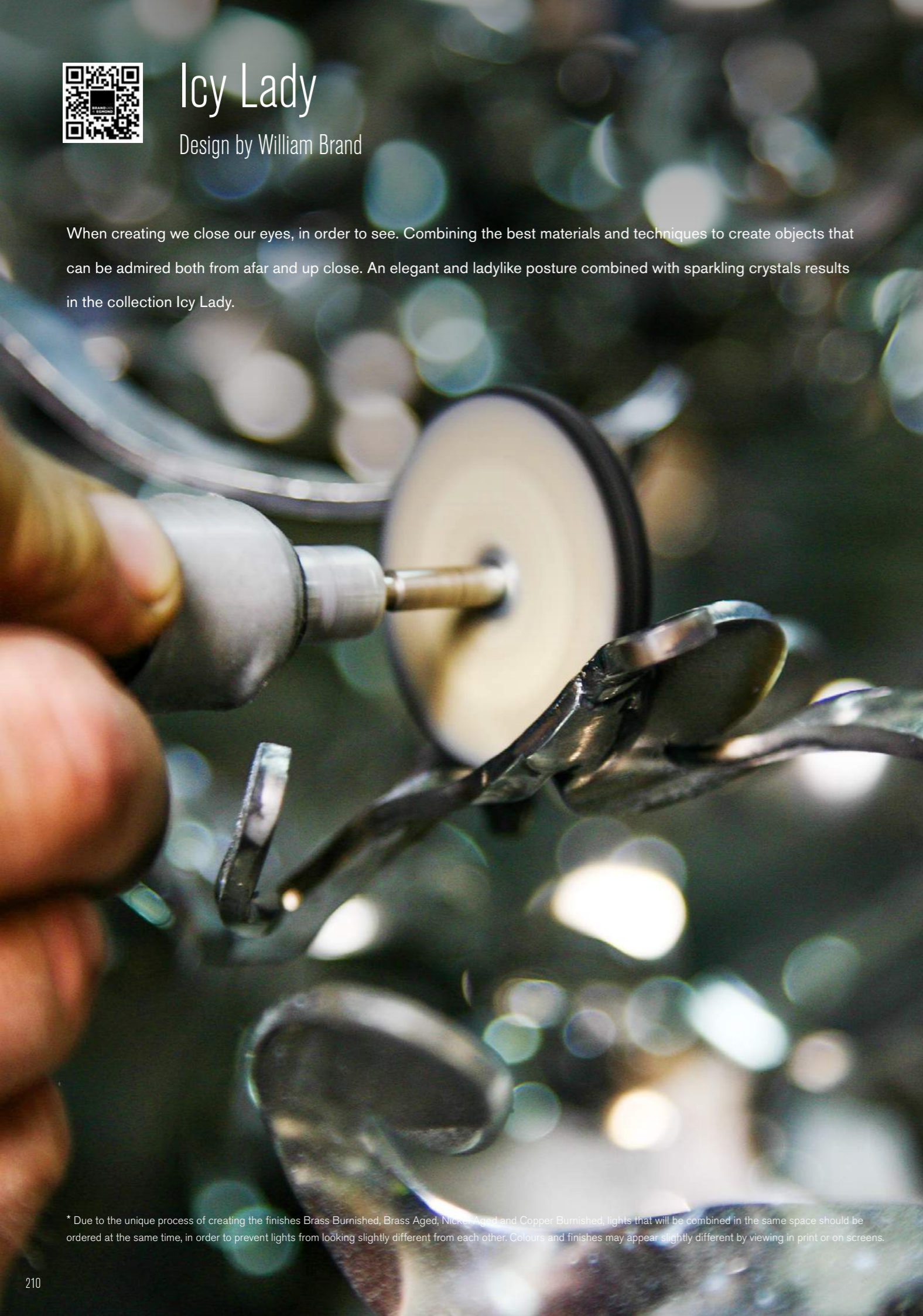
Flower Power Chandelier Oval
(L.135xW.65xH.45cm, nickel finish, 12 x G9, 35 kg)
Technical details page 369



Icy Lady

Design by William Brand

When creating we close our eyes, in order to see. Combining the best materials and techniques to create objects that can be admired both from afar and up close. An elegant and ladylike posture combined with sparkling crystals results in the collection Icy Lady.



* Due to the unique process of creating the finishes Brass Burnished, Brass Aged, Nickel Aged and Copper Burnished, lights that will be combined in the same space should be ordered at the same time, in order to prevent lights from looking slightly different from each other. Colours and finishes may appear slightly different by viewing in print or on screens.



ILC120W

Icy Lady Chandelier Round
(Ø120xH.55cm, white finish, 12 x G9, 52 kg)

Technical details page 372



ILC100N

Icy Lady Chandelier Round
 (Ø.100xH.45cm, nickel finish, 12 x G9, 34 kg)
 Technical details page 372



ILCUSD120BL

Icy Lady Chandelier Round Upside Down
 (Ø120xH.55cm, black finish, 18 x G9, 46 kg)
 Technical details page 371



Customised ICY LADY Gold Leaf

Customised Icy Lady Upside Down
 (Ø150xH.150cm, Customised Gold Leaf finish, 12 x G9, 55 kg)



ILP80W

Icy Lady Ceiling Lamp
(Ø80xH.35cm, white finish, 12 x G9, 18 kg)
Technical details page 373



ILW30N-R

Icy Lady Wall Lamp
(L.30xH.40xD.14cm, nickel finish, 1x E14, 3 kg)
Technical details page 373



Crystal Waters

Design by William Brand

Allowing the fine wiry parts to find their own way, like water leaving a riverbed, a wide range of shapes and dimensions flow smoothly from the collection of Crystal Waters. Eventually, all things merge into one, and a river runs through it...



* Due to the unique process of creating the finishes Brass Burnished, Brass Aged, Nickel Aged and Copper Burnished, lights that will be combined in the same space should be ordered at the same time, in order to prevent lights from looking slightly different from each other. Colours and finishes may appear slightly different by showing in print or on screens.



CWS130NH

Crystal Waters Hanging Lamp Cigar
(L.130xW.50xH.30cm, nickel finish, 16x G9, 8 kg)

Technical details page 375



CWS200NH
Crystal Waters Hanging Lamp Cigar
(L.200xW.55xH.30cm, nickel finish, 26x G9, 15 kg)
Technical details page 375

COSMOPOLITAN HOTEL, VIOLET HOUR LAS VEGAS, US



CWH80NH
Crystal Waters Hanging Lamp "UFO"
(Ø80xH.30cm, nickel finish, 16x G9, 10 kg)
Technical details page 375



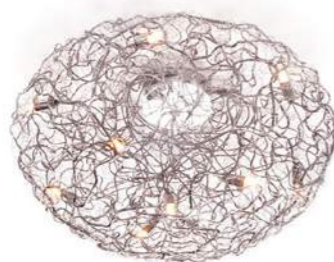
CWP120NH
Crystal Waters Ceiling Lamp
(Ø120xH.38cm, nickel finish, 17x G9, 16 kg)



CWP100NH
Crystal Waters Ceiling Lamp
(Ø100xH.38cm, nickel finish, 16x G9, 12 kg)



CWP80NH
Crystal Waters Ceiling Lamp
(Ø80xH.38cm, nickel finish, 13x G9, 10 kg)



CWP60NH
Crystal Waters Ceiling Lamp
(Ø60xH.38cm, nickel finish, 10x G9, 5 kg)



CWP40NH
Crystal Waters Ceiling Lamp
(Ø40xH.28cm, nickel finish, 7x G9, 4 kg)

Technical details page 376

PRIVATE INTERIOR THE HAGUE, NL
A project by Damad Lichtstudio



150CW1N
Crystal Waters Wall Lamp
(W.20xH.27xD.17cm, nickel finish, 1 x E14, 3 kg)
Technical details page 376



CWH130NH

Crystal Waters Drop
(Ø30xH.130cm, nickel finish, 14 x G9, 9 kg)
Technical details page 376



CWH160NH

Crystal Waters Drop
(Ø35xH.160cm, nickel finish, 18 x G9, 11 kg)
Technical details page 376



CWH200NH

Crystal Waters Drop
(Ø40xH.200cm, nickel finish, 24 x G9, 15 kg)
Technical details page 376



COMPOSITION OF 3XCWH130NH

Composition of 3xCrystal Waters Drop
(Ø30xH.130cm, nickel finish, 14 x G9, 9 kg)
Technical details page 376



Delphinium

Design by William Brand

It is a small step from the purity of nature to the pleasures of life, a step taken at the time of the introduction of Delphinium.

The structure of frivolous iron garlands carrying glass elements evokes an almost secret longing for times bygone.

A new stream of dancing designs comes to the fore, all with a playful hint of hedonism.



* Due to the unique process of creating the finishes Brass Burnished, Brass Aged, Nickel Aged and Copper Burnished, the same space should be reserved for all lights. To avoid this, all lights should be ordered at the same time, in order to prevent lights from looking slightly different from each other. Colours and finishes may vary slightly from the image shown. Viewing in print or on screens.



DCC70N

Delphinium Chandelier Conical
(Ø70xH.80cm, nickel finish, 10 x E14, 25 kg)

Technical details page 379



DOC70N

Delphinium Chandelier Oval
(L.140xW.70xH.55cm, nickel finish, 12 x E14, 46 kg)
Technical details page 379

PRIVATE INTERIOR KITZBÜHEL
INTERIOR DESIGN BY SPLENDID ARCHITECTURE GBR



DC140N

Delphinium Chandelier Round
(Ø140xH.70cm, nickel finish, 20 x E14, 67 kg)
Technical details page 379



Paul Noyen

2XDC100N

Delphinium Chandelier Round
(Ø100xH.55cm, nickel finish, 12 x E14, 27 kg)
Technical details page 380



DC120N

Delphinium Chandelier Round
(Ø120xH.70cm, nickel finish, 16 x E14, 35 kg)
Technical details page 380



DP60N
Delphinium Ceiling Lamp Round
(Ø60xH.30cm, nickel finish, 5x E14, 11 kg)
Technical details page 380



DW35N
Delphinium Wall Lamp
(W.40xH.75xD.20cm, nickel finish, 3x E14, 7 kg)
Technical details page 381



Hollywood

Design by William Brand

Travelling through Africa with his family, William was touched by the slenderness and pure beauty of the branches and trees scattered across the land. Just as nature comes in all forms and shapes the Hollywood line is equally diverse, including round, conical and square shapes.



HCC90N

Hollywood Chandelier Conical

Any dimension possible

(Ø90xH.130cm, nickel finish, 16x E14, 27 kg)

Technical details page 383

* Due to the unique process of creating the finishes Brass Burnished, Brass Aged, Nickel Aged and Copper Burnished, lights that will be combined in the same space should be ordered at the same time, in order to prevent lights from looking slightly different from each other. Colours and finishes may appear slightly different by viewing in print or on screens.



HCC90N

Hollywood Chandelier Conical

Any dimension possible

(Ø90xH.130cm, nickel finish, 16x E14, 27 kg)

Technical details page 383



HCC60N

Hollywood Chandelier Conical

Any dimension possible

(Ø60xH.100cm, nickel finish, 8x E14, 16 kg)

Technical details page 383



HCC90W
Hollywood Chandelier Conical
Any dimension possible
(Ø90xH.130cm, white finish, 16x E14, 27 kg)
Technical details page 383



HCC0140N
Hollywood Chandelier Conical Oval
Any dimension possible
(L.140xW.55xH.85cm, nickel finish, 14x E14, 26 kg)
Technical details page 383



HC120N
Hollywood Chandelier Round
Any dimension possible
(Ø120xH.25cm, nickel finish, 10x E14, 28 kg)
Technical details page 384



HCCH10x10N
Hollywood Chandelier Candlestick Round
Any dimension possible
(Ø100xH.40cm, nickel finish, 12x E14, 21 kg)
Technical details page 384



HW45N

Hollywood Wall Lamp Block

Any dimension possible

(W.20xH.45xD.25cm, nickel finish, 1x E27, 6 kg)

Technical details page 389

HC120N

Hollywood Chandelier Round.

Any dimension possible

(Ø120xH.25cm, nickel finish, 10x E14, 28 kg)

Technical details page 384

HF190N

Hollywood Floor Lamp Block

Any dimension possible

(L.40xW.40xH.190cm, nickel finish, 1x E27, 23 kg)

Technical details page 387



HPH80N

Hollywood Ceiling Chandelier

Any dimension possible

(Ø80xH.80cm, nickel finish, 12x E14, 11 kg)

Technical details page 387



HH25N-4IL

Hollywood Hanging Lamp In Line

(L.175xW.25xH.30cm, nickel finish, 4x E27, 37 kg)

Technical details page 385



CUSTOMISED HOLLYWOOD

Customised Hollywood Hanging Lamp Long

Any dimension possible

(L.225xW.30xH.40cm, nickel finish, 7x E27, 30 kg)

Technical details page 386 (standard collection)



2x Customised Hollywood

Customised Hollywood Hanging Lamp Block

Any dimension possible

(L.50xW.50xH.50cm, nickel finish, 1x E27, 13 kg)

Technical details page 386 (standard collection)



CUSTOMISED HP60COP/ HP60BRA/ HP60BR

Hollywood Ceiling Lamp Round in various customised finishes
(Ø60xH.22cm, copper/ brass aged/ brass finish, 6x E14, 6kg)
Technical details page 387



HW20N-L

Hollywood Wall Lamp, left version
(W.20xH.45xD.15cm, nickel finish, 1x E14, 1kg)
Technical details page 389



HW45N

Hollywood Wall Lamp Block
(W.20xH.45xD.25cm, nickel finish, 1x E27, 6kg)
Technical details page 389



HF170W

Hollywood Floor Lamp Block

(L.30xW.30xH.170cm, white finish, 1x E27, 18kg)

Technical details page 388



HF190N

Hollywood Floor Lamp

(L.40xW.40xH.190cm, nickel finish 1x E27, 23kg)

Technical details page 388



HF170N

Hollywood Floor Lamp Block

(L.30xW.30xH.170cm, nickel finish, 1x E27, 18kg)

Technical details page 388

HOOGHE VUURSCHE BAARN, NL FEATURING

HOLLYWOOD TABLE LAMP HT55N, WALL LAMP BLOCK HW45N AND FLOOR LAMP HF170N



HT55N

Hollywood Table Lamp Block
(L.20xW.20xH.55cm, nickel finish, 1x E27, 6,5kg)
Technical details page 388

HW45N

Hollywood Wall Lamp Block
(W.20xH.45xD.25cm, nickel finish 1x E27, 6kg)
Technical details page 389

HF170N

Hollywood Floor Lamp Block
(L.30xW.30xH.170cm, nickel finish, 1x E27, 18kg)
Technical details page 388



HT55N

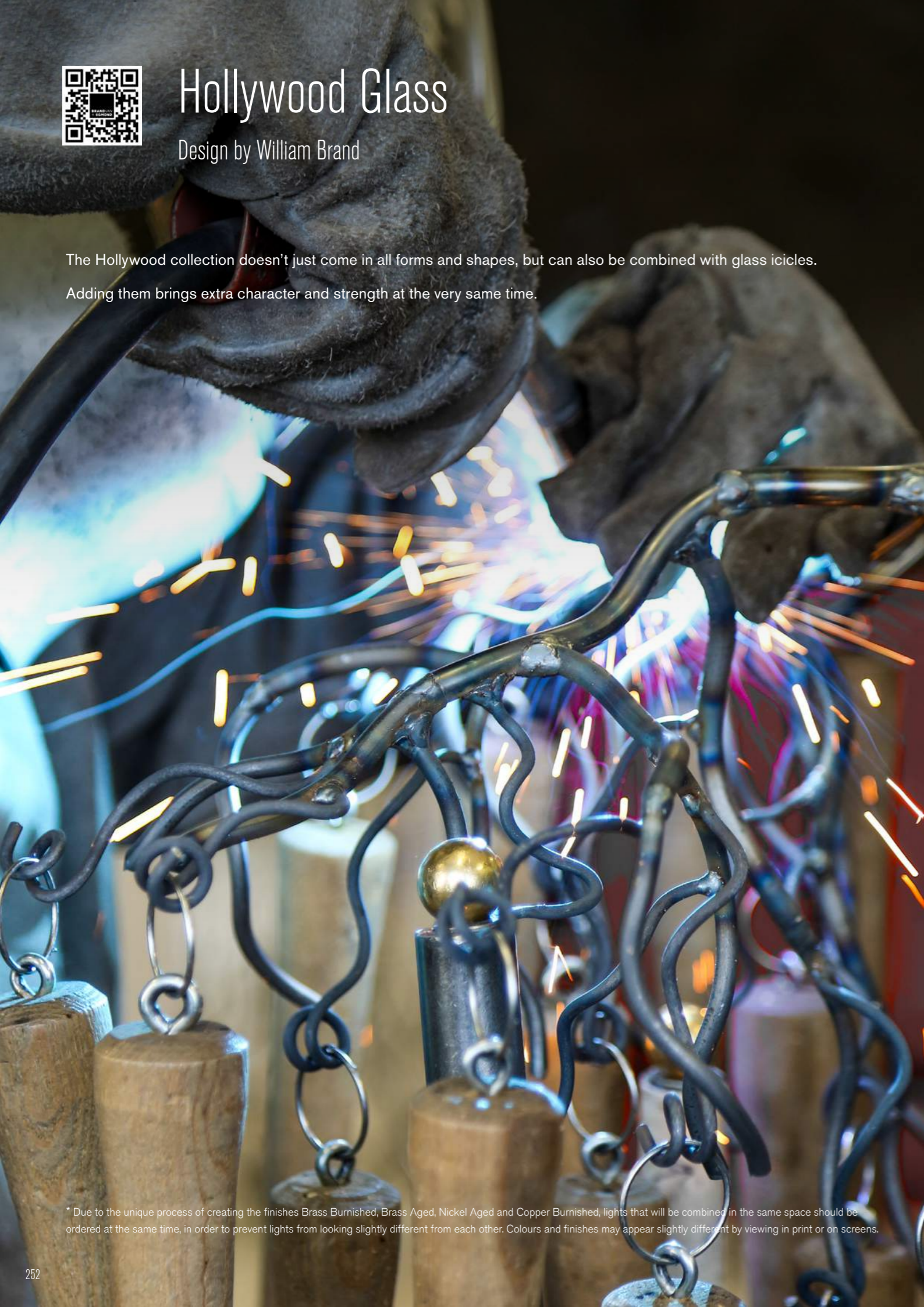
Hollywood Table Lamp Block
(L.30xW.30xH.70cm, nickel finish, 1x E27, 14kg)
Technical details page 388



Hollywood Glass

Design by William Brand

The Hollywood collection doesn't just come in all forms and shapes, but can also be combined with glass icicles. Adding them brings extra character and strength at the very same time.



* Due to the unique process of creating the finishes Brass Burnished, Brass Aged, Nickel Aged and Copper Burnished, lights that will be combined in the same space should be ordered at the same time, in order to prevent lights from looking slightly different from each other. Colours and finishes may appear slightly different by viewing in print or on screens.



HCCGL100N

Hollywood Chandelier Conical Glass.

Any dimension possible

(Ø100xH.125cm, nickel finish, 16x E14, 51 kg)

Technical details page 391



HCCGL100N
Hollywood Chandelier Conical Glass
Any dimension possible
(Ø100xH.125cm, nickel finish, 16x E14, 51 kg)
Technical details page 391



HCCGL80N

Hollywood Chandelier Conical Glass

Any dimension possible

(Ø80xH.100cm, nickel finish, 12x E14, 38 kg)

Technical details page 391



HCCGL80BL

Hollywood Chandelier Conical Glass

Any dimension possible

(Ø80xH.100cm, black finish 12x E14, 38 kg)

Technical details page 391



CUSTOMISED HOLLYWOOD

Customised Hollywood Chandelier Conical Glass

Any dimension possible

(Ø140xH.350cm, gold satin finish, 35x E14, 150 kg)

Technical details page 391 (standard collection)



HOCGL140N

Hollywood Chandelier Oval Glass

Any dimension possible

(L.140xW.55xH.85cm, nickel finish, 14x E14, 42 kg)

Technical details page 391





CUSTOMISED HOLLYWOOD GLASS

Customised Hollywood Chandelier Conical Glass. Hollow Icicles of 30, 40 and 50cm length

Any dimension possible

(Ø140xH.160cm, nickel finish, 16x E14, 170 kg)

Technical details page 391(standard collection)



CUSTOMISED HOLLYWOOD GLASS

Customised Hollywood Chandelier Conical Glass. Hollow Icicles of 40, 50 and 70cm length

Any dimension possible

(Ø100xH.180cm, nickel finish, 23x E14, 90kg)

Technical details page 391(standard collection)



HPGL120N

Hollywood Ceiling Chandelier Glass

Any dimension possible

(Ø120xH.65cm, nickel finish, 15x E14, 60kg)

Technical details page 392



HPGL60N

Hollywood Ceiling Chandelier Glass

Any size as customised object possible

(Ø60xH.50cm, nickel finish, 8x E14, 22kg)

Technical details page 392



HPGLH80N

Hollywood Ceiling Chandelier Glass High

Any dimension possible

(Ø80xH.80cm, nickel finish, 12x E14, 34kg)

Technical details page 392



Customised Eve Icicles

Design by William Brand

Combining the Eve with the time honoured tradition of hand-blown glass:
the Eve Icicles has been created.

Eve Icicles can be customised to any dimension, allowing
for a tailor-made lighting sculpture for your space.



CUSTOMISED EVECCGL160N

Customised Eve Chandelier Conical Glass

(Ø60xH.160 cm, nickel finish, 14 x E14, 36 kg)

* Due to the unique process of creating the finishes Brass Burnished, Brass Aged, Nickel Aged and Copper Burnished, lights that will be combined in the same space should be ordered at the same time, in order to prevent lights from looking slightly different from each other. Colours and finishes may appear slightly different by viewing in print or on screens.



CUSTOMISED EVECCGL160N

Customised Eve Chandelier Conical Glass

(Ø60xH.160 cm, nickel finish, 14 x E14, 36 kg)

EVEOC140N

Eve Chandelier Oval

(L.140xW.60xH.60 cm, nickel finish, 12 x E14, 28 kg)

Technical details page 324



CUSTOMISED EVE ICICLES

Customised Eve Chandelier Conical Glass
(Ø150xH.300 cm, nickel finish, 52 x E14, 100 kg)



CUSTOMISED EVE ICICLES

Customised Eve Chandelier Conical Glass
(Ø150xH.300 cm, nickel finish, 52 x E14, 100 kg)



CUSTOMISED EVE ICICLES

Customised Eve Chandelier Oval Icicles

(L.140cmxW.60cmxH.60cm, rusty finish, 16xE14, 25kg)



CUSTOMISED EVE ICICLES

Customised Eve Chandelier Oval Icicles

(L.140cmxW.60cmxH.60cm, rusty finish, 16xE14, 25kg)



Customised Flower Power Icicles

Design by William Brand

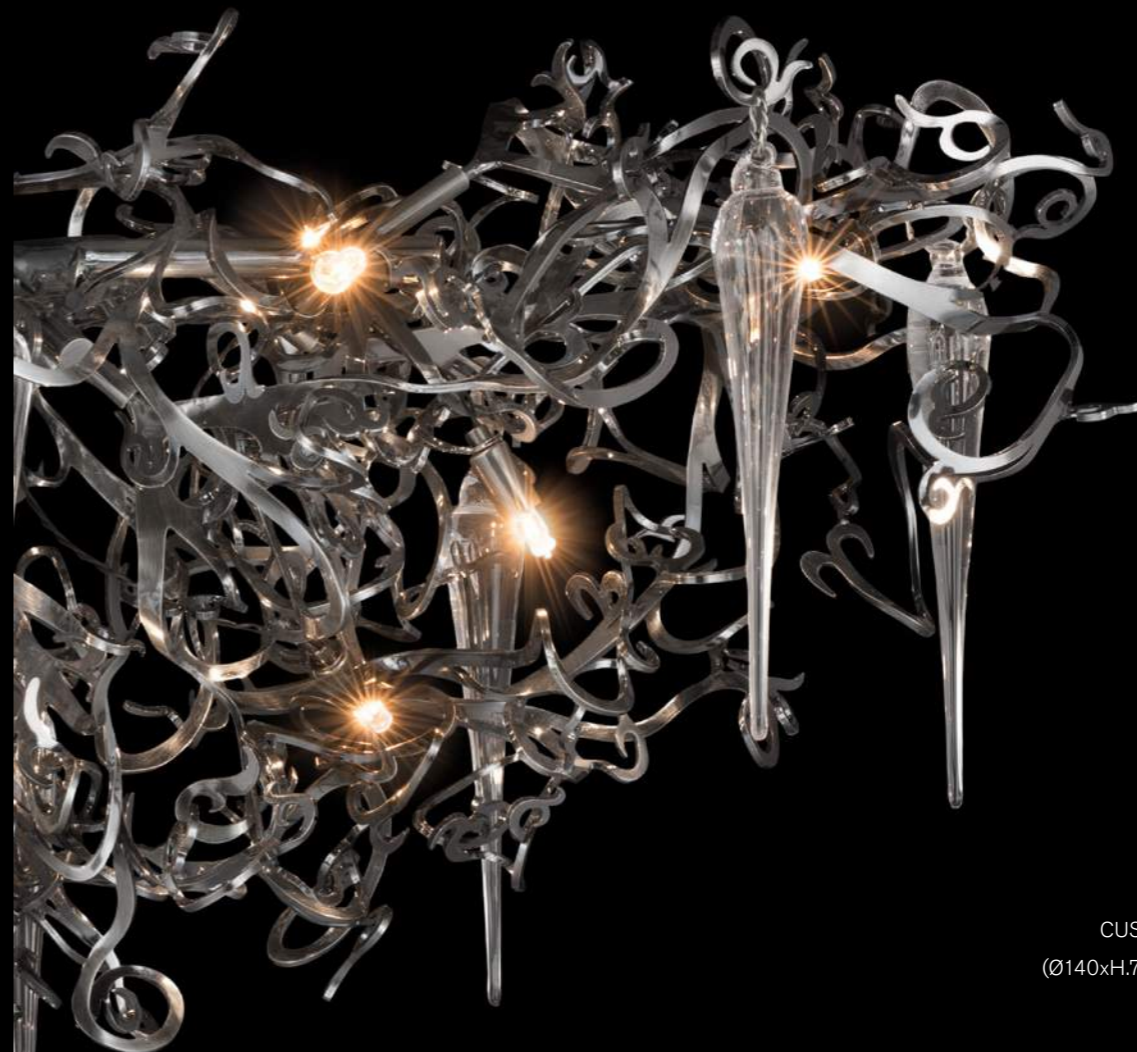
Our exquisite 'Flower Power' found herself refreshed with a breath of fresh air and stylish icicles.



CUSTOMISED FLOWER POWER ICICLES

Customised Flower Power Icicles Chandelier Oval
(Ø140xH.70 cm, 12xG9, 35kg, nickel aged finish)

* Due to the unique process of creating the finishes Brass Burnished, Brass Aged, Nickel Aged and Copper Burnished, lights that will be combined in the same space should be ordered at the same time, in order to prevent lights from looking slightly different from each other. Colours and finishes may appear slightly different by viewing in print or on screens.



CUSTOMISED FLOWER POWER ICICLES
(Ø140xH.70 cm, 12xG9, 35kg, nickel aged finish)



CUSTOMISED FLOWER POWER ICICLES

Customised Flower Power Icicles Chandelier Round
(Ø100xH.70 cm, 8xE27, 25kg, black finish)



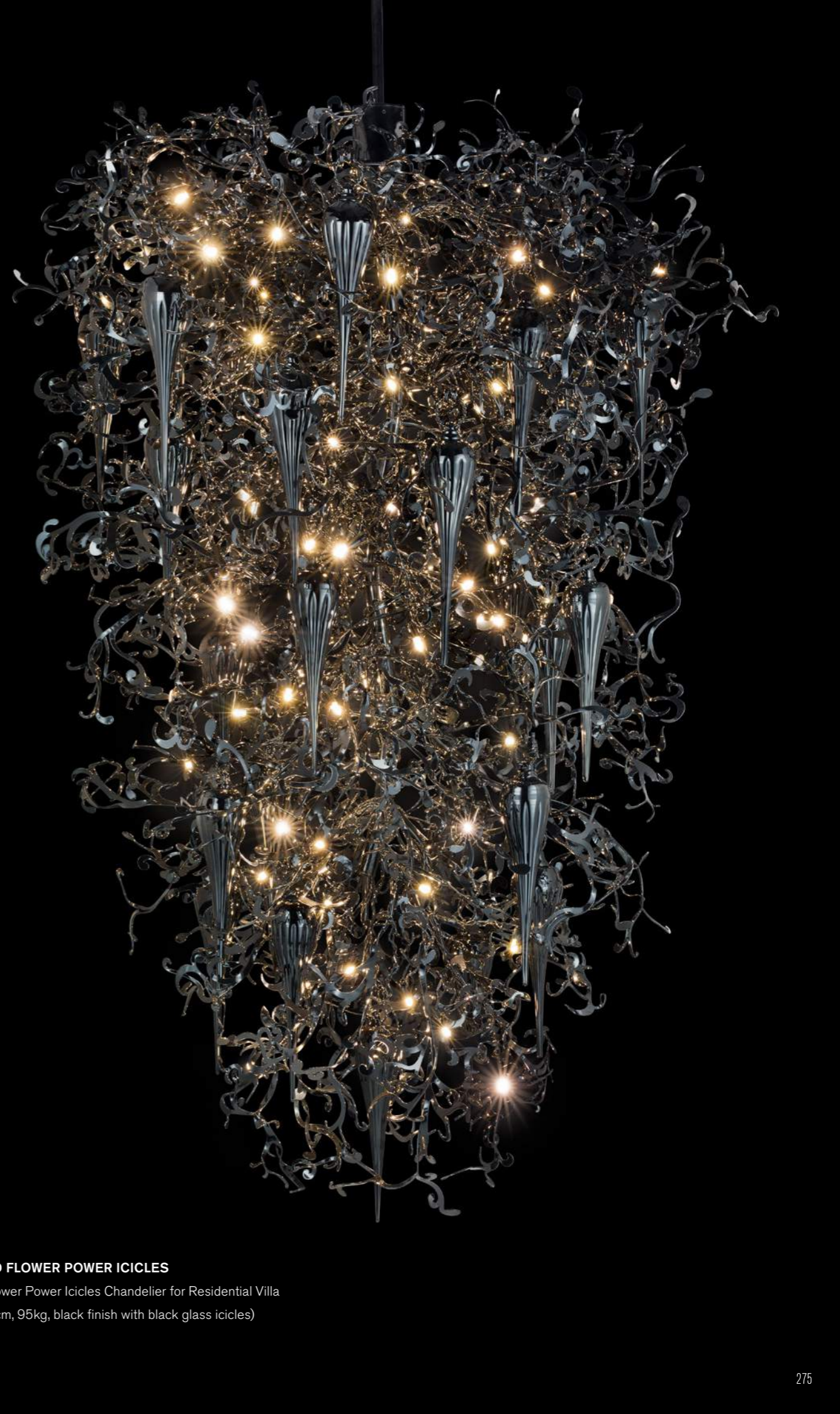
CUSTOMISED FLOWER POWER ICICLES

Customised Flower Power Icicles Chandelier Round
(Ø100xH.70 cm, 8xE27, 25kg, black finish)



CUSTOMISED FLOWER POWER ICICLES

Customised Flower Power Icicles Chandelier for Residential Villa
(Ø150xH.250 cm, 95kg, black finish with black glass icicles)



CUSTOMISED FLOWER POWER ICICLES

Customised Flower Power Icicles Chandelier for Residential Villa
(Ø150xH.250 cm, 95kg, black finish with black glass icicles)



Evergreens

Design by William Brand

Collections that are no longer in regular production, shown here, can at times still be produced on request.



BROOM HANGING LAMP



RHAPSODY IN BLUE CUSTOMISED HANGING LAMP



FLOATING CANDLES CUSTOMISED COMPOSITION



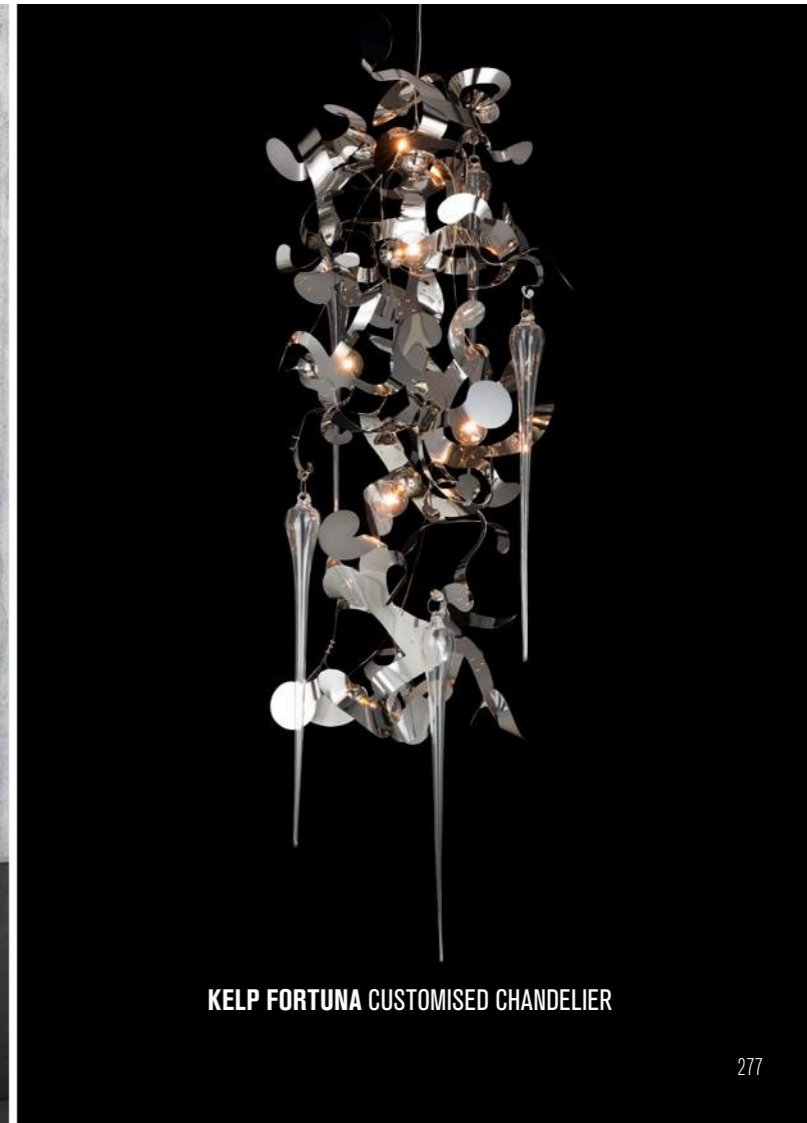
CANDLES AND SPIRITS CHANDELIER



COCO CUSTOMISED CHANDELIER



EDISON'S TAIL CUSTOMISED COMPOSITION



KELP FORTUNA CUSTOMISED CHANDELIER



Evergreens

Design by William Brand

Collections that are no longer in regular production, shown here, can at times still be produced on request.



LOLA CHANDELIER



DIAMONDS FROM AMSTERDAM HANGING LAMP



NIGHT WATCH CUSTOMISED CHANDELIER



TABLE D' AMIS CHANDELIER

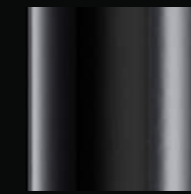
Optional finishes



001
Nickel
(N)



002
Black Matt
(BLM)



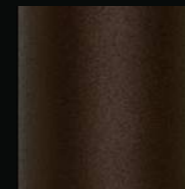
003
Black High Gloss
(BL)



004
White Matt
(WM)



005
White High Gloss
(W)



008
Bronze
(B)



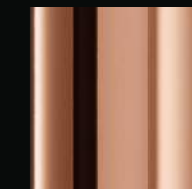
010
Brass High Gloss
(BR)



011
Stainless Steel
(ST)



012
Brass Aged
(BRA)*



013
Copper High Gloss
(COP)



015
Silver Colour leaf
(SL)



016
Gold Colour leaf
(GL)



017
Brass Grinded
(BRG)



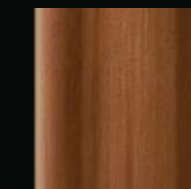
019
Brass Burnished
(BRBUR)*



019
Brass Burnished
(BRBUR)*
with nano wax coating



020
Copper Burnished
(COPBUR)*



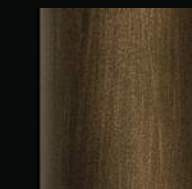
020
Copper Burnished
(COPBUR)*
with nano wax coating



021
Gold Colour
(GC)



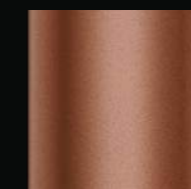
022
Nickel Aged Cool
(NAC)*



023
Brass Aged Colour
(BRAC)



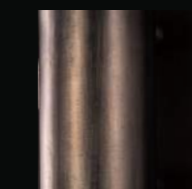
024
Gold Satin
(GSF)



025
Copper Satin
(COPSF)



026
Nickel Aged Warm
(NAW)*



027
Bronze Dark Patina
(BDP)*

Architects and other co-creatives are invited to discover the endless possibilities of customising our lighting sculptures.

We hope to inspire you through the different colours and forms of various compositions, just as we enjoy being stimulated by your requests. William Brand's background in architecture gives him the insight to fully understand the demands and challenges of your work. Combined with his experience he is the perfect partner to translate your needs into handcrafted reality.

For our clients we not only customise to different dimensions, but also in different finishes: allowing for a truly personal lighting sculpture to be created.

* Due to the unique process of creating the finishes Brass Burnished, Brass Aged, Nickel Aged and Copper Burnished, lights that will be combined in the same space should be ordered at the same time, in order to prevent lights from looking slightly different from each other. Colours and finishes may appear slightly different by viewing in print or on screens.



William Brand

designer / owner

William was trained as an artist and an architect. He graduated at the Utrecht School of Arts.

As an award-winning furniture designer he for many years designed buildings and interiors for fashion brands, including the headquarters of BRAND VAN EGMOND. His interior designs are always minimalist, in contrast to his lighting designs which have a powerful sculptural presence. He considers his lighting objects to be “the cherry on the cake”. His way of working is quite specific. Immediately after defining the concept he starts working in the workshop like a sculptor; experimenting and crafting while having the object grow in his hands, often with unexpected results. Therefore the journey is just as exciting and important as the destination.

Specifications are subject to change without prior notice.

Catalogue Edition 31



Specifications are subject to change without prior notice.

Catalogue Edition 31

Certificate



Each BRAND VAN EGMOND lighting sculpture is issued with a certificate of authenticity and registered with a unique number. This guarantees that you are in possession of an original BRAND VAN EGMOND object.

We advise you to keep this certificate together with your receipt of purchase in a safe place.

Technical information



Collection Linea



LINC100BRBUR

Linea Chandelier Round (Ø100xH.75 cm, brass burnished finish, 7x S14D, 18 kg)

Specifications are subject to change without prior notice.

Catalogue Edition 31

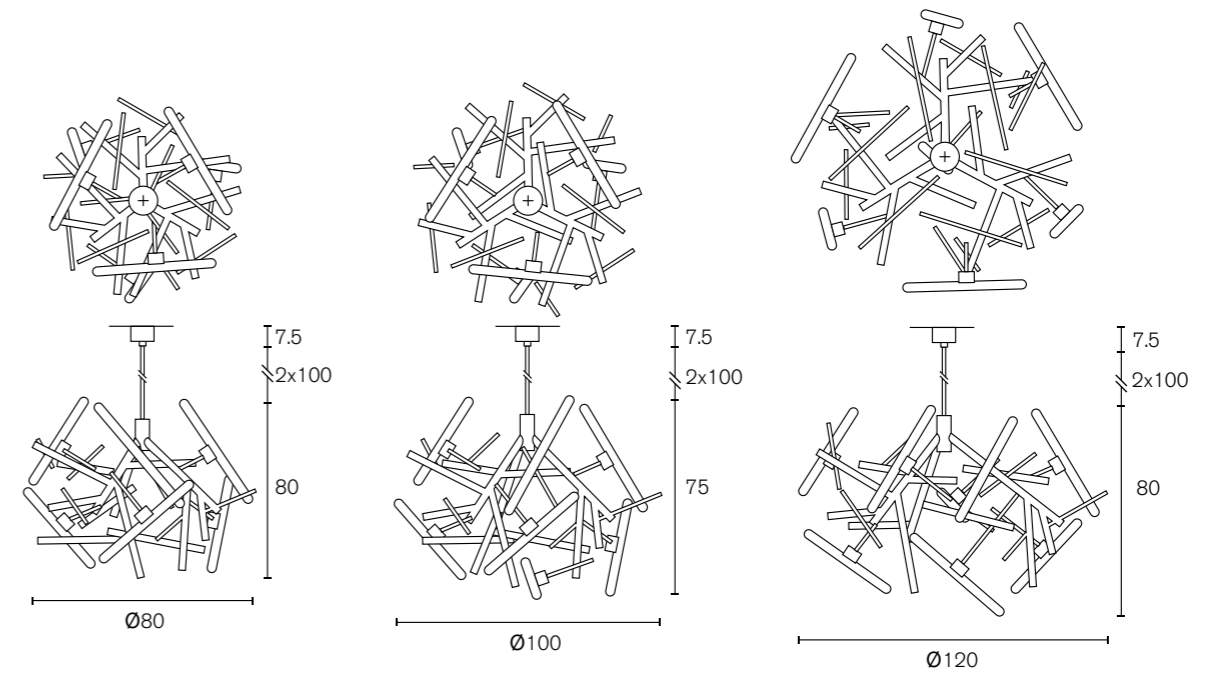
Collection Linea

Chandelier Round



Collection Images page 10-15, 286

Art.nr.	Dimensions	Light bulb	Weight	Finish
LINC80BLM	Ø80xH.80 cm	6x S14D	16,0 kg	black matt finish
LINC80BRBUR	Ø80xH.80 cm	6x S14D	16,0 kg	brass burnished finish
LINC80NAW	Ø80xH.80 cm	6x S14D	16,0 kg	nickel aged warm finish
LINC80GSF	Ø80xH.80 cm	6x S14D	16,0 kg	gold satin finish
LINC100BLM	Ø100xH.75 cm	7x S14D	18,0 kg	black matt finish
LINC100BRBUR	Ø100xH.75 cm	7x S14D	18,0 kg	brass burnished finish
LINC100NAW	Ø100xH.75 cm	7x S14D	18,0 kg	nickel aged warm finish
LINC100GSF	Ø100xH.75 cm	7x S14D	18,0 kg	gold satin finish
LINC120BLM	Ø120xH.80 cm	8x S14D	20,0 kg	black matt finish
LINC120BRBUR	Ø120xH.80 cm	8x S14D	20,0 kg	brass burnished finish
LINC120NAW	Ø120xH.80 cm	8x S14D	20,0 kg	nickel aged warm finish
LINC120GSF	Ø120xH.80 cm	8x S14D	20,0 kg	gold satin finish



Standard the Linea will be delivered with reflector bars in the finish of the lamp. The reflector bars can be delivered in various finishes on request. All chandeliers are supplied with 2 meter stem and a ceiling shade.

Specifications are subject to change without prior notice.

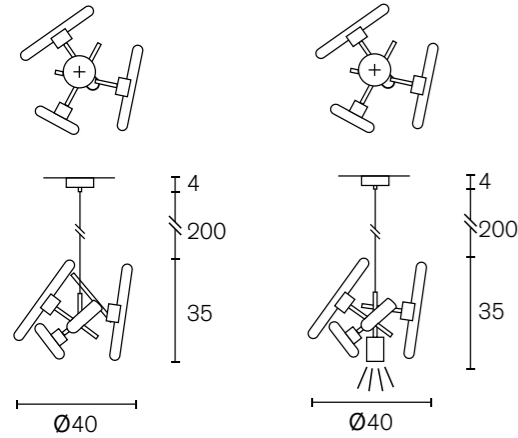
Catalogue Edition 31



Art.nr.	Dimensions	Light bulb	Weight	Finish
LINLT30/40BLM	Ø40xH.35 cm	3x S14D	2,5 kg	black matt finish
LINLT30/40BRBUR	Ø40xH.35 cm	3x S14D	2,5 kg	brass burnished finish
LINLT30/40NAW	Ø40xH.35 cm	3x S14D	2,5 kg	nickel aged warm finish
LINLT30/40GSF	Ø40xH.35 cm	3x S14D	2,5 kg	gold satin finish

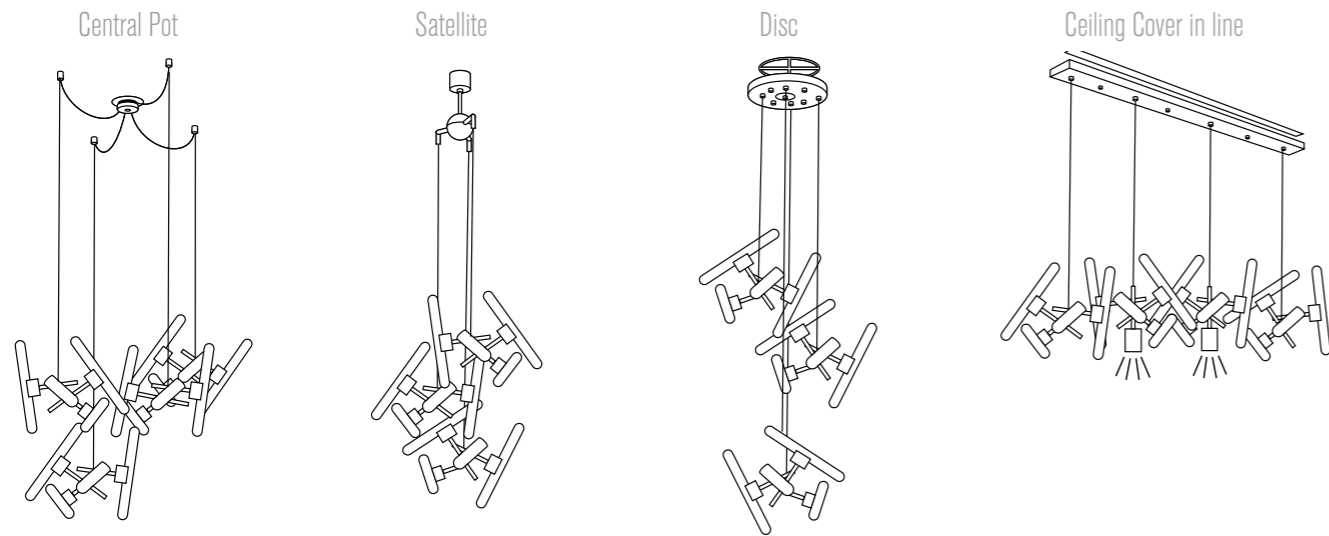
Element with downlight

Art.nr.	Dimensions	Light bulb	Weight	Finish
LINLTDL30/40BLM	Ø40xH.35 cm	3x S14D	2,5 kg	1x GU10 spot downlight, black matt finish
LINLTDL30/40BRBUR	Ø40xH.35 cm	3x S14D	2,5 kg	1x GU10 spot downlight, brass burnished finish
LINLTDL30/40NAW	Ø40xH.35 cm	3x S14D	2,5 kg	1x GU10 spot downlight, nickel aged warm finish
LINLTDL30/40GSF	Ø40xH.35 cm	3x S14D	2,5 kg	1x GU10 spot downlight, gold satin finish



The Linea element collection contains various elements that give the possibility to merge different objects into a composition. The individual elements can be used as stand alone, they can be hung in a composition and a chandelier can be assembled. Chosen can be from the following options:

Suspension options



All elements are supplied with 3 meter electrical cable and a ceiling shade. The beam angle for our GU10 spotlights is 60°.

Specifications are subject to change without prior notice.



Art.nr.	Dimensions	Light bulb	Weight	Finish
LINLT50/70BLM	Ø95xH.65 cm	5x S14D	6,0 kg	black matt finish
LINLT50/70BRBUR	Ø95xH.65 cm	5x S14D	6,0 kg	brass burnished finish
LINLT50/70NAW	Ø95xH.65 cm	5x S14D	6,0 kg	nickel aged warm finish
LINLT50/70GSF	Ø95xH.65 cm	5x S14D	6,0 kg	gold satin finish

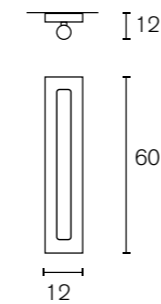
Element with downlight

Art.nr.	Dimensions	Light bulb	Weight	Finish
LINLTDL50/70BLM	Ø95xH.75 cm	5x S14D	8,0 kg	1x GU10 spot downlight, black matt finish
LINLTDL50/70BRBUR	Ø95xH.75 cm	5x S14D	8,0 kg	1x GU10 spot downlight, brass burnished finish
LINLTDL50/70NAW	Ø95xH.75 cm	5x S14D	8,0 kg	1x GU10 spot downlight, nickel aged warm finish
LINLTDL50/70GSF	Ø95xH.75 cm	5x S14D	8,0 kg	1x GU10 spot downlight, gold satin finish



Wall lamp

Art.nr.	Dimensions	Light bulb	Weight	Finish
LINW60BLM	L.12xW.12xH.60 cm	1x S14D	4,0 kg	black matt finish
LINW60BRBUR	L.12xW.12xH.60 cm	1x S14D	4,0 kg	brass burnished finish
LINW60NAW	L.12xW.12xH.60 cm	1x S14D	4,0 kg	nickel aged warm finish
LINW60GSF	L.12xW.12xH.60 cm	1x S14D	4,0 kg	gold satin finish

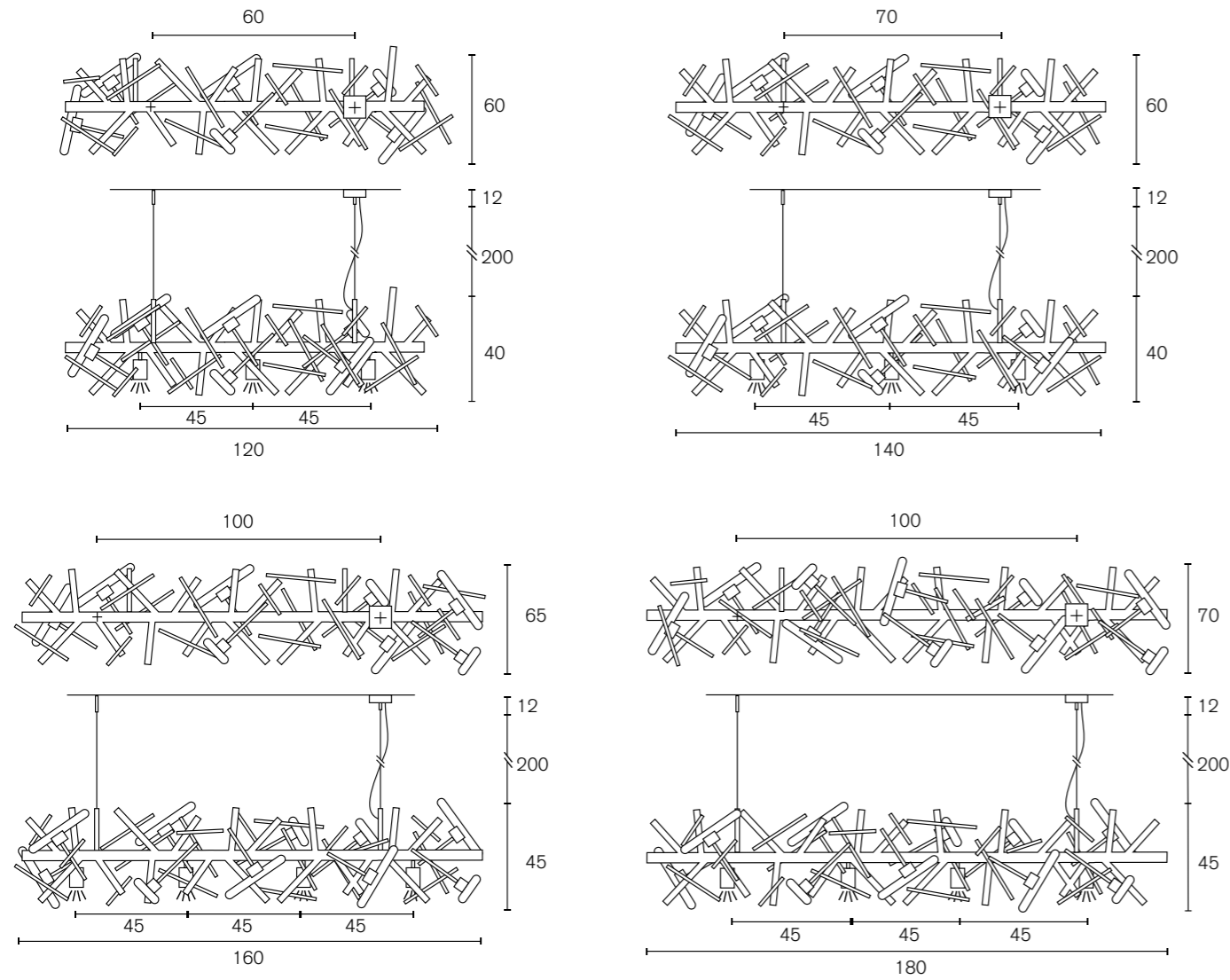


All elements are supplied with 2 meter steel cable, 2 meter electrical cable and a ceiling shade. The beam angle for our GU10 spotlights is 60°. Wall lamps will be applied with a protective nano wax if ordered in brass burnished or copper burnished finish.

Specifications are subject to change without prior notice.



Art.nr.	Dimensions	Light bulb	Weight	Finish
LINHL120BLM	L.120xW.60xH.40 cm	6x S14D	12,0 kg	3x GU10 spot downlight, black matt finish
LINHL120BRBUR	L.120xW.60xH.40 cm	6x S14D	12,0 kg	3x GU10 spot downlight, brass burnished finish
LINHL120NAW	L.120xW.60xH.40 cm	6x S14D	12,0 kg	3x GU10 spot downlight, nickel aged warm finish
LINHL120GSF	L.120xW.60xH.40 cm	6x S14D	12,0 kg	3x GU10 spot downlight, gold satin finish
LINHL140BLM	L.140xW.60xH.40 cm	6x S14D	15,0 kg	3x GU10 spot downlight, black matt finish
LINHL140BRBUR	L.140xW.60xH.40 cm	6x S14D	15,0 kg	3x GU10 spot downlight, brass burnished finish
LINHL140NAW	L.140xW.60xH.40 cm	6x S14D	15,0 kg	3x GU10 spot downlight, nickel aged warm finish
LINHL140GSF	L.140xW.60xH.40 cm	6x S14D	15,0 kg	3x GU10 spot downlight, gold satin finish
LINHL160BLM	L.160xW.65xH.45 cm	8x S14D	22,0 kg	4x GU10 spot downlight, black matt finish
LINHL160BRBUR	L.160xW.65xH.45 cm	8x S14D	22,0 kg	4x GU10 spot downlight, brass burnished finish
LINHL160NAW	L.160xW.65xH.45 cm	8x S14D	22,0 kg	4x GU10 spot downlight, nickel aged warm finish
LINHL160GSF	L.160xW.65xH.45 cm	8x S14D	22,0 kg	4x GU10 spot downlight, gold satin finish
LINHL180BLM	L.180xW.70xH.45 cm	8x S14D	24,0 kg	4x GU10 spot downlight, black matt finish
LINHL180BRBUR	L.180xW.70xH.45 cm	8x S14D	24,0 kg	4x GU10 spot downlight, brass burnished finish
LINHL180NAW	L.180xW.70xH.45 cm	8x S14D	24,0 kg	4x GU10 spot downlight, nickel aged warm finish
LINHL180GSF	L.180xW.70xH.45 cm	8x S14D	24,0 kg	4x GU10 spot downlight, gold satin finish

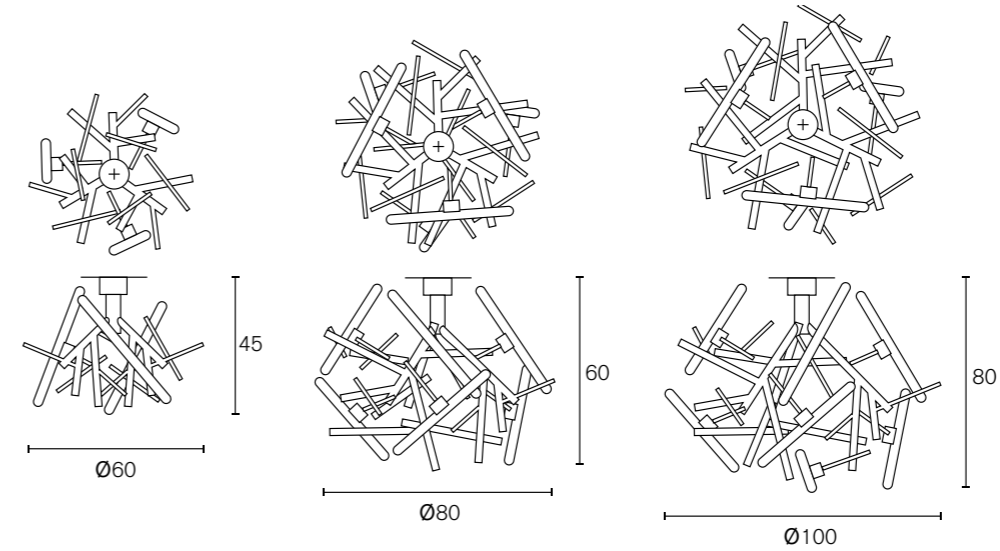


Standard all hanging lamps long will be delivered with reflector bars in finish of the lamp. The reflector bars can be delivered in various finishes on request. All hanging lamps are supplied with 2 meter steel cable, 2 meter electrical cable and a ceiling shade.

Specifications are subject to change without prior notice.



Art.nr.	Dimensions	Light bulb	Weight	Finish
LINP60BLM	Ø60xH.45 cm	3x S14D	9,0 kg	black matt finish
LINP60BRBUR	Ø60xH.45 cm	3x S14D	9,0 kg	brass burnished finish
LINP60NAW	Ø60xH.45 cm	3x S14D	9,0 kg	nickel aged warm finish
LINP60GSF	Ø60xH.45 cm	3x S14D	9,0 kg	gold satin finish
LINP80BLM	Ø80xH.60 cm	6x S14D	14,0 kg	black matt finish
LINP80BRBUR	Ø80xH.60 cm	6x S14D	14,0 kg	brass burnished finish
LINP80NAW	Ø80xH.60 cm	6x S14D	14,0 kg	nickel aged warm finish
LINP80GSF	Ø80xH.60 cm	6x S14D	14,0 kg	gold satin finish
LINP100BLM	Ø100xH.80 cm	6x S14D	19,0 kg	black matt finish
LINP100BRBUR	Ø100xH.80 cm	6x S14D	19,0 kg	brass burnished finish
LINP100NAW	Ø100xH.80 cm	6x S14D	19,0 kg	nickel aged warm finish
LINP100GSF	Ø100xH.80 cm	6x S14D	19,0 kg	gold satin finish



Standard the Linea will be delivered with reflector bars in finish of the lamp. The reflector bars can be delivered in various finishes on request.

Specifications are subject to change without prior notice.

Collection Galaxy



GALC80GSF

Galaxy Chandelier Round (Ø80xH.60 cm, gold satin finish, 3 x E27, 8 kg)

Specifications are subject to change without prior notice.

Collection Galaxy

Chandelier Round



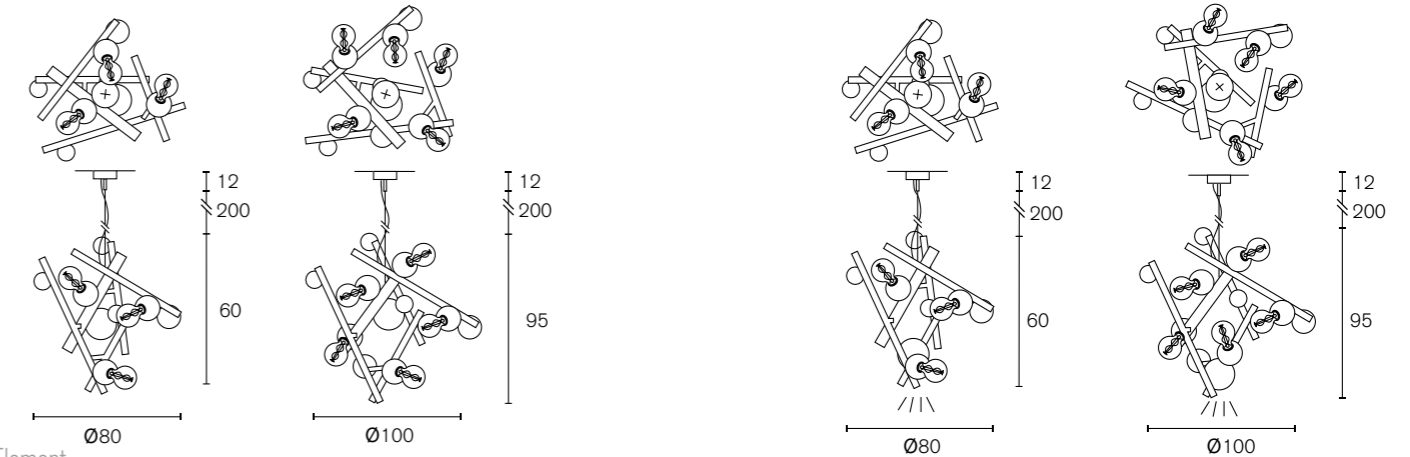
Collection Images page 30-39, 292

Art.nr.	Dimensions	Light bulb	Weight	Finish
GALC80BLM	Ø80xH.60 cm	3x E27	8,0 kg	black matt finish
GALC80BR	Ø80xH.60 cm	3x E27	8,0 kg	brass finish
GALC80BRBUR	Ø80xH.60 cm	3x E27	8,0 kg	brass burnished finish
GALC80NAW	Ø80xH.60 cm	3x E27	8,0 kg	nickel aged warm finish
GALC80GSF	Ø80xH.60 cm	3x E27	8,0 kg	gold satin finish
GALC100BLM	Ø100xH.95 cm	5x E27	13,0 kg	black matt finish
GALC100BR	Ø100xH.95 cm	5x E27	13,0 kg	brass finish
GALC100BRBUR	Ø100xH.95 cm	5x E27	13,0 kg	brass burnished finish
GALC100NAW	Ø100xH.95 cm	5x E27	13,0 kg	nickel aged warm finish
GALC100GSF	Ø100xH.95 cm	5x E27	13,0 kg	gold satin finish

Chandelier Round with downlight

Collection Images page 30-39

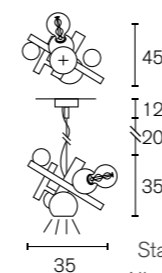
Art.nr.	Dimensions	Light bulb	Weight	Finish
GALCDL80BLM	Ø80xH.60 cm	3x E27	10,0 kg	1x GU10 spot downlight, black matt finish
GALCDL80BR	Ø80xH.60 cm	3x E27	10,0 kg	1x GU10 spot downlight, brass finish
GALCDL80BRBUR	Ø80xH.60 cm	3x E27	10,0 kg	1x GU10 spot downlight, brass burnished finish
GALCDL80NAW	Ø80xH.60 cm	3x E27	10,0 kg	1x GU10 spot downlight, nickel aged warm finish
GALCDL80GSF	Ø80xH.60 cm	3x E27	10,0 kg	1x GU10 spot downlight, gold satin finish
GALCDL100BLM	Ø100xH.95 cm	5x E27	15,0 kg	1x GU10 spot downlight, black matt finish
GALCDL100BR	Ø100xH.95 cm	5x E27	15,0 kg	1x GU10 spot downlight, brass finish
GALCDL100BRBUR	Ø100xH.95 cm	5x E27	15,0 kg	1x GU10 spot downlight, brass burnished finish
GALCDL100NAW	Ø100xH.95 cm	5x E27	13,0 kg	1x GU10 spot downlight, nickel aged warm finish
GALCDL100GSF	Ø100xH.95 cm	5x E27	15,0 kg	1x GU10 spot downlight, gold satin finish



Element

Collection Images page 38-39

Art.nr.	Dimensions	Light bulb	Weight	Finish
GALDL45BLM	L.35xW.45xH.35 cm	1x E27	5,0 kg	1x GU10 spot downlight, black matt finish
GALDL45BR	L.35xW.45xH.35 cm	1x E27	5,0 kg	1x GU10 spot downlight, brass finish
GALDL45BRBUR	L.35xW.45xH.35 cm	1x E27	5,0 kg	1x GU10 spot downlight, brass burnished finish
GALDL45NAW	L.35xW.45xH.35 cm	1x E27	5,0 kg	1x GU10 spot downlight, nickel aged warm finish
GALDL45GSF	L.35xW.45xH.35 cm	1x E27	5,0 kg	1x GU10 spot downlight, gold satin finish



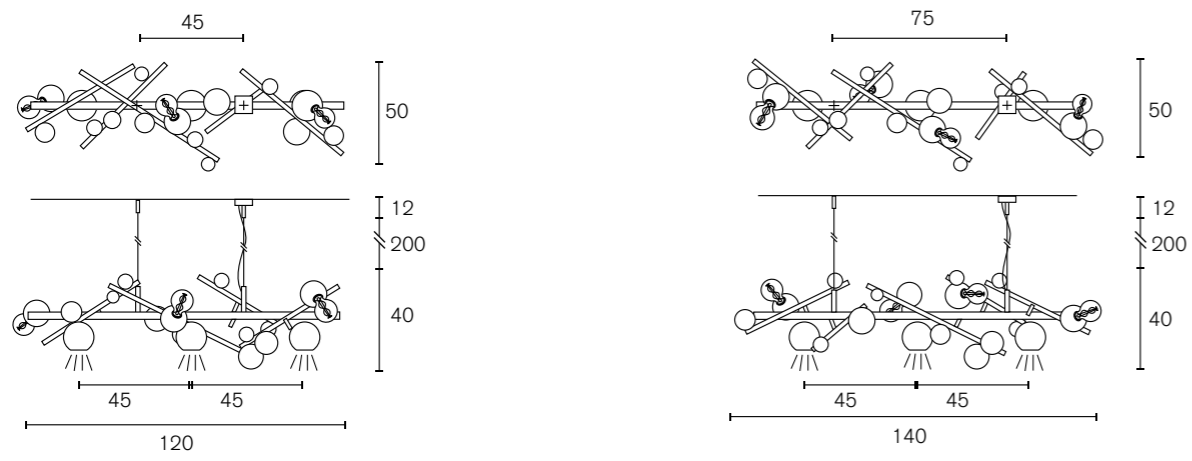
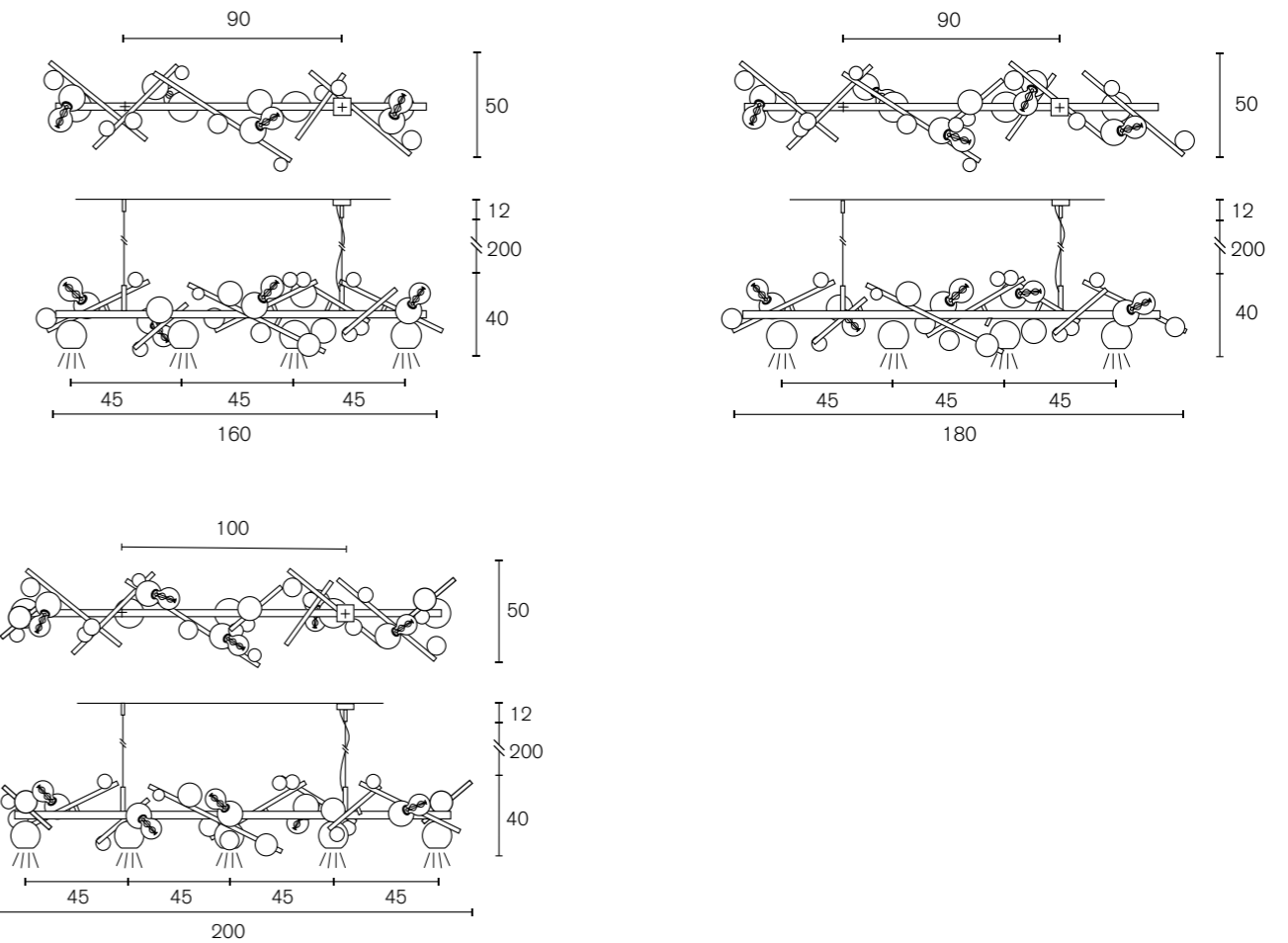
Standard the Galaxy will be delivered with the globes in the same finish of the lamp. The globes can be delivered in various finishes on request. All chandeliers are supplied with 2 meter steel cable, 2 meter electrical cable and a ceiling shade. The beam angle for our GU10 spotlights is 60°. All elements and art elements are supplied with 3 meter electrical cable and a ceiling shade.

Specifications are subject to change without prior notice.

Hanging Lamp Long

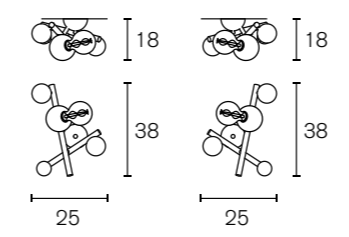
Collection Images page 40

Art.nr.	Dimensions	Light bulb	Weight	Finish
GALHL120BLM	L.120xW.50xH.40 cm	3x E27	13,0 kg	3x GU10 spot downlight, black matt finish
GALHL120BR	L.120xW.50xH.40 cm	3x E27	13,0 kg	3x GU10 spot downlight, brass finish
GALHL120BRBUR	L.120xW.50xH.40 cm	3x E27	13,0 kg	3x GU10 spot downlight, brass burnished finish
GALHL120NAW	L.120xW.50xH.40 cm	3x E27	13,0 kg	3x GU10 spot downlight, nickel aged warm finish
GALHL120GSF	L.120xW.50xH.40 cm	3x E27	13,0 kg	3x GU10 spot downlight, gold satin finish
GALHL140BLM	L.140xW.50xH.40 cm	4x E27	14,0 kg	3x GU10 spot downlight, black matt finish
GALHL140BR	L.140xW.50xH.40 cm	4x E27	14,0 kg	3x GU10 spot downlight, brass finish
GALHL140BRBUR	L.140xW.50xH.40 cm	4x E27	14,0 kg	3x GU10 spot downlight, brass burnished finish
GALHL140NAW	L.140xW.50xH.40 cm	4x E27	14,0 kg	3x GU10 spot downlight, nickel aged warm finish
GALHL140GSF	L.140xW.50xH.40 cm	4x E27	14,0 kg	3x GU10 spot downlight, gold satin finish
GALHL160BLM	L.160xW.50xH.40 cm	4x E27	20,0 kg	4x GU10 spot downlight, black matt finish
GALHL160BR	L.160xW.50xH.40 cm	4x E27	20,0 kg	4x GU10 spot downlight, brass finish
GALHL160BRBUR	L.160xW.50xH.40 cm	4x E27	20,0 kg	4x GU10 spot downlight, brass burnished finish
GALHL160NAW	L.160xW.50xH.40 cm	4x E27	20,0 kg	4x GU10 spot downlight, nickel aged warm finish
GALHL160GSF	L.160xW.50xH.40 cm	4x E27	20,0 kg	4x GU10 spot downlight, gold satin finish
GALHL180BLM	L.180xW.50xH.40 cm	4x E27	32,0 kg	4x GU10 spot downlight, black matt finish
GALHL180BR	L.180xW.50xH.40 cm	4x E27	32,0 kg	4x GU10 spot downlight, brass finish
GALHL180BRBUR	L.180xW.50xH.40 cm	4x E27	32,0 kg	4x GU10 spot downlight, brass burnished finish
GALHL180NAW	L.180xW.50xH.40 cm	4x E27	32,0 kg	4x GU10 spot downlight, nickel aged warm finish
GALHL180GSF	L.180xW.50xH.40 cm	4x E27	32,0 kg	4x GU10 spot downlight, gold satin finish
GALHL200BLM	L.200xW.50xH.40 cm	5x E27	35,0 kg	5x GU10 spot downlight, black matt finish
GALHL200BR	L.200xW.50xH.40 cm	5x E27	35,0 kg	5x GU10 spot downlight, brass finish
GALHL200BRBUR	L.200xW.50xH.40 cm	5x E27	35,0 kg	5x GU10 spot downlight, brass burnished finish
GALHL200NAW	L.200xW.50xH.40 cm	5x E27	35,0 kg	5x GU10 spot downlight, nickel aged warm finish
GALHL200GSF	L.200xW.50xH.40 cm	5x E27	35,0 kg	5x GU10 spot downlight, gold satin finish



Wall lamp

Art.nr.	Dimensions	Light bulb	Weight	Finish
GALW40BLM-R	W.32xH.40cmxD.20 cm	1 x E27	2,2 kg	black matt finish
GALW40BLM-L	W.32xH.40cmxD.20 cm	1 x E27	2,2 kg	black matt finish
GALW40BR-R	W.32xH.40cmxD.20 cm	1 x E27	2,2 kg	brass finish
GALW40BR-L	W.32xH.40cmxD.20 cm	1 x E27	2,2 kg	brass finish
GALW40BRBUR-R	W.32xH.40cmxD.20 cm	1 x E27	2,2 kg	brass burnished finish
GALW40BRBUR-L	W.32xH.40cmxD.20 cm	1 x E27	2,2 kg	brass burnished finish
GALW40NAW-R	W.32xH.40cmxD.20 cm	1 x E27	2,2 kg	nickel aged warm finish
GALW40NAW-L	W.32xH.40cmxD.20 cm	1 x E27	2,2 kg	nickel aged warm finish
GALW40GSF-R	W.32xH.40cmxD.20 cm	1 x E27	2,2 kg	gold satin finish
GALW40GSF-L	W.32xH.40cmxD.20 cm	1 x E27	2,2 kg	gold satin finish



Left version Right version

Standard the Galaxy will be delivered with the globes in the same finish of the lamp. The globes can be delivered in various finishes on request. All elements are supplied with 2 meter steel cable, 2 meter electrical cable and a ceiling shade. The beam angle for our GU10 spotlights is 60°. All hanging lamps long are supplied with 2 meter steel cable, 2 meter electrical cable and a ceiling shade.

Standard the Galaxy will be delivered with the globes in the same finish of the lamp. The globes can be delivered in various finishes on request. All hanging lamps long are supplied with 2 meter steel cable, 2 meter electrical cable and a ceiling shade. The beam angle for our GU10 spotlights is 60°.

Specifications are subject to change without prior notice.

Specifications are subject to change without prior notice.

Collection Orpheus



ORC35BDP-MAL LIMITED AVAILABILITY

Orpheus-Malachite Art Element (Ø35xH.80 cm, cast bronze dark patina finish with Malachite, 1x GU10, 4,0 kg)

Specifications are subject to change without prior notice.

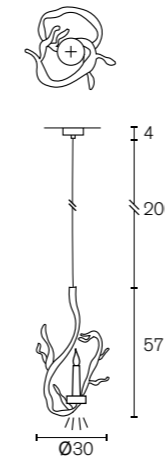
Collection Orpheus



Element

Collection Images page 45

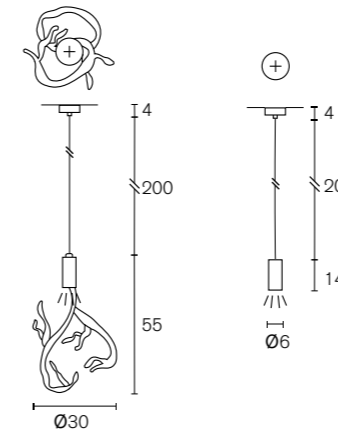
Art.nr.	Dimensions	Light bulb	Weight	Finish
OR30-CANDBRA	Ø30xH.57 cm	1x E14	3,0 kg	1x GU10 spot downlight, brass aged finish



Element

Collection Images page 42-43

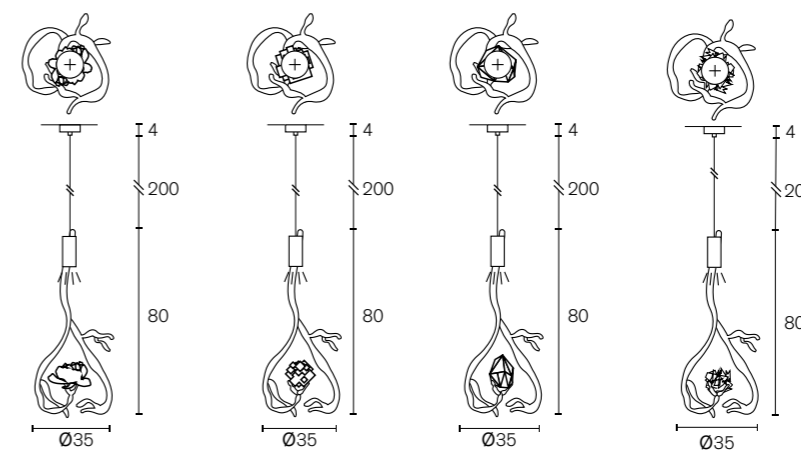
Art.nr.	Dimensions	Light bulb	Weight	Finish
ORC35BDP-TWIG	Ø30xH.55 cm	1x GU10	3,0 kg	cast bronze dark patina
OR14DL-BDP	Ø6xH.14 cm	1x GU10	1,0 kg	cast bronze dark patina



Art Element

Collection Images page 42-47, 297, 299

Art.nr.	Dimensions	Light bulb	Weight	Finish
ORC35BDP-NYMR	Ø35xH.80 cm	1x GU10	4,0 kg	cast bronze dark patina with Nymphenburg rose - LIMITED EDITION
ORC35BDP-AM	Ø35xH.80 cm	1x GU10	4,0 kg	cast bronze dark patina with amethyst
ORC35BDP-PYR	Ø35xH.80 cm	1x GU10	4,0 kg	cast bronze dark patina with pyrite
ORC35BDP-MAL	Ø35xH.80 cm	1x GU10	4,0 kg	cast bronze dark patina with malachite - LIMITED AVAILABILITY



Due to the scarcity of (semi)precious stones and minerals, we need to check availability before an order can be confirmed.

All (semi)precious stones differ from each other in size and shape.

All elements and art elements are supplied with 3 meter electrical cable and a ceiling shade.

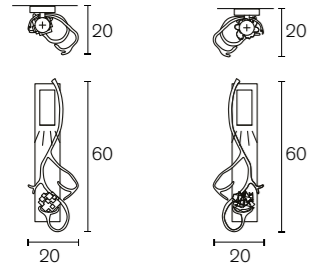
The beam angle for our GU10 spotlights is 60°.

Specifications are subject to change without prior notice.

Wall lamp

Collection Images page 45

Art.nr.	Dimensions	Light bulb	Weight	Finish
ORW60DBP-NYMR-R	W.20xH.60xD.20 cm	1 x GU10	6,0 kg	cast bronze dark patina with Nymphenburg rose - LIMITED EDITION
ORW60DBP-NYMR-L	W.20xH.60xD.20 cm	1 x GU10	6,0 kg	cast bronze dark patina with Nymphenburg rose - LIMITED EDITION
ORW60BDP-AM-R	W.20xH.60xD.20 cm	1 x GU10	6,0 kg	cast bronze dark patina with amethyst
ORW60BDP-AM-L	W.20xH.60xD.20 cm	1 x GU10	6,0 kg	cast bronze dark patina with amethyst
ORW60BDP-PYR-R	W.20xH.60xD.20 cm	1 x GU10	6,0 kg	cast bronze dark patina with pyrite
ORW60BDP-PYR-L	W.20xH.60xD.20 cm	1 x GU10	6,0 kg	cast bronze dark patina with pyrite
ORW60BDP-MAL-R	W.20xH.60xD.20 cm	1 x GU10	6,0 kg	cast bronze dark patina with malachite - LIMITED AVAILABILITY
ORW60BDP-MAL-L	W.20xH.60xD.20 cm	1 x GU10	6,0 kg	cast bronze dark patina with malachite - LIMITED AVAILABILITY



Left version

Right version

Options

Due to the scarcity of precious stones and minerals, we need to check availability before an order can be confirmed.
All precious stones differ from each other in size and shape.



Nymphenburg Rose
LIMITED EDITION

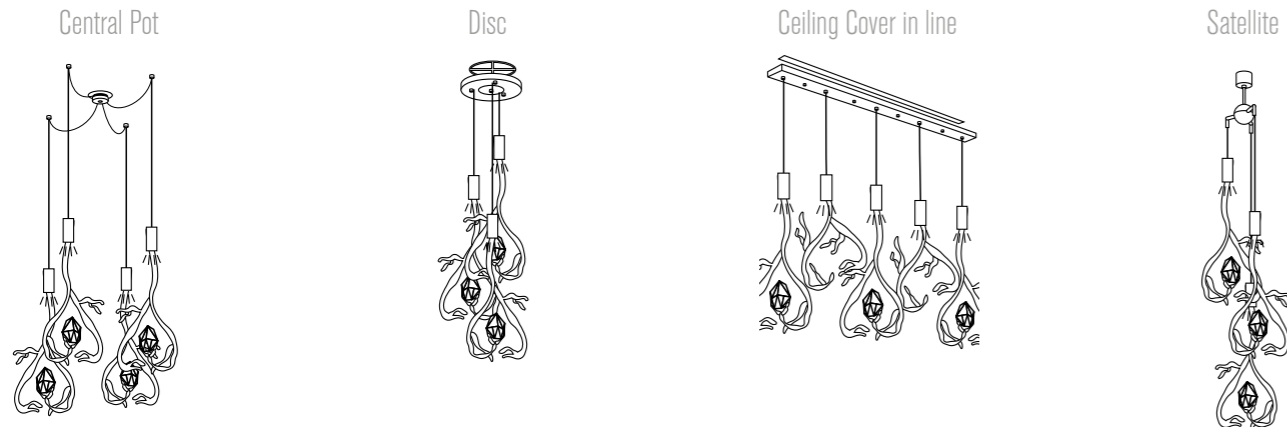
Pyrite

Malachite
LIMITED AVAILABILITY

Amethyst

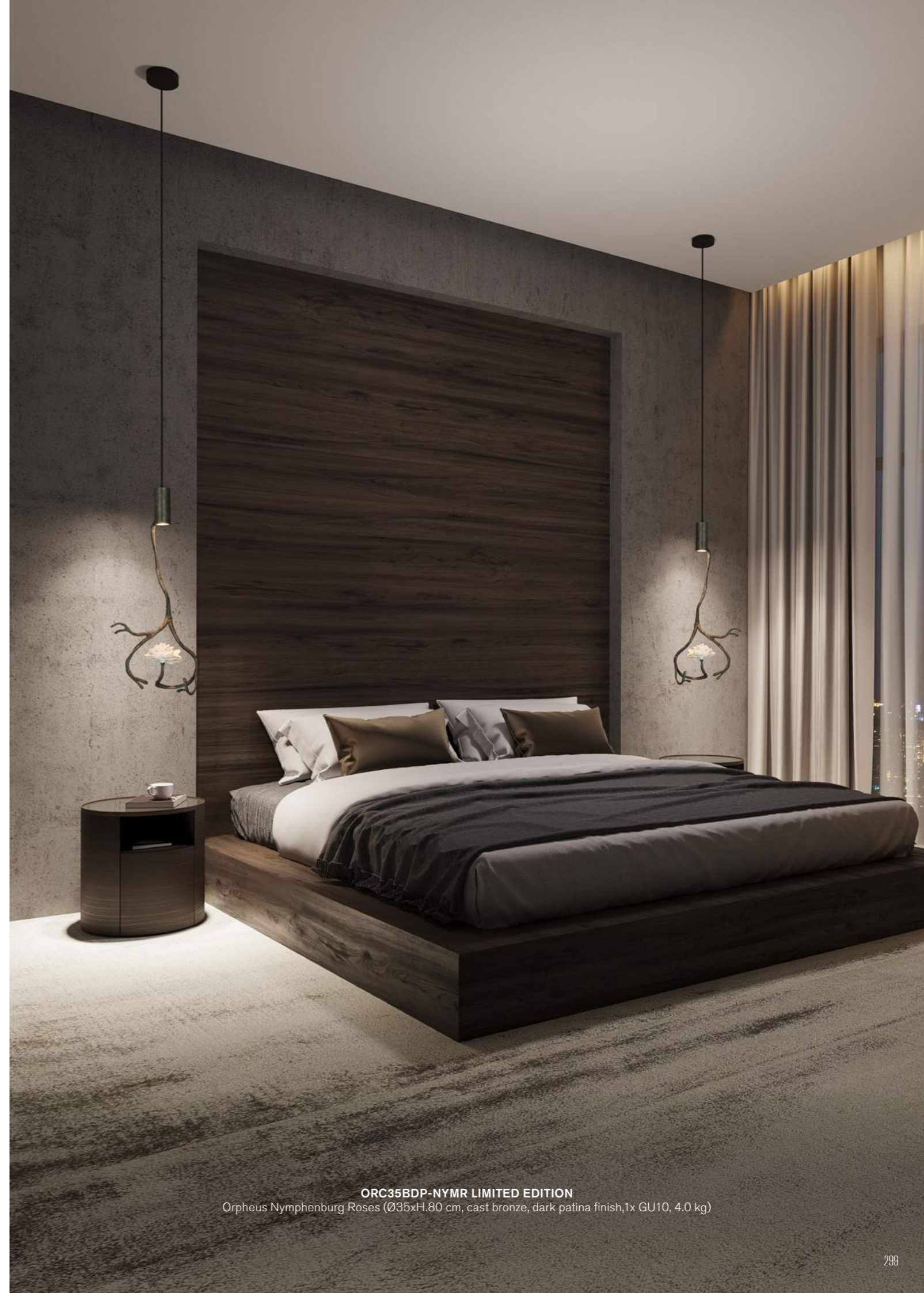
The Orpheus element collection contains various elements that give the possibility to merge different objects into a composition. The individual elements can be used as stand alone, they can be hung in a composition and a chandelier can be assembled.
Chosen can be from the following options:

Suspension options



All elements and art elements are supplied with 3 meter electrical cable and a ceiling shade.
The beam angle for our GU10 spotlights is 60°.

Specifications are subject to change without prior notice.



ORC35BDP-NYMR LIMITED EDITION
Orpheus Nymphenburg Roses (Ø35xH.80 cm, cast bronze, dark patina finish, 1x GU10, 4.0 kg)

Collection Louise



LO8BLM

Louise Hanging Lamp in black matt finish with bronze, satin, grey and iridescent glass lanterns
(Ø 60cm, H.205cm, black matt finish, 2x GLLOSAT22, 2x GLLOBRO22, 2x GLLIIRI22, 2x GLLGREY22, 8x E27, 28,0 kg)

Specifications are subject to change without prior notice.

Collection Louise



Lanterns

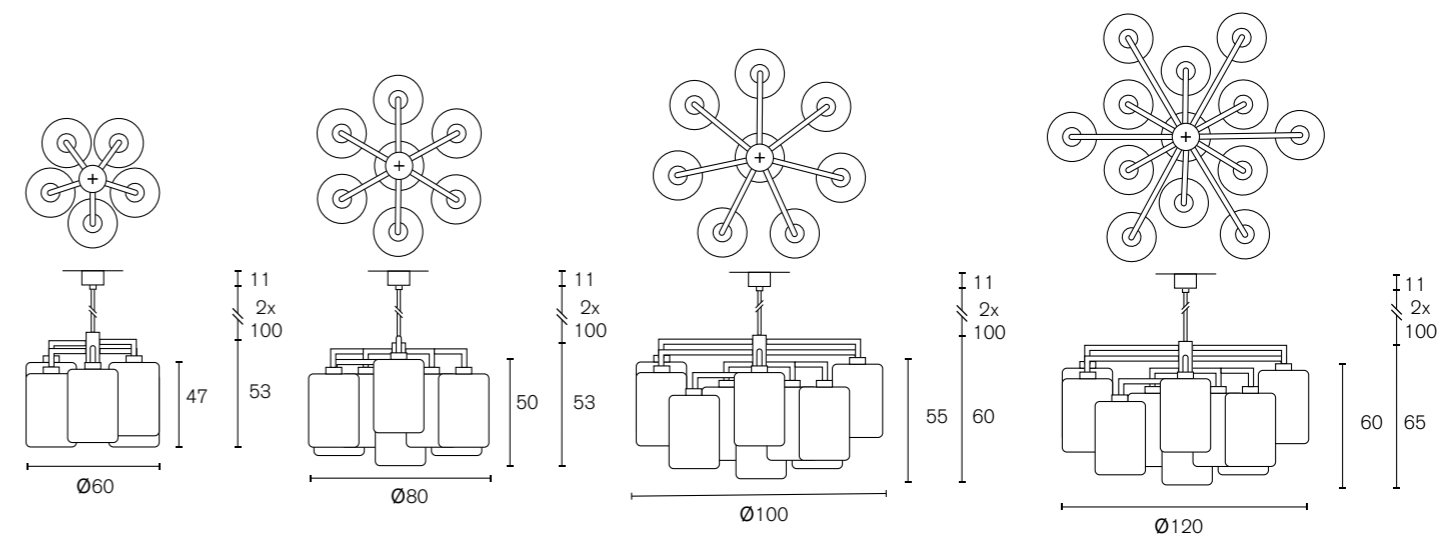
Art.nr.	Finish
GLLOBRO22	Louise, Glass Bronze Ø22cm
GLOGREY22	Louise, Glass Grey Ø22cm
GLOIRI22	Louise, Glass Iridescent Ø22cm
GLLOSAT22	Louise, Glass Satin Ø22cm



Chandelier Round

Collection Images page 56-57

Art.nr.	Dimensions	Light bulb	Weight	Finish
LOC60BLM	Ø60xH.53 cm	5x E27	19,0 kg	black matt finish
LOC60N	Ø60xH.53 cm	5x E27	19,0 kg	nickel finish
LOC60BR	Ø60xH.53 cm	5x E27	19,0 kg	brass finish
LOC60BRBUR	Ø60xH.53 cm	5x E27	19,0 kg	brass burnished finish
LOC60NAW	Ø60xH.53 cm	5x E27	19,0 kg	nickel aged warm finish
LOC60GSF	Ø60xH.53 cm	5x E27	19,0 kg	gold satin finish
LOC80BLM	Ø80xH.53 cm	7x E27	25,0 kg	black matt finish
LOC80N	Ø80xH.53 cm	7x E27	25,0 kg	nickel finish
LOC80BR	Ø80xH.53 cm	7x E27	25,0 kg	brass finish
LOC80BRBUR	Ø80xH.53 cm	7x E27	25,0 kg	brass burnished finish
LOC80NAW	Ø80xH.53 cm	7x E27	25,0 kg	nickel aged warm finish
LOC80GSF	Ø80xH.53 cm	7x E27	25,0 kg	gold satin finish
LOC100BLM	Ø100xH.60 cm	8x E27	37,0 kg	black matt finish
LOC100N	Ø100xH.60 cm	8x E27	37,0 kg	nickel finish
LOC100BR	Ø100xH.60 cm	8x E27	37,0 kg	brass finish
LOC100BRBUR	Ø100xH.60 cm	8x E27	37,0 kg	brass burnished finish
LOC100NAW	Ø100xH.60 cm	8x E27	37,0 kg	nickel aged warm finish
LOC100GSF	Ø100xH.60 cm	8x E27	37,0 kg	gold satin finish
LOC120BLM	Ø120xH.65 cm	13x E27	42,0 kg	black matt finish
LOC120N	Ø120xH.65 cm	13x E27	42,0 kg	nickel finish
LOC120BR	Ø120xH.65 cm	13x E27	42,0 kg	brass finish
LOC120BRBUR	Ø120xH.65 cm	13x E27	42,0 kg	brass burnished finish
LOC120NAW	Ø120xH.65 cm	13x E27	42,0 kg	nickel aged warm finish
LOC120GSF	Ø120xH.65 cm	13x E27	42,0 kg	gold satin finish

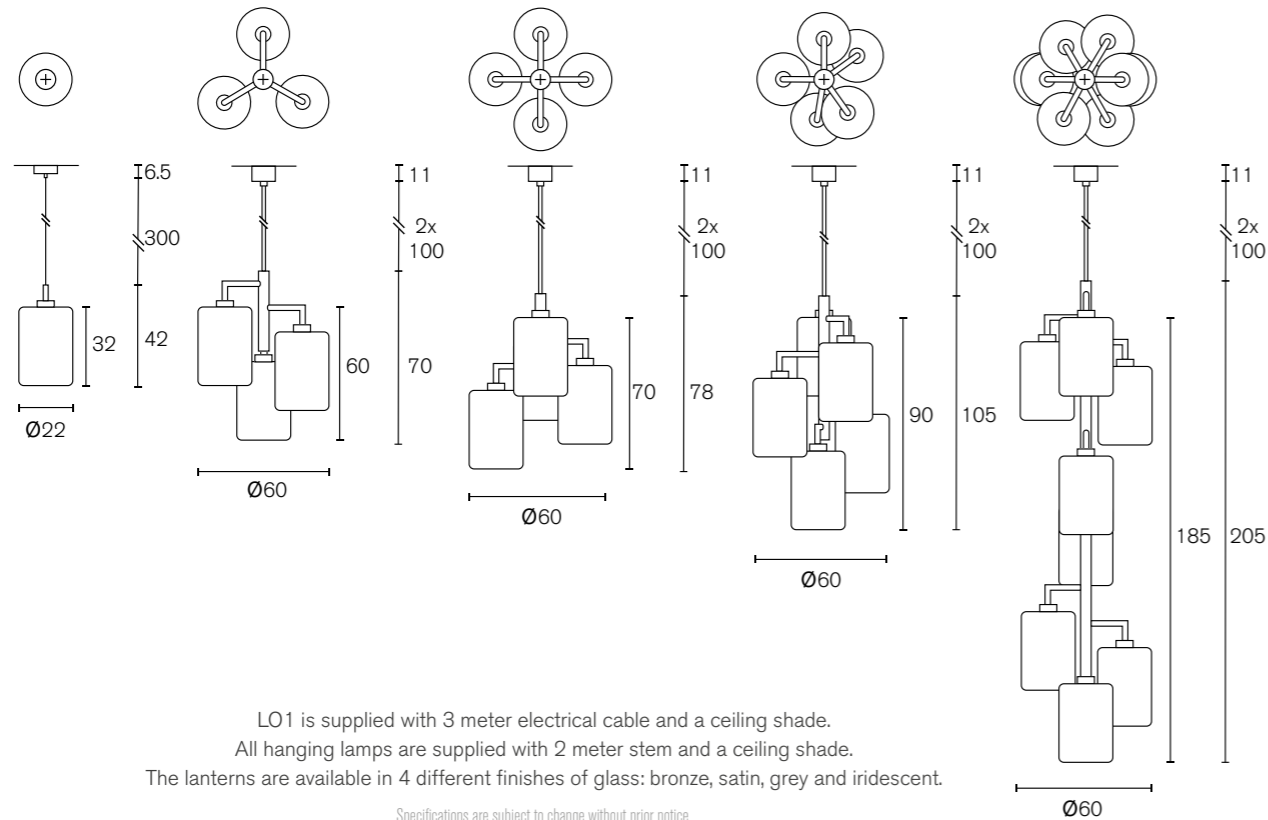


The lanterns are available in 4 different finishes of glass: bronze, satin, grey and iridescent.
All chandeliers are supplied with 2 meter stem and a ceiling shade.

Specifications are subject to change without prior notice.



Art.nr.	Dimensions	Light bulb	Weight	Finish
LO1BLM	Ø22xH.42 cm	1x E27	2,4 kg	black matt finish
LO1N	Ø22xH.42 cm	1x E27	2,4 kg	nickel finish
LO1BR	Ø22xH.42 cm	1x E27	2,4 kg	brass finish
LO1BRBUR	Ø22xH.42 cm	1x E27	2,4 kg	brass burnished finish
LO1NAW	Ø22xH.42 cm	1x E27	2,4 kg	nickel aged warm finish
LO1GSF	Ø22xH.42 cm	1x E27	2,4 kg	gold satin finish
LO3BLM	Ø60xH.70 cm	3x E27	11,5 kg	black matt finish
LO3N	Ø60xH.70 cm	3x E27	11,5 kg	nickel finish
LO3BR	Ø60xH.70 cm	3x E27	11,5 kg	brass finish
LO3BRBUR	Ø60xH.70 cm	3x E27	11,5 kg	brass burnished finish
LO3NAW	Ø60xH.70 cm	3x E27	11,5 kg	nickel aged warm finish
LO3GSF	Ø60xH.70 cm	3x E27	11,5 kg	gold satin finish
LO4BLM	Ø60xH.78 cm	4x E27	14,0 kg	black matt finish
LO4N	Ø60xH.78 cm	4x E27	14,0 kg	nickel finish
LO4BR	Ø60xH.78 cm	4x E27	14,0 kg	brass finish
LO4BRBUR	Ø60xH.78 cm	4x E27	14,0 kg	brass burnished finish
LO4NAW	Ø60xH.78 cm	4x E27	14,0 kg	nickel aged warm finish
LO4GSF	Ø60xH.78 cm	4x E27	14,0 kg	gold satin finish
LO5BLM	Ø60xH.105 cm	5x E27	18,0 kg	black matt finish
LO5N	Ø60xH.105 cm	5x E27	18,0 kg	nickel finish
LO5BR	Ø60xH.105 cm	5x E27	18,0 kg	brass finish
LO5BRBUR	Ø60xH.105 cm	5x E27	18,0 kg	brass burnished finish
LO5NAW	Ø60xH.105 cm	5x E27	18,0 kg	nickel aged warm finish
LO5GSF	Ø60xH.105 cm	5x E27	18,0 kg	gold satin finish
LO8BLM	Ø60xH.205 cm	8x E27	28,0 kg	black matt finish
LO8N	Ø60xH.205 cm	8x E27	28,0 kg	nickel finish
LO8BR	Ø60xH.205 cm	8x E27	28,0 kg	brass finish
LO8BRBUR	Ø60xH.205 cm	8x E27	28,0 kg	brass burnished finish
LO8NAW	Ø60xH.205 cm	8x E27	28,0 kg	nickel aged warm finish
LO8GSF	Ø60xH.205 cm	8x E27	28,0 kg	gold satin finish

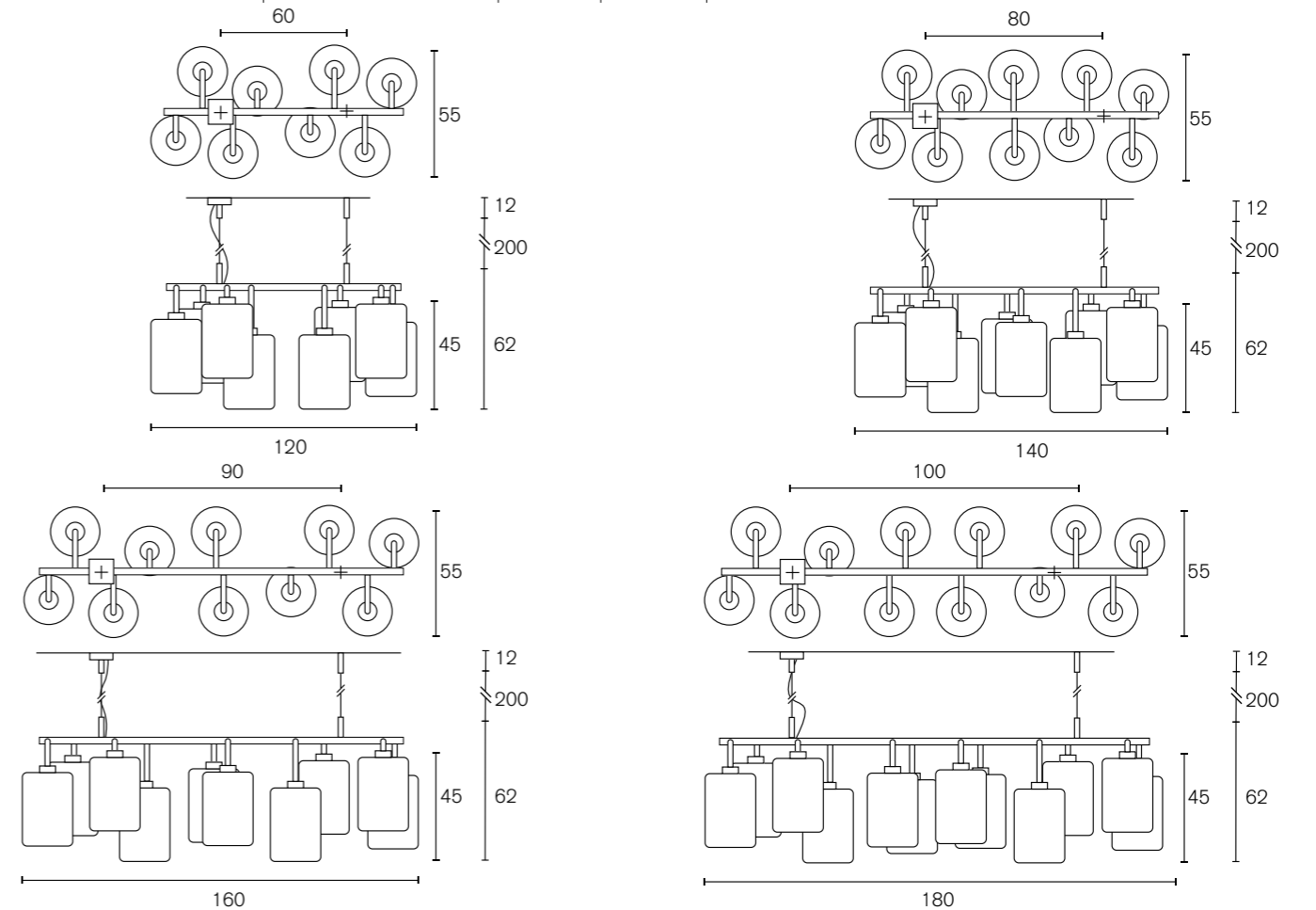


LO1 is supplied with 3 meter electrical cable and a ceiling shade.
 All hanging lamps are supplied with 2 meter stem and a ceiling shade.
 The lanterns are available in 4 different finishes of glass: bronze, satin, grey and iridescent.

Specifications are subject to change without prior notice.



Art.nr.	Dimensions	Light bulb	Weight	Finish
LOHL120BLM	L.120xW.55xH.62 cm	8x E27	28,0 kg	black matt finish
LOHL120N	L.120xW.55xH.62 cm	8x E27	28,0 kg	nickel finish
LOHL120BR	L.120xW.55xH.62 cm	8x E27	28,0 kg	brass finish
LOHL120BRBUR	L.120xW.55xH.62 cm	8x E27	28,0 kg	brass burnished finish
LOHL120NAW	L.120xW.55xH.62 cm	8x E27	28,0 kg	nickel aged warm finish
LOHL120GSF	L.120xW.55xH.62 cm	8x E27	28,0 kg	gold satin finish
LOHL140BLM	L.140xW.55xH.62 cm	10x E27	32,0 kg	black matt finish
LOHL140N	L.140xW.55xH.62 cm	10x E27	32,0 kg	nickel finish
LOHL140BR	L.140xW.55xH.62 cm	10x E27	32,0 kg	brass finish
LOHL140BRBUR	L.140xW.55xH.62 cm	10x E27	32,0 kg	brass burnished finish
LOHL140NAW	L.140xW.55xH.62 cm	10x E27	32,0 kg	nickel aged warm finish
LOHL140GSF	L.140xW.55xH.62 cm	10x E27	32,0 kg	gold satin finish
LOHL160BLM	L.160xW.55xH.62 cm	10x E27	35,0 kg	black matt finish
LOHL160N	L.160xW.55xH.62 cm	10x E27	35,0 kg	nickel finish
LOHL160BR	L.160xW.55xH.62 cm	10x E27	35,0 kg	brass finish
LOHL160BRBUR	L.160xW.55xH.62 cm	10x E27	35,0 kg	brass burnished finish
LOHL160NAW	L.160xW.55xH.62 cm	10x E27	35,0 kg	nickel aged warm finish
LOHL160GSF	L.160xW.55xH.62 cm	10x E27	35,0 kg	gold satin finish
LOHL180BLM	L.180xW.55xH.62 cm	12x E27	42,0 kg	black matt finish
LOHL180N	L.180xW.55xH.62 cm	12x E27	42,0 kg	nickel finish
LOHL180BR	L.180xW.55xH.62 cm	12x E27	42,0 kg	brass finish
LOHL180BRBUR	L.180xW.55xH.62 cm	12x E27	42,0 kg	brass burnished finish
LOHL180NAW	L.180xW.55xH.62 cm	12x E27	42,0 kg	nickel aged warm finish
LOHL180GSF	L.180xW.55xH.62 cm	12x E27	42,0 kg	gold satin finish



The lanterns are available in 4 different finishes of glass: bronze, satin, grey and iridescent.
 All hanging lamps long are supplied with 2 meter steel and electrical cable and a ceiling shade.

Specifications are subject to change without prior notice.



Art.nr.	Dimensions	Light bulb	Weight	Finish
LOP60BLM	Ø60xH.50 cm	3x E27	10,0 kg	black matt finish
LOP60N	Ø60xH.50 cm	3x E27	10,0 kg	nickel finish
LOP60BR	Ø60xH.50 cm	3x E27	10,0 kg	brass finish
LOP60BRBUR	Ø60xH.50 cm	3x E27	10,0 kg	brass burnished finish
LOP60NAW	Ø60xH.50 cm	3x E27	10,0 kg	nickel aged warm finish
LOP60GSF	Ø60xH.50 cm	3x E27	10,0 kg	gold satin finish
LOP80BLM	Ø80xH.50 cm	4x E27	15,0 kg	black matt finish
LOP80N	Ø80xH.50 cm	4x E27	15,0 kg	nickel finish
LOP80BR	Ø80xH.50 cm	4x E27	15,0 kg	brass finish
LOP80BRBUR	Ø80xH.50 cm	4x E27	15,0 kg	brass burnished finish
LOP80NAW	Ø80xH.50 cm	4x E27	15,0 kg	nickel aged warm finish
LOP80GSF	Ø80xH.50 cm	4x E27	15,0 kg	gold satin finish
LOP100BLM	Ø100xH.55 cm	5x E27	20,0 kg	black matt finish
LOP100N	Ø100xH.55 cm	5x E27	20,0 kg	nickel finish
LOP100BR	Ø100xH.55 cm	5x E27	20,0 kg	brass finish
LOP100BRBUR	Ø100xH.55 cm	5x E27	20,0 kg	brass burnished finish
LOP100NAW	Ø100xH.55 cm	5x E27	20,0 kg	nickel aged warm finish
LOP100GSF	Ø100xH.55 cm	5x E27	20,0 kg	gold satin finish

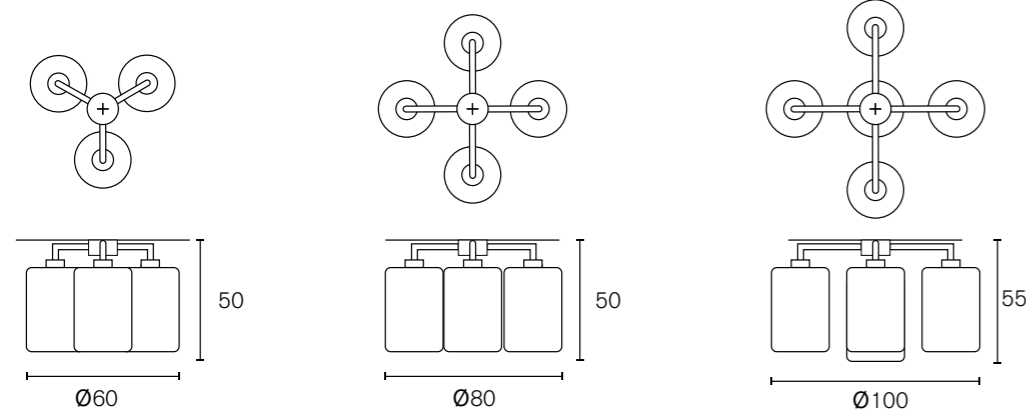
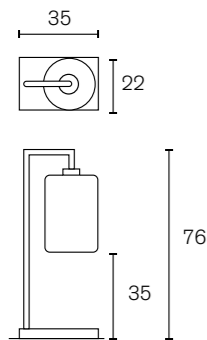


Table Lamp

Art.nr.	Dimensions	Light bulb	Weight	Finish
LOT75BLM	L.35xW.22xH.76 cm	1x E27	8,0 kg	black matt finish
LOT75N	L.35xW.22xH.76 cm	1x E27	8,0 kg	nickel finish
LOT75BR	L.35xW.22xH.76 cm	1x E27	8,0 kg	brass finish
LOT75BRBUR	L.35xW.22xH.76 cm	1x E27	8,0 kg	brass burnished finish
LOT75NAW	L.35xW.22xH.76 cm	1x E27	8,0 kg	nickel aged warm finish
LOT75GSF	L.35xW.22xH.76 cm	1x E27	8,0 kg	gold satin finish

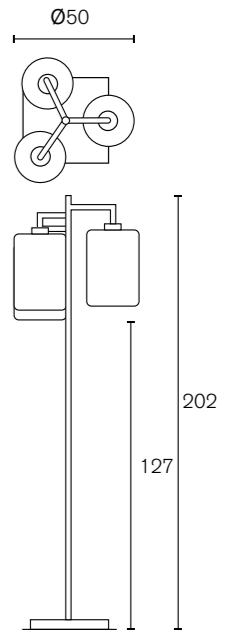
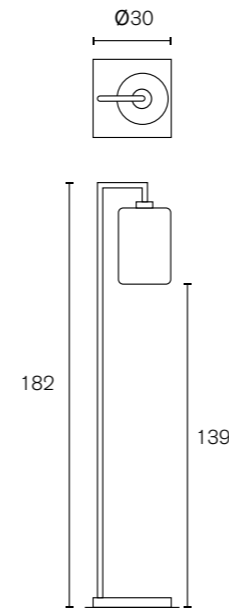


The lanterns are available in 4 different finishes of glass: bronze, satin, grey and iridescent. All table lamps are supplied with a dimmer. Table lamps will be applied with a protective nano wax if ordered in brass burnished or copper burnished finish.

Specifications are subject to change without prior notice.

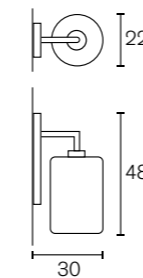


Art.nr.	Dimensions	Light bulb	Weight	Finish
LOF180BLM	Ø30xH.182 cm	1x E27	11,0 kg	black matt finish
LOF180N	Ø30xH.182 cm	1x E27	11,0 kg	nickel finish
LOF180BR	Ø30xH.182 cm	1x E27	11,0 kg	brass finish
LOF180BRBUR	Ø30xH.182 cm	1x E27	11,0 kg	brass burnished finish
LOF180NAW	Ø30xH.182 cm	1x E27	11,0 kg	nickel aged warm finish
LOF180GSF	Ø30xH.182 cm	1x E27	11,0 kg	gold satin finish
LOF200BLM	Ø50xH.202 cm	3x E27	16,0 kg	black matt finish
LOF200N	Ø50xH.202 cm	3x E27	16,0 kg	nickel finish
LOF200BR	Ø50xH.202 cm	3x E27	16,0 kg	brass finish
LOF200BRBUR	Ø50xH.202 cm	3x E27	16,0 kg	brass burnished finish
LOF200NAW	Ø50xH.202 cm	3x E27	16,0 kg	nickel aged warm finish
LOF200GSF	Ø50xH.202 cm	3x E27	16,0 kg	gold satin finish



Wall Lamp

Art.nr.	Dimensions	Light bulb	Weight	Finish
LOW60BLM	L.22xW.30xH.48 cm	1x E27	4,0 kg	black matt finish
LOW60N	L.22xW.30xH.48 cm	1x E27	4,0 kg	nickel finish
LOW60BR	L.22xW.30xH.48 cm	1x E27	4,0 kg	brass finish
LOW60BRBUR	L.22xW.30xH.48 cm	1x E27	4,0 kg	brass burnished finish
LOW60NAW	L.22xW.30xH.48 cm	1x E27	4,0 kg	nickel aged warm finish
LOW60GSF	L.22xW.30xH.48 cm	1x E27	4,0 kg	gold satin finish



The lanterns are available in 4 different finishes of glass: bronze, satin, grey and iridescent. All floor lamps are supplied with a floor dimmer. Floor and wall lamps will be applied with a protective nano wax if ordered in brass burnished or copper burnished finish.

Specifications are subject to change without prior notice.

Collection Ersa

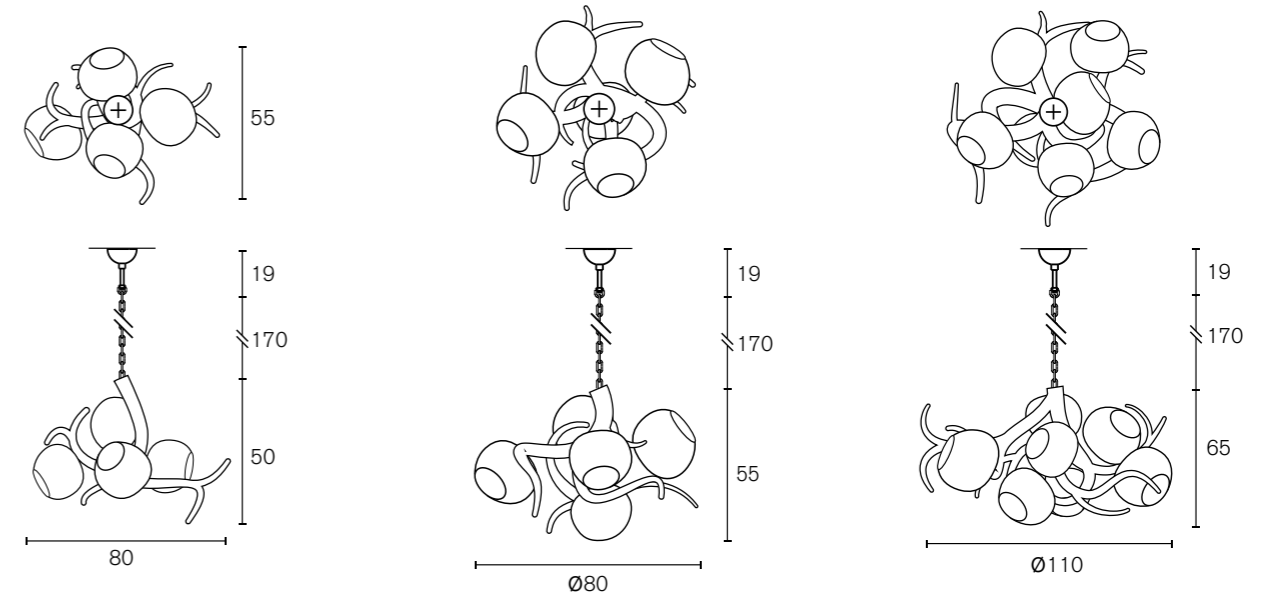
Collection Ersa

Chandelier



Collection Images page 66-67, 70-73

Art.nr.	Dimensions	Light bulb	Weight	Finish
ERSA4BLM-GLIRI	L.80xW.55xH.50 cm	4x E27	11,0 kg	black matt finish, glass sphere iridescent
ERSA4N-GLIRI	L.80xW.55xH.50 cm	4x E27	11,0 kg	nickel finish, glass sphere iridescent
ERSA4BR-GLIRI	L.80xW.55xH.50 cm	4x E27	11,0 kg	brass finish, glass sphere iridescent
ERSA4BRBUR-GLIRI	L.80xW.55xH.50 cm	4x E27	11,0 kg	brass burnished finish, glass sphere iridescent
ERSA4NAW-GLIRI	L.80xW.55xH.50 cm	4x E27	11,0 kg	nickel aged warm finish, glass sphere iridescent
ERSA4GSF-GLIRI	L.80xW.55xH.50 cm	4x E27	11,0 kg	gold satin finish, glass sphere iridescent
ERSAC80BLM-GLIRI	Ø80xH.55 cm	5x E27	15,0 kg	black matt finish, glass sphere iridescent
ERSAC80N-GLIRI	Ø80xH.55 cm	5x E27	15,0 kg	nickel finish, glass sphere iridescent
ERSAC80BR-GLIRI	Ø80xH.55 cm	5x E27	15,0 kg	brass finish, glass sphere iridescent
ERSAC80BRBUR-GLIRI	Ø80xH.55 cm	5x E27	15,0 kg	brass burnished finish, glass sphere iridescent
ERSAC80NAW-GLIRI	Ø80xH.55 cm	5x E27	15,0 kg	nickel aged warm finish, glass sphere iridescent
ERSAC80GSF-GLIRI	Ø80xH.55 cm	5x E27	15,0 kg	gold satin finish, glass sphere iridescent
ERSAC100BLM-GLIRI	Ø110xH.65 cm	7x E27	23,0 kg	black matt finish, glass sphere iridescent
ERSAC100N-GLIRI	Ø110xH.65 cm	7x E27	23,0 kg	nickel finish, glass sphere iridescent
ERSAC100BR-GLIRI	Ø110xH.65 cm	7x E27	23,0 kg	brass finish, glass sphere iridescent
ERSAC100BRBUR-GLIRI	Ø110xH.65 cm	7x E27	23,0 kg	brass burnished finish, glass sphere iridescent
ERSAC100NAW-GLIRI	Ø110xH.65 cm	7x E27	23,0 kg	nickel aged warm finish, glass sphere iridescent
ERSAC100GSF-GLIRI	Ø110xH.65 cm	7x E27	23,0 kg	gold satin finish, glass sphere iridescent



ERSAC120N-GLIRI

Ersa Chandelier Round with iridescent glass spheres (Ø120xH.65 cm, nickel finish, 10x E27, 32,0 kg)

Specifications are subject to change without prior notice.

Catalogue Edition 31

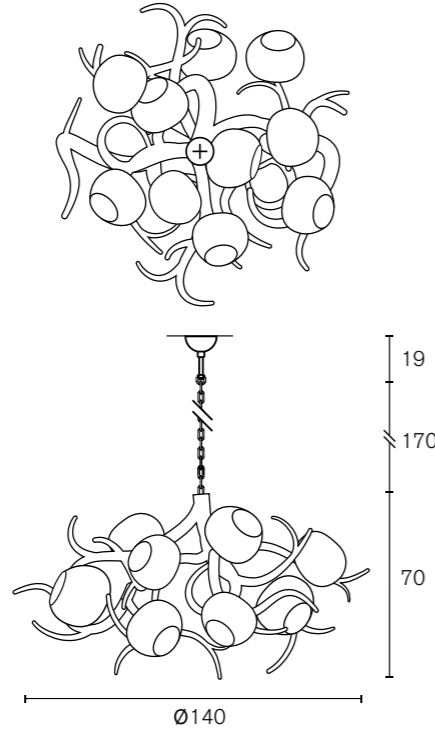
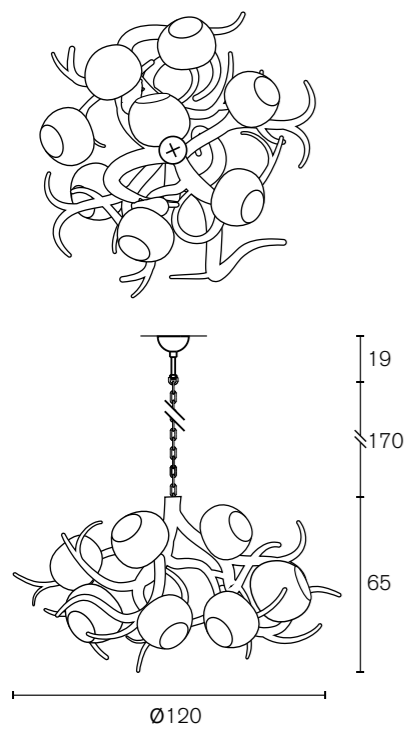
Standard the ERSA will be delivered with iridescent glass spheres. Other options are bronze translucent or clear glass spheres. All chandeliers are supplied with 1,7 meter chain, 2 meter electrical cable and a ceiling shade.

Specifications are subject to change without prior notice.

Catalogue Edition 31



Art.nr.	Dimensions	Light bulb	Weight	Finish
ERSAC120BLM-GLIRI	Ø120xH.65 cm	10x E27	32,0 kg	black matt finish, glass sphere iridescent
ERSAC120N-GLIRI	Ø120xH.65 cm	10x E27	32,0 kg	nickel finish, glass sphere iridescent
ERSAC120BR-GLIRI	Ø120xH.65 cm	10x E27	32,0 kg	brass finish, glass sphere iridescent
ERSAC120BRBUR-GLIRI	Ø120xH.65 cm	10x E27	32,0 kg	brass burnished finish, glass sphere iridescent
ERSAC120NAW-GLIRI	Ø120xH.65 cm	10x E27	32,0 kg	nickel aged warm finish, glass sphere iridescent
ERSAC120GSF-GLIRI	Ø120xH.65 cm	10x E27	32,0 kg	gold satin finish, glass sphere iridescent
ERSAC140BLM-GLIRI	Ø140xH.70 cm	13x E27	40,0 kg	black matt finish, glass sphere iridescent
ERSAC140N-GLIRI	Ø140xH.70 cm	13x E27	40,0 kg	nickel finish, glass sphere iridescent
ERSAC140BR-GLIRI	Ø140xH.70 cm	13x E27	40,0 kg	brass finish, glass sphere iridescent
ERSAC140BRBUR-GLIRI	Ø140xH.70 cm	13x E27	40,0 kg	brass burnished finish, glass sphere iridescent
ERSAC140NAW-GLIRI	Ø140xH.70 cm	13x E27	40,0 kg	nickel aged warm finish, glass sphere iridescent
ERSAC140GSF-GLIRI	Ø140xH.70 cm	13x E27	40,0 kg	gold satin finish, glass sphere iridescent

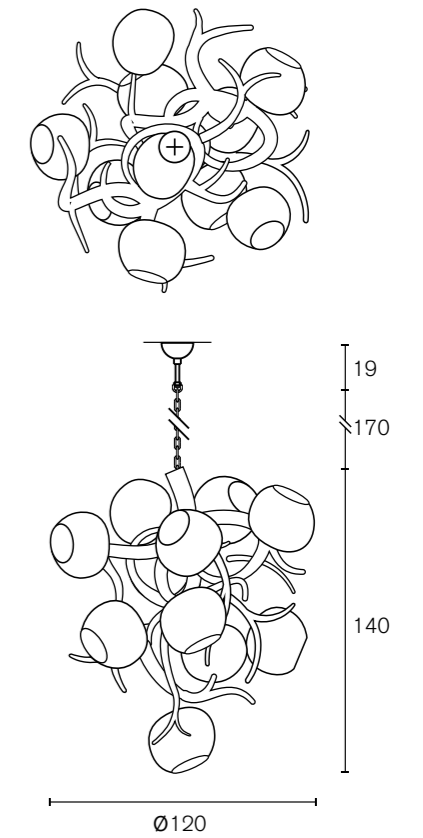
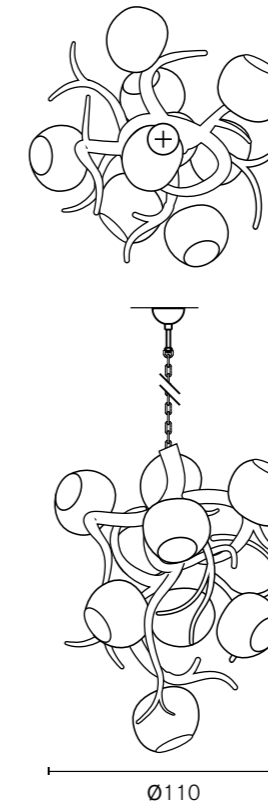


Standard the ERSA will be delivered with iridescent glass spheres. Other options are bronze translucent or clear glass spheres. All chandeliers are supplied with 1,7 meter chain, 2 meter electrical cable and a ceiling shade.

Specifications are subject to change without prior notice.



Art.nr.	Dimensions	Light bulb	Weight	Finish
ERSACC90BLM-GLIRI	Ø90xH.120 cm	9x E27	35,0 kg	black matt finish, glass sphere iridescent
ERSACC90N-GLIRI	Ø90xH.120 cm	9x E27	35,0 kg	nickel finish, glass sphere iridescent
ERSACC90BR-GLIRI	Ø90xH.120 cm	9x E27	35,0 kg	brass finish, glass sphere iridescent
ERSACC90BRBUR-GLIRI	Ø90xH.120 cm	9x E27	35,0 kg	brass burnished finish, glass sphere iridescent
ERSACC90NAW-GLIRI	Ø90xH.120 cm	9x E27	35,0 kg	nickel aged warm finish, glass sphere iridescent
ERSACC90GSF-GLIRI	Ø90xH.120 cm	9x E27	35,0 kg	gold satin finish, glass sphere iridescent
ERSACC110BLM-GLIRI	Ø110xH.130 cm	12x E27	45,0 kg	black matt finish, glass sphere iridescent
ERSACC110N-GLIRI	Ø110xH.130 cm	12x E27	45,0 kg	nickel finish, glass sphere iridescent
ERSACC110BR-GLIRI	Ø110xH.130 cm	12x E27	45,0 kg	brass finish, glass sphere iridescent
ERSACC110BRBUR-GLIRI	Ø110xH.130 cm	12x E27	45,0 kg	brass burnished finish, glass sphere iridescent
ERSACC110NAW-GLIRI	Ø110xH.130 cm	12x E27	45,0 kg	nickel aged warm finish, glass sphere iridescent
ERSACC110GSF-GLIRI	Ø110xH.130 cm	12x E27	45,0 kg	gold satin finish, glass sphere iridescent
ERSACC130BLM-GLIRI	Ø120xH.140 cm	16x E27	55,0 kg	black matt finish, glass sphere iridescent
ERSACC130N-GLIRI	Ø120xH.140 cm	16x E27	55,0 kg	nickel finish, glass sphere iridescent
ERSACC130BR-GLIRI	Ø120xH.140 cm	16x E27	55,0 kg	brass finish, glass sphere iridescent
ERSACC130BRBUR-GLIRI	Ø120xH.140 cm	16x E27	55,0 kg	brass burnished finish, glass sphere iridescent
ERSACC130NAW-GLIRI	Ø120xH.140 cm	16x E27	55,0 kg	nickel aged warm finish, glass sphere iridescent
ERSACC130GSF-GLIRI	Ø120xH.140 cm	16x E27	55,0 kg	gold satin finish, glass sphere iridescent

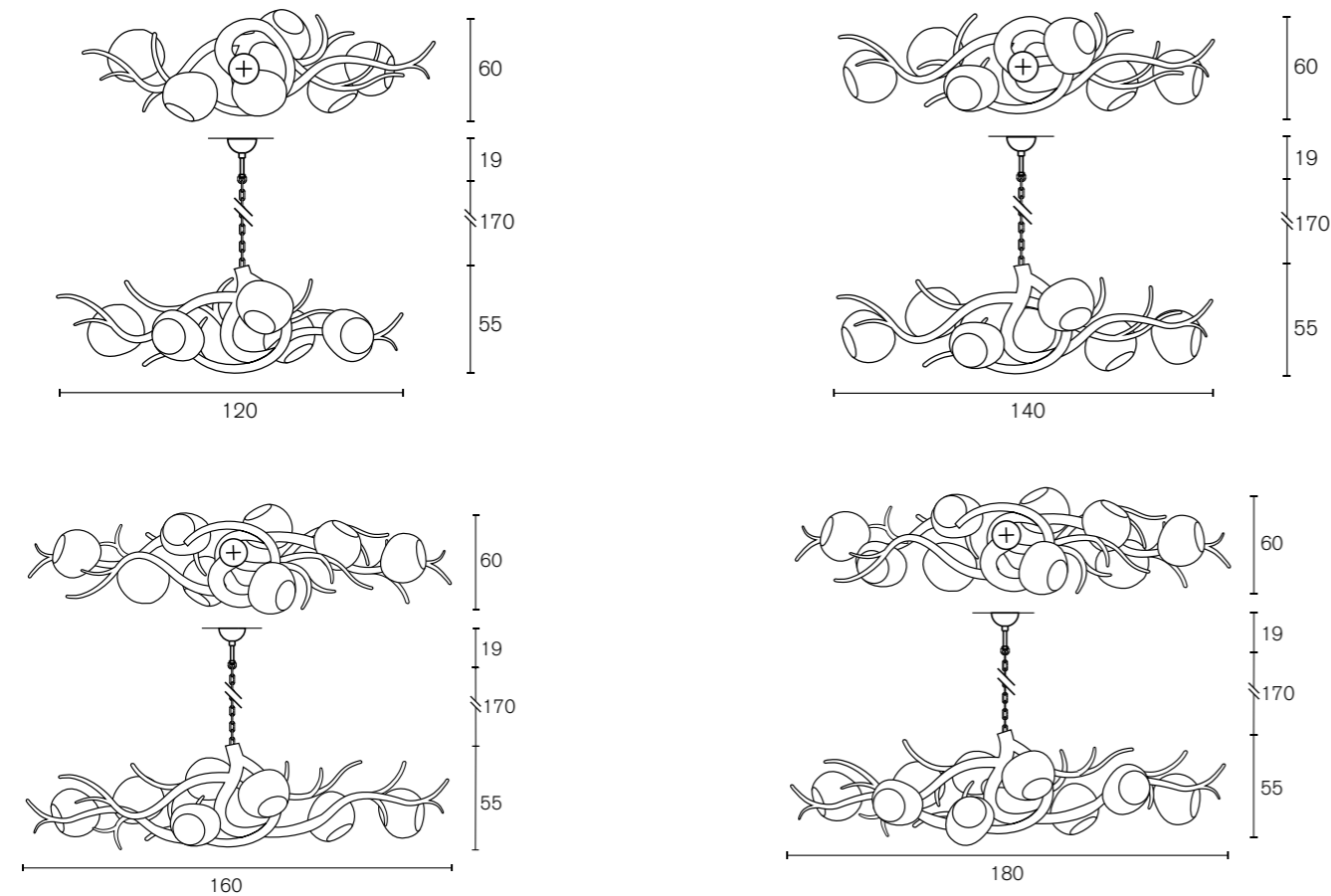


Standard the ERSA will be delivered with iridescent glass spheres. Other options are bronze translucent or clear glass spheres. All chandeliers are supplied with 1,7 meter chain, 2 meter electrical cable and a ceiling shade.

Specifications are subject to change without prior notice.



Art.nr.	Dimensions	Light bulb	Weight	Finish
ERSAOC120BLM-GLIRI	L.120xW.60xH.55 cm	5x E27	19,0 kg	black matt finish, glass sphere iridescent
ERSAOC120N-GLIRI	L.120xW.60xH.55 cm	5x E27	19,0 kg	nickel finish, glass sphere iridescent
ERSAOC120BR-GLIRI	L.120xW.60xH.55 cm	5x E27	19,0 kg	brass finish, glass sphere iridescent
ERSAOC120BRBUR-GLIRI	L.120xW.60xH.55 cm	5x E27	19,0 kg	brass burnished finish, glass sphere iridescent
ERSAOC120NAW-GLIRI	L.120xW.60xH.55 cm	5x E27	19,0 kg	nickel aged warm finish, glass sphere iridescent
ERSAOC120GSF-GLIRI	L.120xW.60xH.55 cm	5x E27	19,0 kg	gold satin finish, glass sphere iridescent
ERSAOC140BLM-GLIRI	L.140xW.60xH.55 cm	7x E27	22,0 kg	black matt finish, glass sphere iridescent
ERSAOC140N-GLIRI	L.140xW.60xH.55 cm	7x E27	22,0 kg	nickel finish, glass sphere iridescent
ERSAOC140BR-GLIRI	L.140xW.60xH.55 cm	7x E27	22,0 kg	brass finish, glass sphere iridescent
ERSAOC140BRBUR-GLIRI	L.140xW.60xH.55 cm	7x E27	22,0 kg	brass burnished finish, glass sphere iridescent
ERSAOC140NAW-GLIRI	L.140xW.60xH.55 cm	7x E27	22,0 kg	nickel aged warm finish, glass sphere iridescent
ERSAOC140GSF-GLIRI	L.140xW.60xH.55 cm	7x E27	22,0 kg	gold satin finish, glass sphere iridescent
ERSAOC160BLM-GLIRI	L.160xW.60xH.55 cm	8x E27	24,0 kg	black matt finish, glass sphere iridescent
ERSAOC160N-GLIRI	L.160xW.60xH.55 cm	8x E27	24,0 kg	nickel finish, glass sphere iridescent
ERSAOC160BR-GLIRI	L.160xW.60xH.55 cm	8x E27	24,0 kg	brass finish, glass sphere iridescent
ERSAOC160BRBUR-GLIRI	L.160xW.60xH.55 cm	8x E27	24,0 kg	brass burnished finish, glass sphere iridescent
ERSAOC160NAW-GLIRI	L.160xW.60xH.55 cm	8x E27	24,0 kg	nickel aged warm finish, glass sphere iridescent
ERSAOC160GSF-GLIRI	L.160xW.60xH.55 cm	8x E27	24,0 kg	gold satin finish, glass sphere iridescent
ERSAOC180BLM-GLIRI	L.180xW.60xH.55 cm	9x E27	27,0 kg	black matt finish, glass sphere iridescent
ERSAOC180N-GLIRI	L.180xW.60xH.55 cm	9x E27	27,0 kg	nickel finish, glass sphere iridescent
ERSAOC180BR-GLIRI	L.180xW.60xH.55 cm	9x E27	27,0 kg	brass finish, glass sphere iridescent
ERSAOC180BRBUR-GLIRI	L.180xW.60xH.55 cm	9x E27	27,0 kg	brass burnished finish, glass sphere iridescent
ERSAOC180NAW-GLIRI	L.180xW.60xH.55 cm	9x E27	27,0 kg	nickel aged warm finish, glass sphere iridescent
ERSAOC180GSF-GLIRI	L.180xW.60xH.55 cm	9x E27	27,0 kg	gold satin finish, glass sphere iridescent

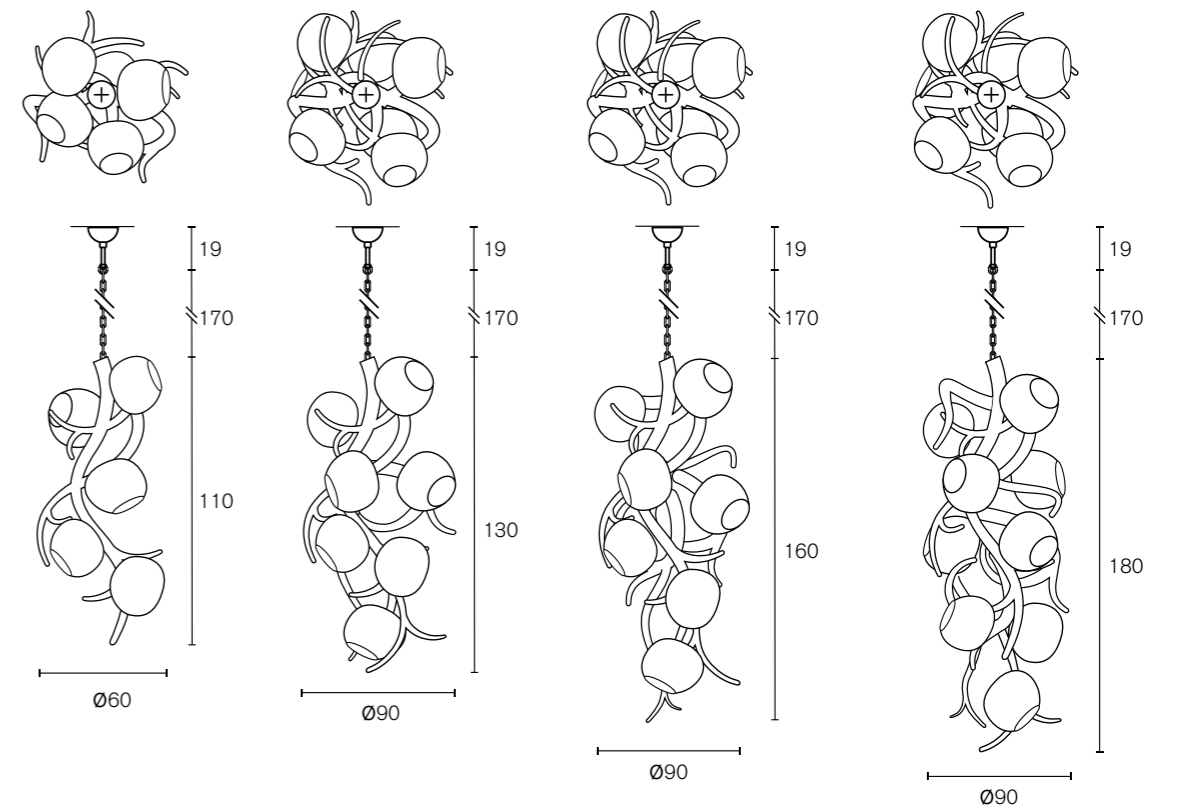


Standard the Ersa will be delivered with iridescent glass spheres. Other options are bronze translucent or clear glass spheres. All chandeliers are supplied with 1,7 meter chain, 2 meter electrical cable and a ceiling shade.

Specifications are subject to change without prior notice.



Art.nr.	Dimensions	Light bulb	Weight	Finish
ERSAV110BLM-GLIRI	Ø60xH.110 cm	5x E27	16,0 kg	black matt finish, glass sphere iridescent
ERSAV110N-GLIRI	Ø60xH.110 cm	5x E27	16,0 kg	nickel finish, glass sphere iridescent
ERSAV110BR-GLIRI	Ø60xH.110 cm	5x E27	16,0 kg	brass finish, glass sphere iridescent
ERSAV110BRBUR-GLIRI	Ø60xH.110 cm	5x E27	16,0 kg	brass burnished finish, glass sphere iridescent
ERSAV110NAW-GLIRI	Ø60xH.110 cm	5x E27	16,0 kg	nickel aged warm finish, glass sphere iridescent
ERSAV110GSF-GLIRI	Ø60xH.110 cm	5x E27	16,0 kg	gold satin finish, glass sphere iridescent
ERSAV130BLM-GLIRI	Ø90xH.130 cm	8x E27	27,0 kg	black matt finish, glass sphere iridescent
ERSAV130N-GLIRI	Ø90xH.130 cm	8x E27	27,0 kg	nickel finish, glass sphere iridescent
ERSAV130BR-GLIRI	Ø90xH.130 cm	8x E27	27,0 kg	brass finish, glass sphere iridescent
ERSAV130BRBUR-GLIRI	Ø90xH.130 cm	8x E27	27,0 kg	brass burnished finish, glass sphere iridescent
ERSAV130NAW-GLIRI	Ø90xH.130 cm	8x E27	27,0 kg	nickel aged warm finish, glass sphere iridescent
ERSAV130GSF-GLIRI	Ø90xH.130 cm	8x E27	27,0 kg	gold satin finish, glass sphere iridescent
ERSAV160BLM-GLIRI	Ø90xH.160 cm	9x E27	35,0 kg	black matt finish, glass sphere iridescent
ERSAV160N-GLIRI	Ø90xH.160 cm	9x E27	35,0 kg	nickel finish, glass sphere iridescent
ERSAV160BR-GLIRI	Ø90xH.160 cm	9x E27	35,0 kg	brass finish, glass sphere iridescent
ERSAV160BRBUR-GLIRI	Ø90xH.160 cm	9x E27	35,0 kg	brass burnished finish, glass sphere iridescent
ERSAV160NAW-GLIRI	Ø90xH.160 cm	9x E27	35,0 kg	nickel aged warm finish, glass sphere iridescent
ERSAV160GSF-GLIRI	Ø90xH.160 cm	9x E27	35,0 kg	gold satin finish, glass sphere iridescent
ERSAV180BLM-GLIRI	Ø90xH.180 cm	9x E27	42,0 kg	black matt finish, glass sphere iridescent
ERSAV180N-GLIRI	Ø90xH.180 cm	9x E27	42,0 kg	nickel finish, glass sphere iridescent
ERSAV180BR-GLIRI	Ø90xH.180 cm	9x E27	42,0 kg	brass finish, glass sphere iridescent
ERSAV180BRBUR-GLIRI	Ø90xH.180 cm	9x E27	42,0 kg	brass burnished finish, glass sphere iridescent
ERSAV180NAW-GLIRI	Ø90xH.180 cm	9x E27	42,0 kg	nickel aged warm finish, glass sphere iridescent
ERSAV180GSF-GLIRI	Ø90xH.180 cm	9x E27	42,0 kg	gold satin finish, glass sphere iridescent

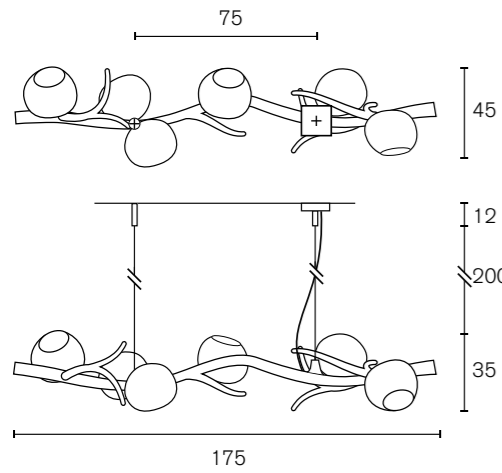
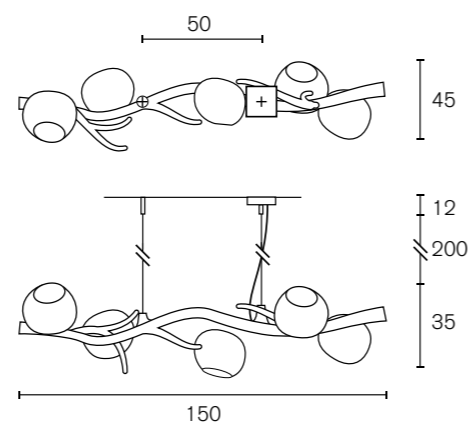
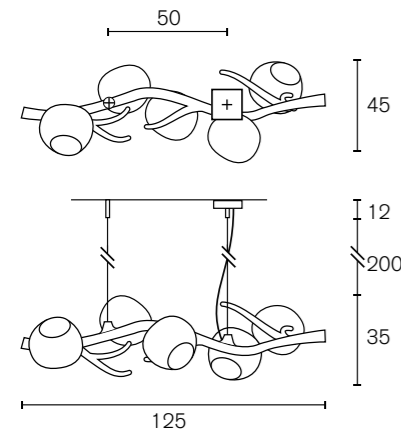


Standard the Ersa will be delivered with iridescent glass spheres. Other options are bronze translucent or clear glass spheres. All chandeliers are supplied with 1,7 meter chain, 2 meter electrical cable and a ceiling shade.

Specifications are subject to change without prior notice.



Art.nr.	Dimensions	Light bulb	Weight	Finish
ERSAHL125BLM-GLIRI	L.125xW.45xH.35 cm	5x E27	13,0 kg	black matt finish, glass sphere iridescent
ERSAHL125N-GLIRI	L.125xW.45xH.35 cm	5x E27	13,0 kg	nickel finish, glass sphere iridescent
ERSAHL125BR-GLIRI	L.125xW.45xH.35 cm	5x E27	13,0 kg	brass finish, glass sphere iridescent
ERSAHL125BRBUR-GLIRI	L.125xW.45xH.35 cm	5x E27	13,0 kg	brass burnished finish, glass sphere iridescent
ERSAHL125NAW-GLIRI	L.125xW.45xH.35 cm	5x E27	13,0 kg	nickel aged warm finish, glass sphere iridescent
ERSAHL125GSF-GLIRI	L.125xW.45xH.35 cm	5x E27	13,0 kg	gold satin finish, glass sphere iridescent
ERSAHL150BLM-GLIRI	L.150xW.45xH.35 cm	5x E27	15,0 kg	black matt finish, glass sphere iridescent
ERSAHL150N-GLIRI	L.150xW.45xH.35 cm	5x E27	15,0 kg	nickel finish, glass sphere iridescent
ERSAHL150BR-GLIRI	L.150xW.45xH.35 cm	5x E27	15,0 kg	brass finish, glass sphere iridescent
ERSAHL150BRBUR-GLIRI	L.150xW.45xH.35 cm	5x E27	15,0 kg	brass burnished finish, glass sphere iridescent
ERSAHL150NAW-GLIRI	L.150xW.45xH.35 cm	5x E27	15,0 kg	nickel aged warm finish, glass sphere iridescent
ERSAHL150GSF-GLIRI	L.150xW.45xH.35 cm	5x E27	15,0 kg	gold satin finish, glass sphere iridescent
ERSAHL175BLM-GLIRI	L.175xW.45xH.35 cm	6x E27	18,0 kg	black matt finish, glass sphere iridescent
ERSAHL175N-GLIRI	L.175xW.45xH.35 cm	6x E27	18,0 kg	nickel finish, glass sphere iridescent
ERSAHL175BR-GLIRI	L.175xW.45xH.35 cm	6x E27	18,0 kg	brass finish, glass sphere iridescent
ERSAHL175BRBUR-GLIRI	L.175xW.45xH.35 cm	6x E27	18,0 kg	brass burnished finish, glass sphere iridescent
ERSAHL175NAW-GLIRI	L.175xW.45xH.35 cm	6x E27	18,0 kg	nickel aged warm finish, glass sphere iridescent
ERSAHL175GSF-GLIRI	L.175xW.45xH.35 cm	6x E27	18,0 kg	gold satin finish, glass sphere iridescent

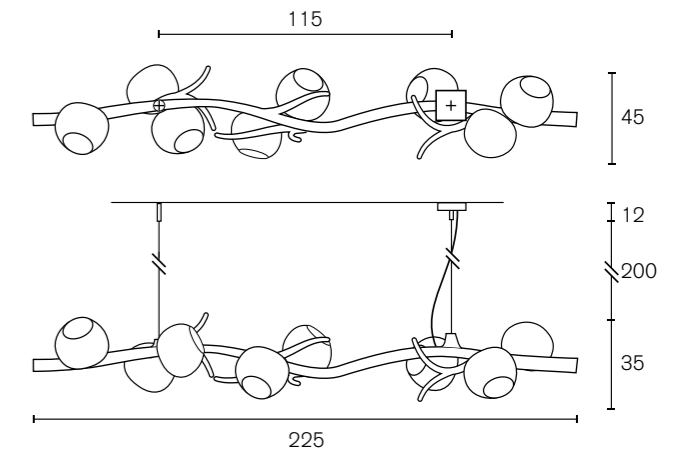
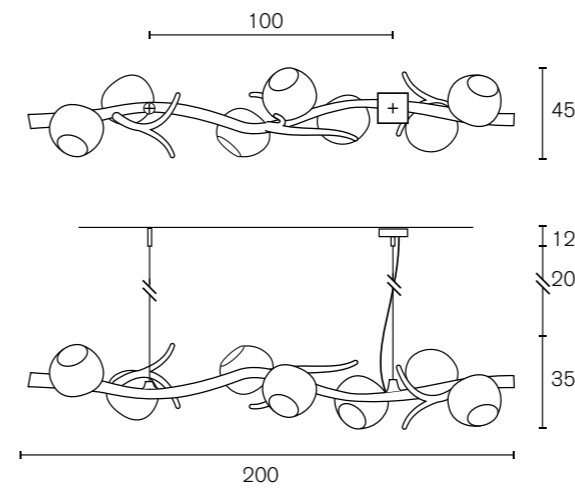


Standard the ERSA will be delivered with iridescent glass spheres. Other options are bronze translucent or clear glass spheres.
All hanging lamps long are supplied with 2 meter steel cable, 2 meter electrical cable and a ceiling shade.

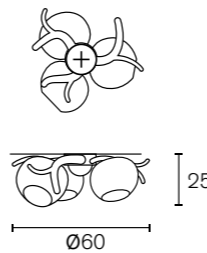
Specifications are subject to change without prior notice.



Art.nr.	Dimensions	Light bulb	Weight	Finish
ERSAHL200BLM-GLIRI	L.200xW.45xH.35 cm	7x E27	22,0 kg	black matt finish, glass sphere iridescent
ERSAHL200N-GLIRI	L.200xW.45xH.35 cm	7x E27	22,0 kg	nickel finish, glass sphere iridescent
ERSAHL200BR-GLIRI	L.200xW.45xH.35 cm	7x E27	22,0 kg	brass finish, glass sphere iridescent
ERSAHL200BRBUR-GLIRI	L.200xW.45xH.35 cm	7x E27	22,0 kg	brass burnished finish, glass sphere iridescent
ERSAHL200NAW-GLIRI	L.200xW.45xH.35 cm	7x E27	22,0 kg	nickel aged warm finish, glass sphere iridescent
ERSAHL200GSF-GLIRI	L.200xW.45xH.35 cm	7x E27	22,0 kg	gold satin finish, glass sphere iridescent
ERSAHL225BLM-GLIRI	L.225xW.45xH.35 cm	8x E27	25,0 kg	black matt finish, glass sphere iridescent
ERSAHL225N-GLIRI	L.225xW.45xH.35 cm	8x E27	25,0 kg	nickel finish, glass sphere iridescent
ERSAHL225BR-GLIRI	L.225xW.45xH.35 cm	8x E27	25,0 kg	brass finish, glass sphere iridescent
ERSAHL225BRBUR-GLIRI	L.225xW.45xH.35 cm	8x E27	25,0 kg	brass burnished finish, glass sphere iridescent
ERSAHL225NAW-GLIRI	L.225xW.45xH.35 cm	8x E27	25,0 kg	nickel aged warm finish, glass sphere iridescent
ERSAHL225GSF-GLIRI	L.225xW.45xH.35 cm	8x E27	25,0 kg	gold satin finish, glass sphere iridescent



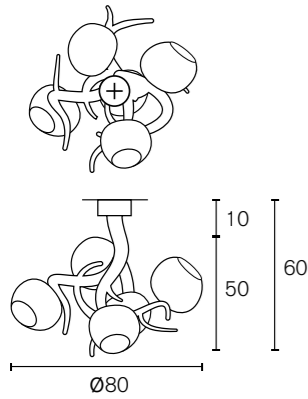
Art.nr.	Dimensions	Light bulb	Weight	Finish
ERSAP60BLM-GLIRI	Ø60xH.25 cm	3x E27	10,0 kg	black matt finish, glass sphere iridescent
ERSAP60N-GLIRI	Ø60xH.25 cm	3x E27	10,0 kg	nickel finish, glass sphere iridescent
ERSAP60BR-GLIRI	Ø60xH.25 cm	3x E27	10,0 kg	brass finish, glass sphere iridescent
ERSAP60BRBUR-GLIRI	Ø60xH.25 cm	3x E27	10,0 kg	brass burnished finish, glass sphere iridescent
ERSAP60NAW-GLIRI	Ø60xH.25 cm	3x E27	10,0 kg	nickel aged warm finish, glass sphere iridescent
ERSAP60GSF-GLIRI	Ø60xH.25 cm	3x E27	10,0 kg	gold satin finish, glass sphere iridescent



Standard the ERSA will be delivered with iridescent glass spheres. Other options are bronze translucent or clear glass spheres.
All hanging lamps long are supplied with 2 meter steel cable, 2 meter electrical cable and a ceiling shade.

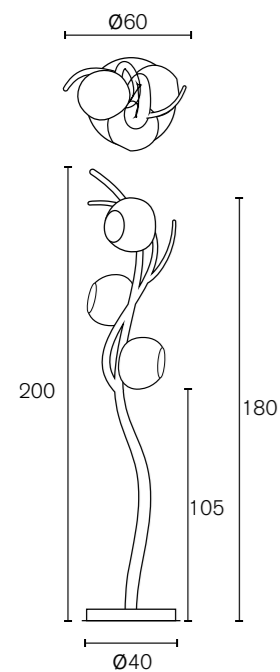
Specifications are subject to change without prior notice.

Art.nr.	Dimensions	Light bulb	Weight	Finish
ERSACP80BLM-GLIRI	Ø80xH.60 cm	5x E27	13,0 kg	black matt finish, glass sphere iridescent
ERSACP80N-GLIRI	Ø80xH.60 cm	5x E27	13,0 kg	nickel finish, glass sphere iridescent
ERSACP80BR-GLIRI	Ø80xH.60 cm	5x E27	13,0 kg	brass finish, glass sphere iridescent
ERSACP80BRBUR-GLIRI	Ø80xH.60 cm	5x E27	13,0 kg	brass burnished finish, glass sphere iridescent
ERSACP80NAW-GLIRI	Ø80xH.60 cm	5x E27	13,0 kg	nickel aged warm finish, glass sphere iridescent
ERSACP80GSF-GLIRI	Ø80xH.60 cm	5x E27	13,0 kg	gold satin finish, glass sphere iridescent



Floor lamp

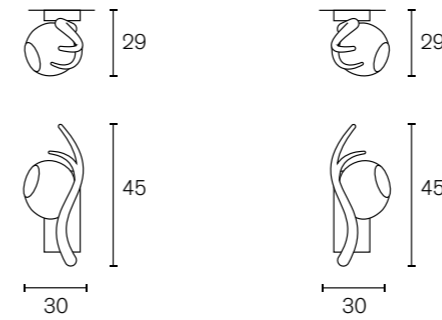
Art.nr.	Dimensions	Light bulb	Weight	Finish
ERSAF200BLM-GLIRI	Ø40xH.205 cm	3x E27	24,0 kg	black matt finish, glass sphere iridescent
ERSAF200N-GLIRI	Ø40xH.205 cm	3x E27	24,0 kg	nickel finish, glass sphere iridescent
ERSAF200BR-GLIRI	Ø40xH.205 cm	3x E27	24,0 kg	brass finish, glass sphere iridescent
ERSAF200BRBUR-GLIRI	Ø40xH.205 cm	3x E27	24,0 kg	brass burnished finish, glass sphere iridescent
ERSAF200NAW-GLIRI	Ø40xH.205 cm	3x E27	24,0 kg	nickel aged warm finish, glass sphere iridescent
ERSAF200GSF-GLIRI	Ø40xH.205 cm	3x E27	24,0 kg	gold satin finish, glass sphere iridescent



Standard the ERSA will be delivered with iridescent glass spheres. Other options are bronze translucent or clear glass spheres.
All floor lamps are supplied with a floor dimmer. Floor lamps will be applied with a protective nano wax if ordered in brass burnished or copper burnished finish.

Specifications are subject to change without prior notice.

Art.nr.	Dimensions	Light bulb	Weight	Finish
ERSAW30BLM-GLIRI-L	W.30xH.45xD.29 cm	1x E27	4,0 kg	black matt finish, glass sphere iridescent, left version
ERSAW30BLM-GLIRI-R	W.30xH.45xD.29 cm	1x E27	4,0 kg	black matt finish, glass sphere iridescent, right version
ERSAW30N-GLIRI-L	W.30xH.45xD.29 cm	1x E27	4,0 kg	nickel finish, glass sphere iridescent, right version
ERSAW30N-GLIRI-R	W.30xH.45xD.29 cm	1x E27	4,0 kg	nickel finish, glass sphere iridescent, left version
ERSAW30BR-GLIRI-L	W.30xH.45xD.29 cm	1x E27	4,0 kg	brass finish, glass sphere iridescent, left version
ERSAW30BR-GLIRI-R	W.30xH.45xD.29 cm	1x E27	4,0 kg	brass finish, glass sphere iridescent, right version
ERSAW30BRBUR-GLIRI-L	W.30xH.45xD.29 cm	1x E27	4,0 kg	brass burnished finish, glass sphere iridescent, left version
ERSAW30BRBUR-GLIRI-R	W.30xH.45xD.29 cm	1x E27	4,0 kg	brass burnished finish, glass sphere iridescent, right version
ERSAW30NAW-GLIRI-L	W.30xH.45xD.29 cm	1x E27	4,0 kg	nickel aged warm finish, glass sphere iridescent, left version
ERSAW30NAW-GLIRI-R	W.30xH.45xD.29 cm	1x E27	4,0 kg	nickel aged warm finish, glass sphere iridescent, right version
ERSAW30GSF-GLIRI-L	W.30xH.45xD.29 cm	1x E27	4,0 kg	gold satin finish, glass sphere iridescent, left version
ERSAW30GSF-GLIRI-R	W.30xH.45xD.29 cm	1x E27	4,0 kg	gold satin finish, glass sphere iridescent, right version



Left version

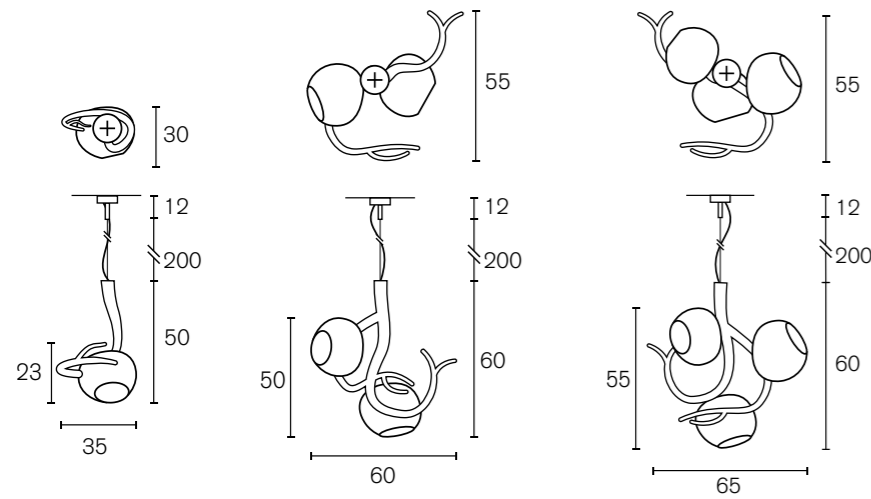
Right version

Standard the ERSA will be delivered with iridescent glass spheres. Other options are bronze translucent or clear glass spheres.
Wall lamps will be applied with a protective nano wax if ordered in brass burnished finish.

Specifications are subject to change without prior notice.



Art.nr.	Dimensions	Light bulb	Weight	Finish
ERSA1BLM-GLIRI	L.35xH.50x D.30 cm	1x E27	6,0 kg	black matt finish, glass sphere iridescent
ERSA1N-GLIRI	L.35xH.50x D.30 cm	1x E27	6,0 kg	nickel finish, glass sphere iridescent
ERSA1BR-GLIRI	L.35xH.50x D.30 cm	1x E27	6,0 kg	brass finish, glass sphere iridescent
ERSA1BRBUR-GLIRI	L.35xH.50x D.30 cm	1x E27	6,0 kg	brass burnished finish, glass sphere iridescent
ERSA1NAW-GLIRI	L.35xH.50x D.30 cm	1x E27	6,0 kg	nickel aged warm finish, glass sphere iridescent
ERSA1GSF-GLIRI	L.35xH.50x D.30 cm	1x E27	6,0 kg	gold satin finish, glass sphere iridescent
ERSA2BLM-GLIRI	L.60xH.60x D.55 cm	2x E27	8,0 kg	black matt finish, glass sphere iridescent
ERSA2N-GLIRI	L.60xH.60x D.55 cm	2x E27	8,0 kg	nickel finish, glass sphere iridescent
ERSA2BR-GLIRI	L.60xH.60x D.55 cm	2x E27	8,0 kg	brass finish, glass sphere iridescent
ERSA2BRBUR-GLIRI	L.60xH.60x D.55 cm	2x E27	8,0 kg	brass burnished finish, glass sphere iridescent
ERSA2NAW-GLIRI	L.60xH.60x D.55 cm	2x E27	8,0 kg	nickel aged warm finish, glass sphere iridescent
ERSA2GSF-GLIRI	L.60xH.60x D.55 cm	2x E27	8,0 kg	gold satin finish, glass sphere iridescent
ERSA3BLM-GLIRI	L.65xH.60x D.55 cm	3x E27	10,0 kg	black matt finish, glass sphere iridescent
ERSA3N-GLIRI	L.65xH.60x D.55 cm	3x E27	10,0 kg	nickel finish, glass sphere iridescent
ERSA3BR-GLIRI	L.65xH.60x D.55 cm	3x E27	10,0 kg	brass finish, glass sphere iridescent
ERSA3BRBUR-GLIRI	L.65xH.60x D.55 cm	3x E27	10,0 kg	brass burnished finish, glass sphere iridescent
ERSA3NAW-GLIRI	L.65xH.60x D.55 cm	3x E27	10,0 kg	nickel aged warm finish, glass sphere iridescent
ERSA3GSF-GLIRI	L.65xH.60x D.55 cm	3x E27	10,0 kg	gold satin finish, glass sphere iridescent



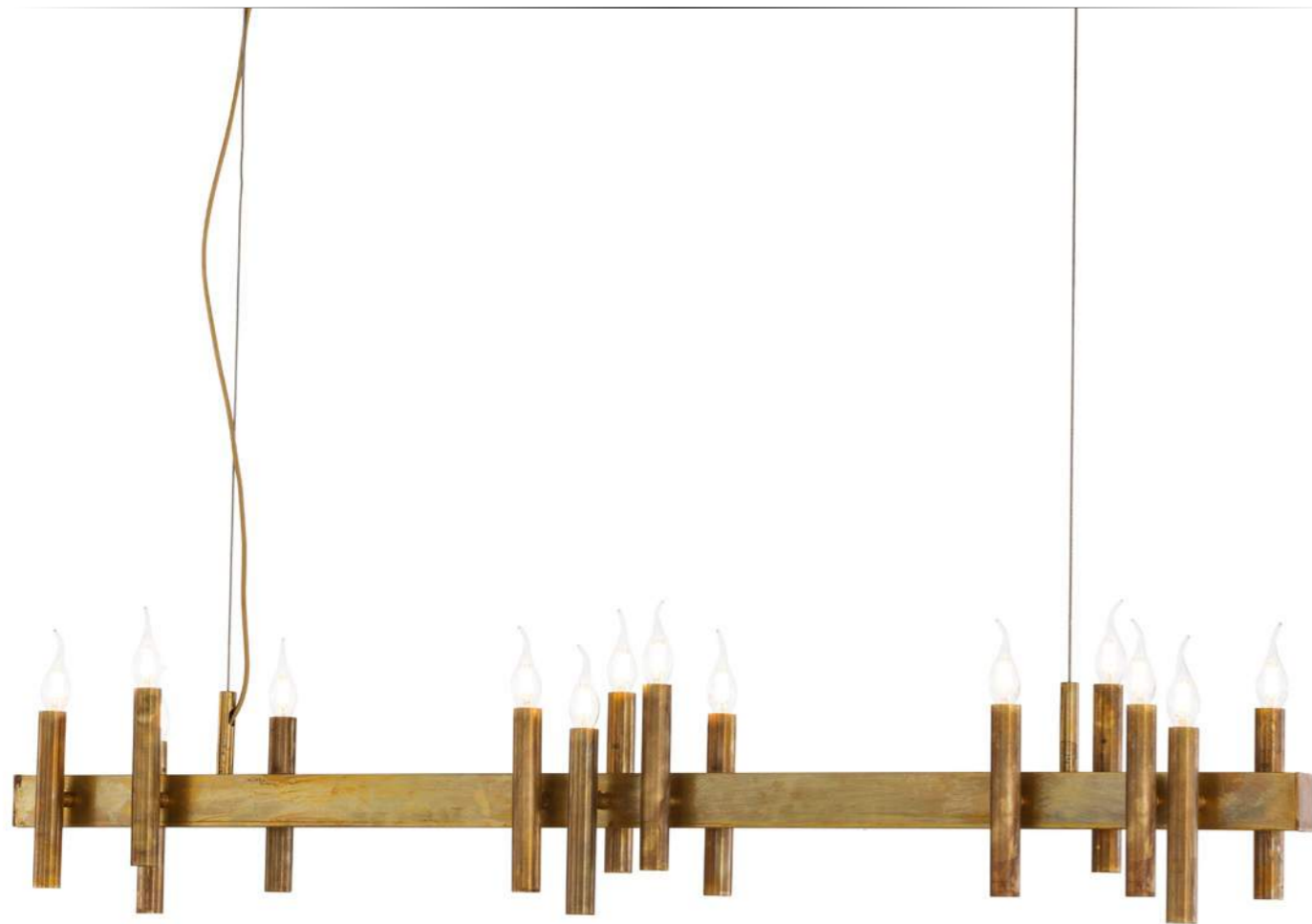
Standard the ERSA will be delivered with iridescent glass spheres. Other options are bronze translucent or clear glass spheres. All elements are supplied with 2 meter steel cable, 2 meter electrical cable and a ceiling shade.

Specifications are subject to change without prior notice.

ERSAHL150NAW-GLIRI
Ersa Hanging Lamp Long with iridescent glass spheres (L.150xW.45xH.35 cm, nickel aged warm finish, 5 x E27, 15,0 kg)

Specifications are subject to change without prior notice.

Collection Shiro



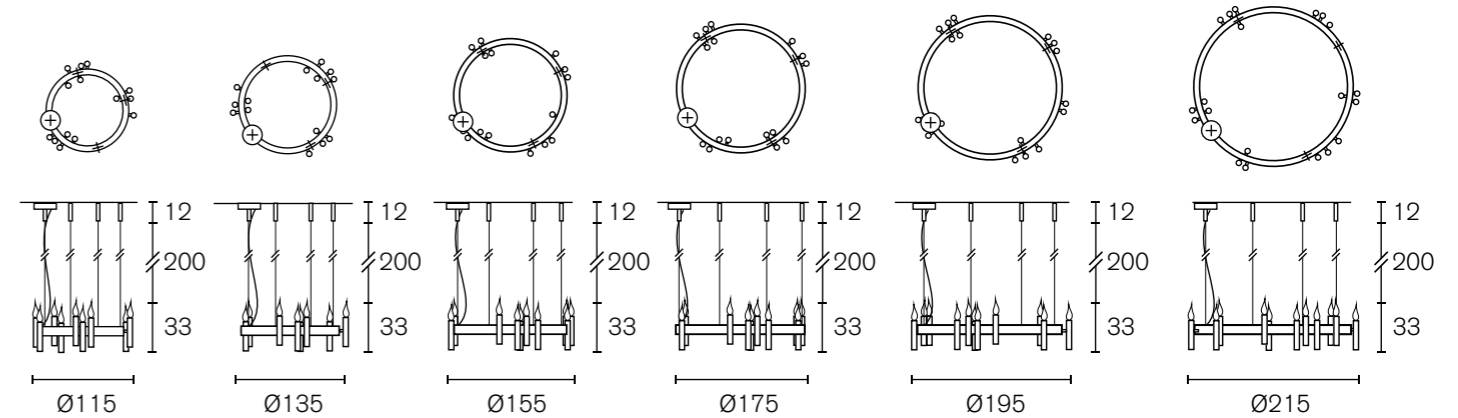
Collection Shiro

Suspension Ring



Collection Images page 100-101

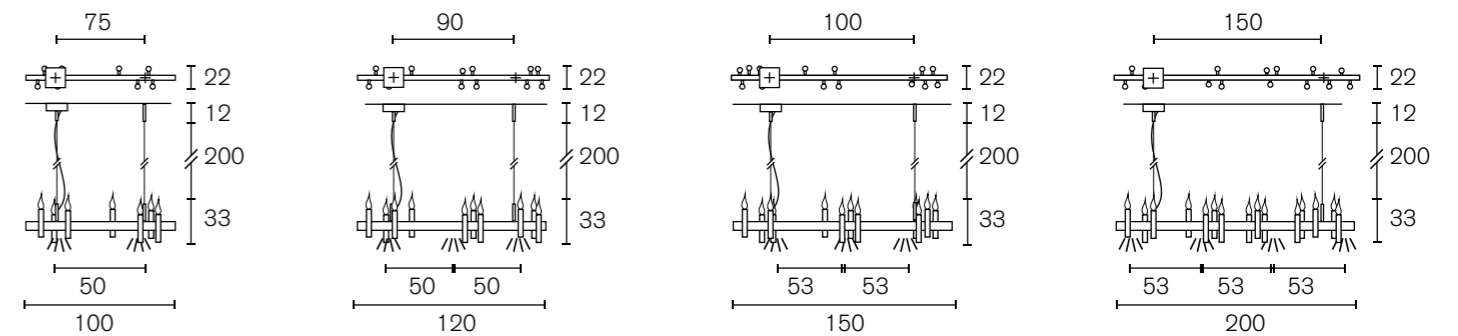
Art.nr.	Dimensions	Light bulb	Weight	Finish
SHSR100BLM	Ø115xH.33 cm	18x E14	23,0 kg	black matt finish
SHSR100BRBUR	Ø115xH.33 cm	18x E14	23,0 kg	brass burnished finish
SHSR120BLM	Ø135xH.33 cm	20x E14	30,0 kg	black matt finish
SHSR120BRBUR	Ø135xH.33 cm	20x E14	30,0 kg	brass burnished finish
SHSR140BLM	Ø155xH.33 cm	22x E14	35,0 kg	black matt finish
SHSR140BRBUR	Ø155xH.33 cm	22x E14	35,0 kg	brass burnished finish
SHSR160BLM	Ø175xH.33 cm	24x E14	40,0 kg	black matt finish
SHSR160BRBUR	Ø175xH.33 cm	24x E14	40,0 kg	brass burnished finish
SHSR180BLM	Ø195xH.33 cm	26x E14	50,0 kg	black matt finish
SHSR180BRBUR	Ø195xH.33 cm	26x E14	50,0 kg	brass burnished finish
SHSR200BLM	Ø215xH.33 cm	28x E14	70,0 kg	black matt finish
SHSR200BRBUR	Ø215xH.33 cm	28x E14	70,0 kg	brass burnished finish



Suspension Horizontal

Collection Images page 102-106, 318

Art.nr.	Dimensions	Light bulb	Weight	Finish
SHSH100BLM	L.100xW.22xH.33 cm	8x E14	11,0 kg	2x GU10 spot downlight, black matt finish
SHSH100BRBUR	L.100xW.22xH.33 cm	8x E14	11,0 kg	2x GU10 spot downlight, brass burnished finish
SHSH120BLM	L.120xW.22xH.33 cm	12x E14	13,0 kg	3x GU10 spot downlight, black matt finish
SHSH120BRBUR	L.120xW.22xH.33 cm	12x E14	13,0 kg	3x GU10 spot downlight, brass burnished finish
SHSH150BLM	L.150xW.22xH.33 cm	14x E14	15,0 kg	3x GU10 spot downlight, black matt finish
SHSH150BRBUR	L.150xW.22xH.33 cm	14x E14	15,0 kg	3x GU10 spot downlight, brass burnished finish
SHSH200BLM	L.200xW.22xH.33 cm	16x E14	20,0 kg	4x GU10 spot downlight, black matt finish
SHSH200BRBUR	L.200xW.22xH.33 cm	16x E14	20,0 kg	4x GU10 spot downlight, brass burnished finish



SHSH150BRBUR

Shiro Suspension Horizontal (L.150xW.22xH.33 cm, brass burnished finish, 3xGU10 spot downlight, 14 x E14, 15 kg)

Specifications are subject to change without prior notice.

Catalogue Edition 31

All suspension lamps are supplied with 2 meter steel cable, 2 meter electrical cable and a ceiling shade.

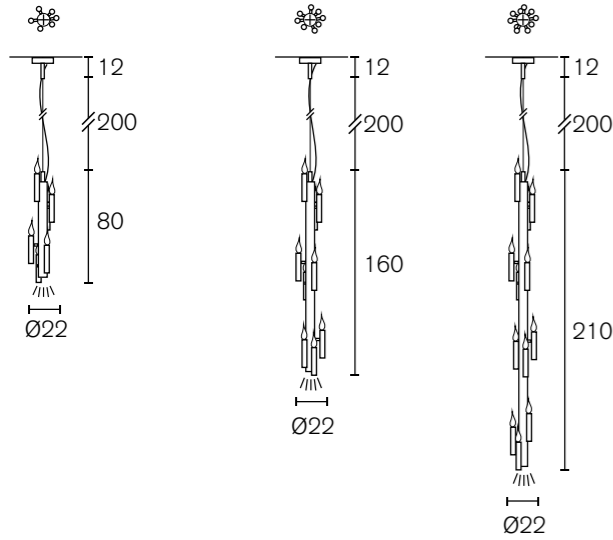
The beam angle for our GU10 spot lights is 60°

Specifications are subject to change without prior notice.

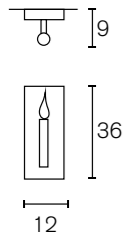
Catalogue Edition 31



Art.nr.	Dimensions	Light bulb	Weight	Finish
SHSV70BLM	Ø22xH.80 cm	6x E14	8,0 kg	1x GU10 spot downlight, black matt finish
SHSV70BRBUR	Ø22xH.80 cm	6x E14	8,0 kg	1x GU10 spot downlight, brass burnished finish
SHSV150BLM	Ø22xH.160 cm	9x E14	12,0 kg	1x GU10 spot downlight, black matt finish
SHSV150BRBUR	Ø22xH.160 cm	9x E14	12,0 kg	1x GU10 spot downlight, brass burnished finish
SHSV200BLM	Ø22xH.210 cm	12x E14	16,0 kg	1x GU10 spot downlight, black matt finish
SHSV200BRBUR	Ø22xH.210 cm	12x E14	16,0 kg	1x GU10 spot downlight, brass burnished finish



Art.nr.	Dimensions	Light bulb	Weight	Finish
SHW34BLM	W.12xH.36xD.9 cm	1x E14	2,0 kg	black matt finish
SHW34BRBUR	W.12xH.36xD.9 cm	1x E14	2,0 kg	brass burnished finish



Customised SHSR160BRBUR

Customised Shiro Suspension Ring with customised chain suspension (Ø175xH.33 cm, brass burnished finish, 20 x E14, 50,0 kg)

All suspension lamps are supplied with 2 meter steel cable, 2 meter electrical cable and a ceiling shade.
Wall lamps will be applied with a protective nano wax if ordered in brass burnished or copper burnished finish.

Specifications are subject to change without prior notice.

Specifications are subject to change without prior notice.

Collection Eve



EVECC70BRBUR

Eve Chandelier Conical (Ø70xH.80 cm, brass burnished finish, 12 x E14, 26 kg)

Specifications are subject to change without prior notice.

Catalogue Edition 31

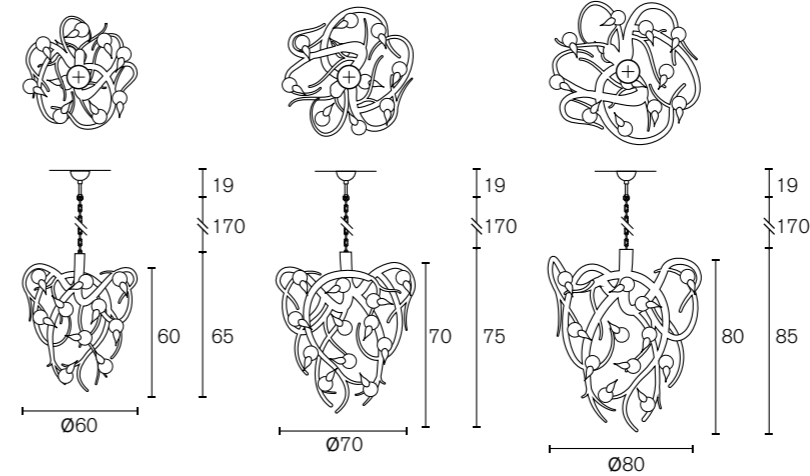
Collection Eve

Chandelier Conical



Collection Images page 115-117, 322

Art.nr.	Dimensions	Light bulb	Weight	Finish
EVECC60BLM	Ø60xH.65 cm	10x E14	21,0 kg	black matt finish
EVECC60B	Ø60xH.65 cm	10x E14	21,0 kg	bronze finish
EVECC60N	Ø60xH.65 cm	10x E14	21,0 kg	nickel finish
EVECC60BRBUR	Ø60xH.65 cm	10x E14	21,0 kg	brass burnished finish
EVECC60NAW	Ø60xH.65 cm	10x E14	21,0 kg	nickel aged warm finish
EVECC60GSF	Ø60xH.65 cm	10x E14	21,0 kg	gold satin finish
EVECC70BLM	Ø70xH.75 cm	12x E14	26,0 kg	black matt finish
EVECC70B	Ø70xH.75 cm	12x E14	26,0 kg	bronze finish
EVECC70N	Ø70xH.75 cm	12x E14	26,0 kg	nickel finish
EVECC70BRBUR	Ø70xH.75 cm	12x E14	26,0 kg	brass burnished finish
EVECC70NAW	Ø70xH.75 cm	12x E14	26,0 kg	nickel aged warm finish
EVECC70GSF	Ø70xH.75 cm	12x E14	26,0 kg	gold satin finish
EVECC80BLM	Ø80xH.85 cm	12x E14	31,0 kg	black matt finish
EVECC80B	Ø80xH.85 cm	12x E14	31,0 kg	bronze finish
EVECC80N	Ø80xH.85 cm	12x E14	31,0 kg	nickel finish
EVECC80BRBUR	Ø80xH.85 cm	12x E14	31,0 kg	brass burnished finish
EVECC80NAW	Ø80xH.85 cm	12x E14	31,0 kg	nickel aged warm finish
EVECC80GSF	Ø80xH.85 cm	12x E14	31,0 kg	gold satin finish

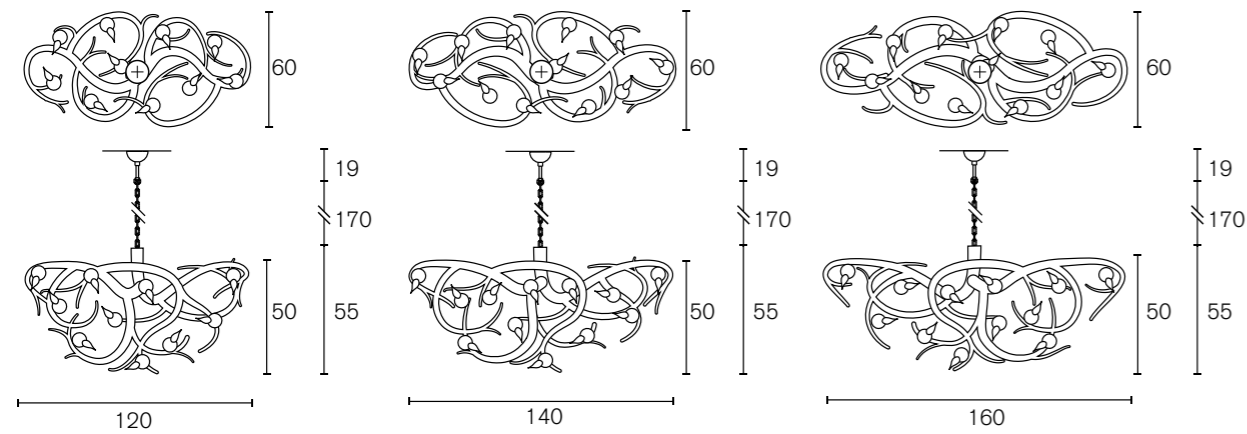


The Eve collection can also be created with glass icicles upon request.
All chandeliers are supplied with 1,7 meter chain, 2 meter electrical cable and a ceiling shade.

Specifications are subject to change without prior notice.

Catalogue Edition 31

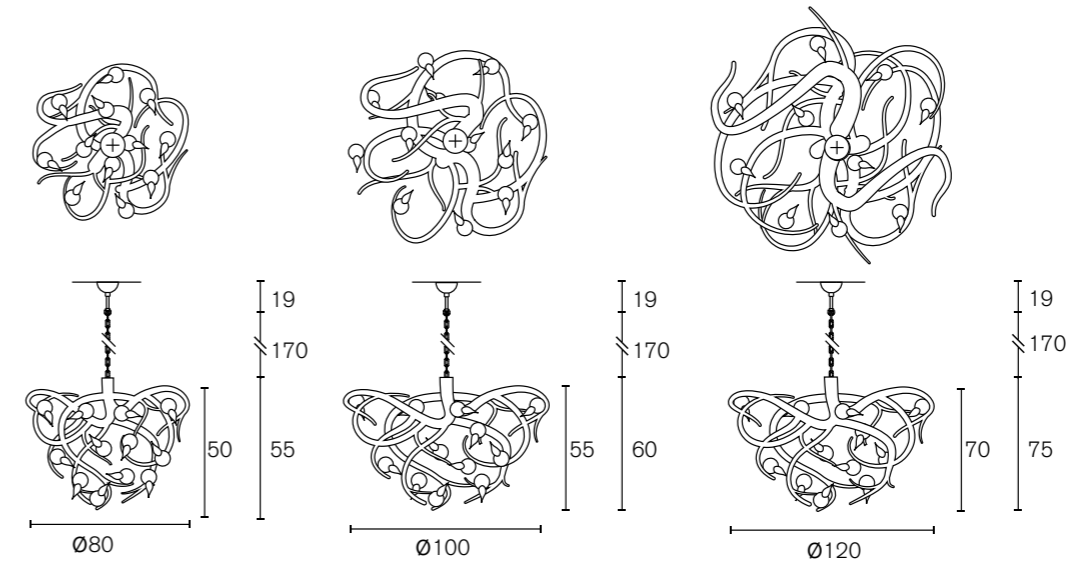
Art.nr.	Dimensions	Light bulb	Weight	Finish
EVEOC120BLM	L.120xW.60xH.55 cm	10x E14	27,0 kg	black matt finish
EVEOC120B	L.120xW.60xH.55 cm	10x E14	27,0 kg	bronze finish
EVEOC120N	L.120xW.60xH.55 cm	10x E14	27,0 kg	nickel finish
EVEOC120BRBUR	L.120xW.60xH.55 cm	10x E14	27,0 kg	brass burnished finish
EVEOC120NAW	L.120xW.60xH.55 cm	10x E14	27,0 kg	nickel aged warm finish
EVEOC120GSF	L.120xW.60xH.55 cm	10x E14	27,0 kg	gold satin finish
EVEOC140BLM	L.140xW.60xH.55 cm	12x E14	28,0 kg	black matt finish
EVEOC140B	L.140xW.60xH.55 cm	12x E14	28,0 kg	bronze finish
EVEOC140N	L.140xW.60xH.55 cm	12x E14	28,0 kg	nickel finish
EVEOC140BRBUR	L.140xW.60xH.55 cm	12x E14	28,0 kg	brass burnished finish
EVEOC140NAW	L.140xW.60xH.55 cm	12x E14	28,0 kg	nickel aged warm finish
EVEOC140GSF	L.140xW.60xH.55 cm	12x E14	28,0 kg	gold satin finish
EVEOC160BLM	L.160xW.60xH.55 cm	12x E14	30,0 kg	black matt finish
EVEOC160B	L.160xW.60xH.55 cm	12x E14	30,0 kg	bronze finish
EVEOC160N	L.160xW.60xH.55 cm	12x E14	30,0 kg	nickel finish
EVEOC160BRBUR	L.160xW.60xH.55 cm	12x E14	30,0 kg	brass burnished finish
EVEOC160NAW	L.160xW.60xH.55 cm	12x E14	30,0 kg	nickel aged warm finish
EVEOC160GSF	L.160xW.60xH.55 cm	12x E14	30,0 kg	gold satin finish



The Eve collection can also be created with glass icicles upon request.
All chandeliers are supplied with 1,7 meter chain, 2 meter electrical cable and a ceiling shade.

Specifications are subject to change without prior notice.

Art.nr.	Dimensions	Light bulb	Weight	Finish
EVEC80BLM	Ø80xH.55 cm	12x E14	15,0 kg	black matt finish
EVEC80B	Ø80xH.55 cm	12x E14	15,0 kg	bronze finish
EVEC80N	Ø80xH.55 cm	12x E14	15,0 kg	nickel finish
EVEC80BRBUR	Ø80xH.55 cm	12x E14	15,0 kg	brass burnished finish
EVEC80NAW	Ø80xH.55 cm	12x E14	15,0 kg	nickel aged warm finish
EVEC80GSF	Ø80xH.55 cm	12x E14	15,0 kg	gold satin finish
EVEC100BLM	Ø100xH.60 cm	14x E14	31,0 kg	black matt finish
EVEC100B	Ø100xH.60 cm	14x E14	31,0 kg	bronze finish
EVEC100N	Ø100xH.60 cm	14x E14	31,0 kg	nickel finish
EVEC100BRBUR	Ø100xH.60 cm	14x E14	31,0 kg	brass burnished finish
EVEC100NAW	Ø100xH.60 cm	14x E14	31,0 kg	nickel aged warm finish
EVEC100GSF	Ø100xH.60 cm	14x E14	31,0 kg	gold satin finish
EVEC120BLM	Ø120xH.75 cm	16x E14	45,0 kg	black matt finish
EVEC120B	Ø120xH.75 cm	16x E14	45,0 kg	bronze finish
EVEC120N	Ø120xH.75 cm	16x E14	45,0 kg	nickel finish
EVEC120BRBUR	Ø120xH.75 cm	16x E14	45,0 kg	brass burnished finish
EVEC120NAW	Ø120xH.75 cm	16x E14	45,0 kg	nickel aged warm finish
EVEC120GSF	Ø120xH.75 cm	16x E14	45,0 kg	gold satin finish



The Eve collection can also be created with glass icicles upon request.
All chandeliers are supplied with 1,7 meter chain, 2 meter electrical cable and a ceiling shade.

Specifications are subject to change without prior notice.

Collection Fractal



FRACC100BRG

Fractal Chandelier Round (Ø100xH.45 cm, 12 x E14, brass grinded finish, 27,0 kg)

Specifications are subject to change without prior notice.

Catalogue Edition 31

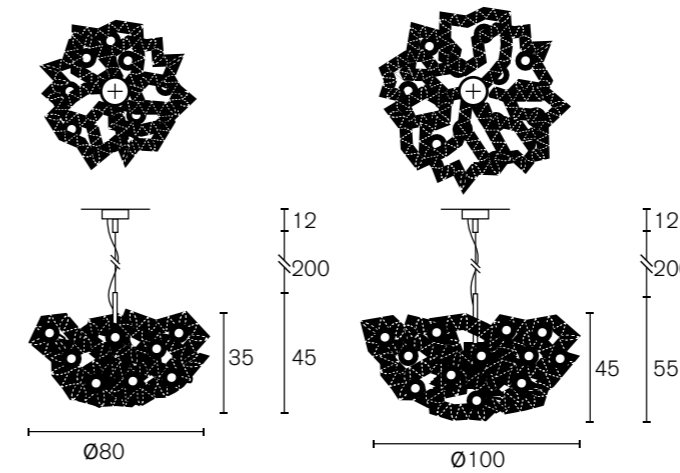
Collection Fractal

Chandelier Round



Collection Images page 118-119, 122-123, 326

Art.nr.	Dimensions	Light bulb	Weight	Finish
FRACC80BLM	Ø80xH.35 cm	10x E14	19,0 kg	black matt finish
FRACC80ST	Ø80xH.35 cm	10x E14	19,0 kg	stainless steel
FRACC80BRG	Ø80xH.35 cm	10x E14	19,0 kg	brass grinded finish
FRACC80GSF	Ø80xH.35 cm	10x E14	19,0 kg	gold satin finish
FRACC100BLM	Ø100xH.45 cm	12x E14	27,0 kg	black matt finish
FRACC100ST	Ø100xH.45 cm	12x E14	27,0 kg	stainless steel
FRACC100BRG	Ø100xH.45 cm	12x E14	27,0 kg	brass grinded finish
FRACC100GSF	Ø100xH.45 cm	12x E14	27,0 kg	gold satin finish



All chandeliers are supplied with 2 meter steel cable, 2 meter electrical cable and a ceiling shade.

Specifications are subject to change without prior notice.

Catalogue Edition 31

Collection Fractal Cloud



FRACHR55BLM/ FRACHR55ST/ FRACHR55BRG

Fractal Cloud Hanging Lamp

(Ø55cm, H60cm, 3xE27, black matt finish / stainless steel / brass grinded finish, 13,0 kg)

Specifications are subject to change without prior notice.

Catalogue Edition 31

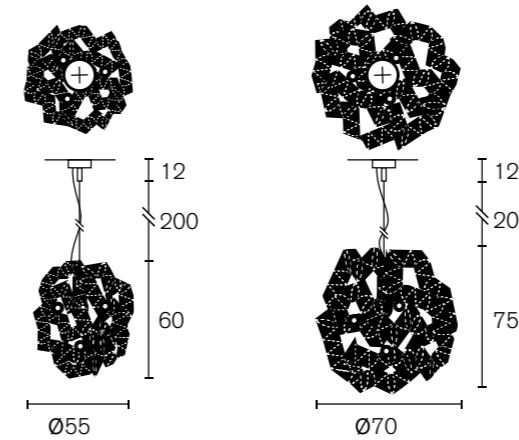
Collection Fractal Cloud



Hanging Lamp Cloud

Collection Images page 124-127, 328

Art.nr.	Dimensions	Light bulb	Weight	Finish
FRACHR55BLM	Ø55xH.60 cm	3x E27	13,0 kg	black matt finish
FRACHR55ST	Ø55xH.60 cm	3x E27	13,0 kg	stainless steel
FRACHR55BRG	Ø55xH.60 cm	3x E27	13,0 kg	brass grinded finish
FRACHR55GSF	Ø55xH.60 cm	3x E27	13,0 kg	gold satin finish
FRACHR70BLM	Ø70xH.75 cm	3x E27	18,0 kg	black matt finish
FRACHR70ST	Ø70xH.75 cm	3x E27	18,0 kg	stainless steel
FRACHR70BRG	Ø70xH.75 cm	3x E27	18,0 kg	brass grinded finish
FRACHR70GSF	Ø70xH.75 cm	3x E27	18,0 kg	gold satin finish



Due to our manual production method, dimensions of Fractal Hanging Lamp Cloud may vary a couple of centimetres in all directions.

All hanging lamps are supplied with 2 meter steel cable, 2 meter electric cable and a ceiling shade.

Specifications are subject to change without prior notice.

Catalogue Edition 31

Collection Flintstone



FLINTF160BLM

Flintstone Floor Lamp (L.160xW.40xH.235cm, black matt finish, 1 x E27, 40,0 kg)

Specifications are subject to change without prior notice.

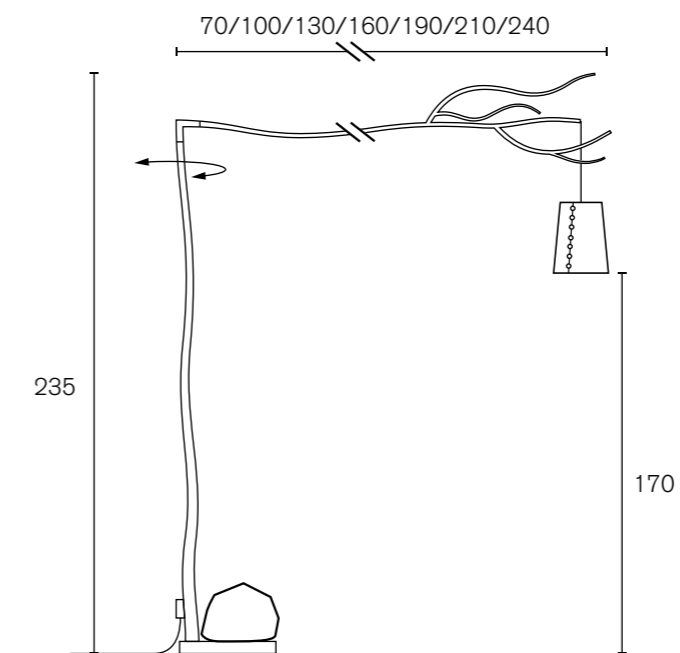
Collection Flintstone



Floor Lamp

Collection Images page 130-133, 330, 392

Art.nr.	Dimensions	Light bulb	Weight	Finish
FLINTF70BLM	L.70xW.40xH.235 cm	1x E27	40,0 kg	black matt finish
FLINTF70N	L.70xW.40xH.235 cm	1x E27	40,0 kg	nickel finish
FLINTF70BRBUR	L.70xW.40xH.235 cm	1x E27	40,0 kg	brass burnished finish
FLINTF70GSF	L.70xW.40xH.235 cm	1x E27	40,0 kg	gold satin finish
FLINTF100BLM	L.100xW.40xH.235 cm	1x E27	40,0 kg	black matt finish
FLINTF100N	L.100xW.40xH.235 cm	1x E27	40,0 kg	nickel finish
FLINTF100BRBUR	L.100xW.40xH.235 cm	1x E27	40,0 kg	brass burnished finish
FLINTF100GSF	L.100xW.40xH.235 cm	1x E27	40,0 kg	gold satin finish
FLINTF130BLM	L.130xW.40xH.235 cm	1x E27	40,0 kg	black matt finish
FLINTF130N	L.130xW.40xH.235 cm	1x E27	40,0 kg	nickel finish
FLINTF130BRBUR	L.130xW.40xH.235 cm	1x E27	40,0 kg	brass burnished finish
FLINTF130GSF	L.130xW.40xH.235 cm	1x E27	40,0 kg	gold satin finish
FLINTF160BLM	L.160xW.40xH.235 cm	1x E27	40,0 kg	black matt finish
FLINTF160N	L.160xW.40xH.235 cm	1x E27	40,0 kg	nickel finish
FLINTF160BRBUR	L.160xW.40xH.235 cm	1x E27	40,0 kg	brass burnished finish
FLINTF160GSF	L.160xW.40xH.235 cm	1x E27	40,0 kg	gold satin finish
FLINTF190BLM	L.190xW.40xH.235 cm	1x E27	40,0 kg	black matt finish
FLINTF190N	L.190xW.40xH.235 cm	1x E27	40,0 kg	nickel finish
FLINTF190BRBUR	L.190xW.40xH.235 cm	1x E27	40,0 kg	brass burnished finish
FLINTF190GSF	L.190xW.40xH.235 cm	1x E27	40,0 kg	gold satin finish
FLINTF210BLM	L.210xW.40xH.235 cm	1x E27	40,0 kg	black matt finish
FLINTF210N	L.210xW.40xH.235 cm	1x E27	40,0 kg </td <td>nickel finish</td>	nickel finish
FLINTF210BRBUR	L.210xW.40xH.235 cm	1x E27	40,0 kg	brass burnished finish
FLINTF210GSF	L.210xW.40xH.235 cm	1x E27	40,0 kg	gold satin finish
FLINTF240BLM	L.240xW.40xH.235 cm	1x E27	40,0 kg	black matt finish
FLINTF240N	L.240xW.40xH.235 cm	1x E27	40,0 kg	nickel finish
FLINTF240BRBUR	L.240xW.40xH.235 cm	1x E27	40,0 kg	brass burnished finish
FLINTF240GSF	L.240xW.40xH.235 cm	1x E27	40,0 kg	gold satin finish



Lamp shade can be in the same colour as the floor lamp without upcharge.
A unique rock will be included with each Flintstone by Brand van Egmond.

All floor lamps are supplied with a floor dimmer.

Floor lamps will be applied with a protective nano wax if ordered in brass burnished or copper burnished finish.

Specifications are subject to change without prior notice.

Collection Kelp



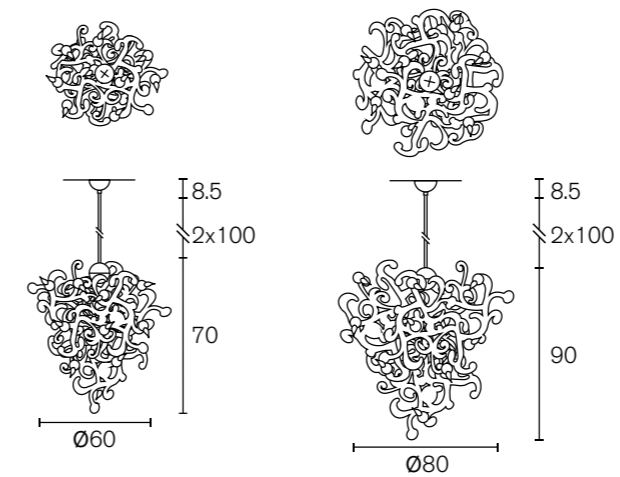
Collection Kelp

Chandelier Conical



Collection Images page 146-147

Art.nr.	Dimensions	Light bulb	Weight	Finish
KELPCC60BLM	Ø60xH.70 cm	10x E14	25,0 kg	black matt finish
KELPCC60ST	Ø60xH.70 cm	10x E14	25,0 kg	stainless steel
KELPCC60BR	Ø60xH.70 cm	10x E14	25,0 kg	brass finish
KELPCC60BRA	Ø60xH.70 cm	10x E14	25,0 kg	brass aged finish
KELPCC60BRG	Ø60xH.70 cm	10x E14	25,0 kg	brass grinded finish
KELPCC60BRBUR	Ø60xH.70 cm	10x E14	25,0 kg	brass burnished finish
KELPCC60COP	Ø60xH.70 cm	10x E14	25,0 kg	copper finish
KELPCC60GSF	Ø60xH.70 cm	10x E14	25,0 kg	gold satin finish
KELPCC80BLM	Ø80xH.90 cm	10x E14	30,0 kg	black matt finish
KELPCC80ST	Ø80xH.90 cm	10x E14	30,0 kg	stainless steel
KELPCC80BR	Ø80xH.90 cm	10x E14	30,0 kg	brass finish
KELPCC80BRA	Ø80xH.90 cm	10x E14	30,0 kg	brass aged finish
KELPCC80BRG	Ø80xH.90 cm	10x E14	30,0 kg	brass grinded finish
KELPCC80BRBUR	Ø80xH.90 cm	10x E14	30,0 kg	brass burnished finish
KELPCC80COP	Ø80xH.90 cm	10x E14	30,0 kg	copper finish
KELPCC80GSF	Ø80xH.90 cm	10x E14	30,0 kg	gold satin finish



KELPOC140COP

Kelp Chandelier Oval (L.140xW.60xH.55 cm, copper finish, 10 x E14, 30,0 kg)

Specifications are subject to change without prior notice.

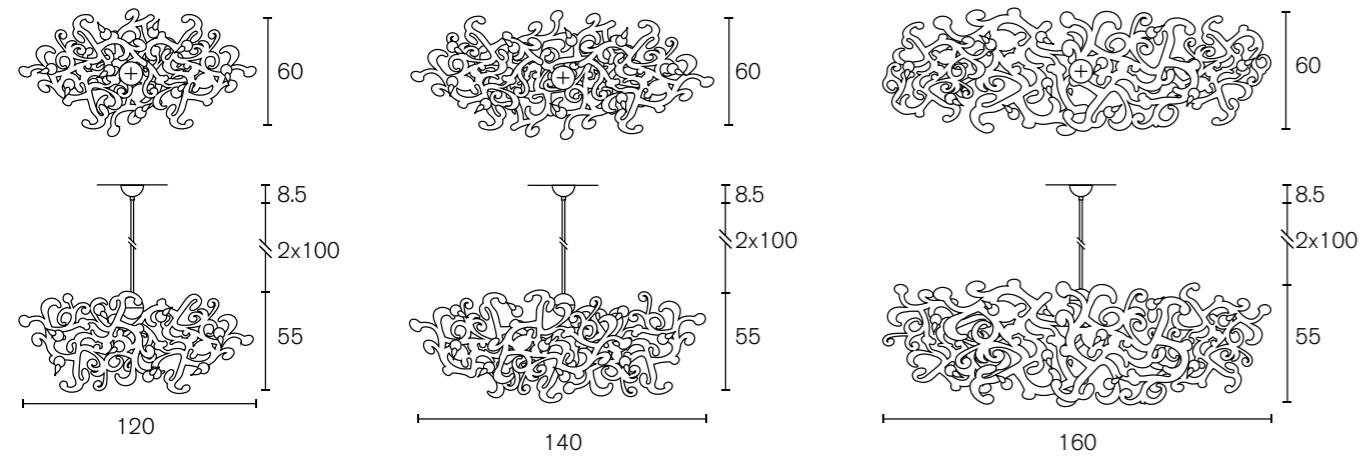
Catalogue Edition 31

Standard the Kelp will be delivered with the globes in the same finish of the lamp. The globes can be delivered in various finishes on request. All chandeliers are supplied with 2 meter stem and a ceiling shade.

Specifications are subject to change without prior notice.

Catalogue Edition 31

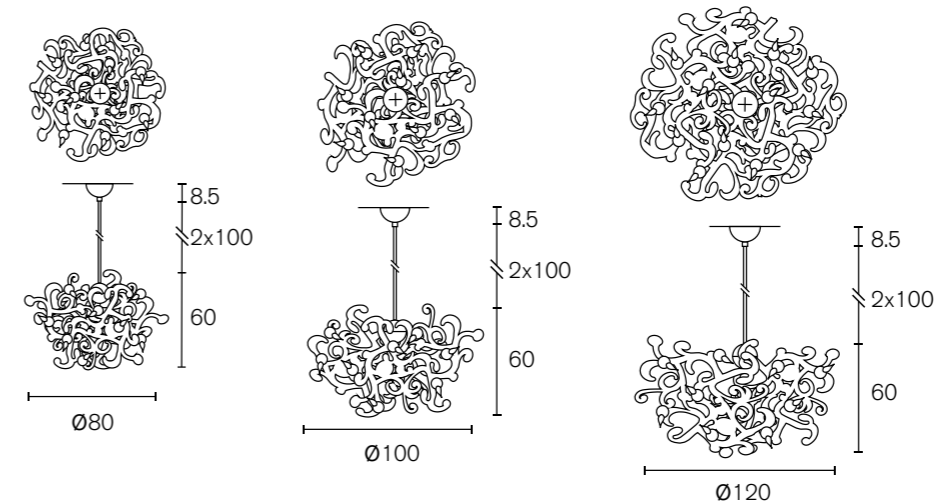
Art.nr.	Dimensions	Light bulb	Weight	Finish
KELPOC120BLM	L.120xW.60xH.55 cm	10x E14	25,0 kg	black matt finish
KELPOC120ST	L.120xW.60xH.55 cm	10x E14	25,0 kg	stainless steel
KELPOC120BR	L.120xW.60xH.55 cm	10x E14	25,0 kg	brass finish
KELPOC120BRA	L.120xW.60xH.55 cm	10x E14	25,0 kg	brass aged finish
KELPOC120BRG	L.120xW.60xH.55 cm	10x E14	25,0 kg	brass grinded finish
KELPOC120BRBUR	L.120xW.60xH.55 cm	10x E14	25,0 kg	brass burnished finish
KELPOC120COP	L.120xW.60xH.55 cm	10x E14	25,0 kg	copper finish
KELPOC120GSF	L.120xW.60xH.55 cm	10x E14	25,0 kg	gold satin finish
KELPOC140BLM	L.140xW.60xH.55 cm	10x E14	30,0 kg	black matt finish
KELPOC140ST	L.140xW.60xH.55 cm	10x E14	30,0 kg	stainless steel
KELPOC140BR	L.140xW.60xH.55 cm	10x E14	30,0 kg	brass finish
KELPOC140BRA	L.140xW.60xH.55 cm	10x E14	30,0 kg	brass aged finish
KELPOC140BRG	L.140xW.60xH.55 cm	10x E14	30,0 kg	brass grinded finish
KELPOC140BRBUR	L.140xW.60xH.55 cm	10x E14	30,0 kg	brass burnished finish
KELPOC140COP	L.140xW.60xH.55 cm	10x E14	30,0 kg	copper finish
KELPOC140GSF	L.140xW.60xH.55 cm	10x E14	30,0 kg	gold satin finish
KELPOC160BLM	L.160xW.60xH.55 cm	10x E14	40,0 kg	black matt finish
KELPOC160ST	L.160xW.60xH.55 cm	10x E14	40,0 kg	stainless steel
KELPOC160BR	L.160xW.60xH.55 cm	10x E14	40,0 kg	brass finish
KELPOC160BRA	L.160xW.60xH.55 cm	10x E14	40,0 kg	brass aged finish
KELPOC160BRG	L.160xW.60xH.55 cm	10x E14	40,0 kg	brass grinded finish
KELPOC160BRBUR	L.160xW.60xH.55 cm	10x E14	40,0 kg	brass burnished finish
KELPOC160COP	L.160xW.60xH.55 cm	10x E14	40,0 kg	copper finish
KELPOC160GSF	L.160xW.60xH.55 cm	10x E14	40,0 kg	gold satin finish



Standard the Kelp will be delivered with the globes in the same finish of the lamp. The globes can be delivered in various finishes on request.
All chandeliers are supplied with 2 meter stem and a ceiling shade.

Specifications are subject to change without prior notice.

Art.nr.	Dimensions	Light bulb	Weight	Finish
KELPC80BLM	Ø80xH.60 cm	10x E14	25,0 kg	black matt finish
KELPC80ST	Ø80xH.60 cm	10x E14	25,0 kg	stainless steel
KELPC80BR	Ø80xH.60 cm	10x E14	25,0 kg	brass finish
KELPC80BRA	Ø80xH.60 cm	10x E14	25,0 kg	brass aged finish
KELPC80BRG	Ø80xH.60 cm	10x E14	25,0 kg	brass grinded finish
KELPC80BRBUR	Ø80xH.60 cm	10x E14	25,0 kg	brass burnished finish
KELPC80COP	Ø80xH.60 cm	10x E14	25,0 kg	copper finish
KELPC80GSF	Ø80xH.60 cm	10x E14	25,0 kg	gold satin finish
KELPC100BLM	Ø100xH.60 cm	10x E14	30,0 kg	black matt finish
KELPC100ST	Ø100xH.60 cm	10x E14	30,0 kg	stainless steel
KELPC100BR	Ø100xH.60 cm	10x E14	30,0 kg	brass finish
KELPC100BRA	Ø100xH.60 cm	10x E14	30,0 kg	brass aged finish
KELPC100BRG	Ø100xH.60 cm	10x E14	30,0 kg	brass grinded finish
KELPC100BRBUR	Ø100xH.60 cm	10x E14	30,0 kg	brass burnished finish
KELPC100COP	Ø100xH.60 cm	10x E14	30,0 kg	copper finish
KELPC100GSF	Ø100xH.60 cm	10x E14	30,0 kg	gold satin finish
KELPC120BLM	Ø120xH.60 cm	10x E14	40,0 kg	black matt finish
KELPC120ST	Ø120xH.60 cm	10x E14	40,0 kg	stainless steel
KELPC120BR	Ø120xH.60 cm	10x E14	40,0 kg	brass finish
KELPC120BRA	Ø120xH.60 cm	10x E14	40,0 kg	brass aged finish
KELPC120BRG	Ø120xH.60 cm	10x E14	40,0 kg	brass grinded finish
KELPC120BRBUR	Ø120xH.60 cm	10x E14	40,0 kg	brass burnished finish
KELPC120COP	Ø120xH.60 cm	10x E14	40,0 kg	copper finish
KELPC120GSF	Ø120xH.60 cm	10x E14	40,0 kg	gold satin finish

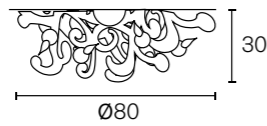
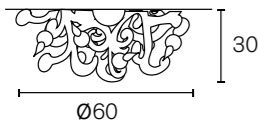
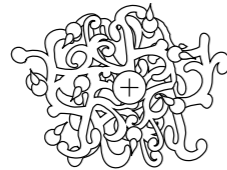


Standard the Kelp will be delivered with the globes in the same finish of the lamp. The globes can be delivered in various finishes on request.
All chandeliers are supplied with 2 meter stem and a ceiling shade.

Specifications are subject to change without prior notice.

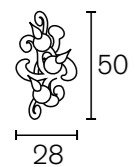


Art.nr.	Dimensions	Light bulb	Weight	Finish
KELPP60BLM	Ø60xH.30 cm	6x E14	13,0 kg	black matt finish
KELPP60ST	Ø60xH.30 cm	6x E14	13,0 kg	stainless steel
KELPP60BR	Ø60xH.30 cm	6x E14	13,0 kg	brass finish
KELPP60BRA	Ø60xH.30 cm	6x E14	13,0 kg	brass aged finish
KELPP60BRG	Ø60xH.30 cm	6x E14	13,0 kg	brass grinded finish
KELPP60BRBUR	Ø60xH.30 cm	6x E14	13,0 kg	brass burnished finish
KELPP60COP	Ø60xH.30 cm	6x E14	13,0 kg	copper finish
KELPP60GSF	Ø60xH.30 cm	6x E14	13,0 kg	gold satin finish
KELPP80BLM	Ø80xH.30 cm	6x E14	15,0 kg	black matt finish
KELPP80ST	Ø80xH.30 cm	6x E14	15,0 kg	stainless steel
KELPP80BR	Ø80xH.30 cm	6x E14	15,0 kg	brass finish
KELPP80BRA	Ø80xH.30 cm	6x E14	15,0 kg	brass aged finish
KELPP80BRG	Ø80xH.30 cm	6x E14	15,0 kg	brass grinded finish
KELPP80BRBUR	Ø80xH.30 cm	6x E14	15,0 kg	brass burnished finish
KELPP80COP	Ø80xH.30 cm	6x E14	15,0 kg	copper finish
KELPP80GSF	Ø80xH.30 cm	6x E14	15,0 kg	gold satin finish



Wall lamp

Art.nr.	Dimensions	Light bulb	Weight	Finish
KELPW50BLM	W.28 cm x H.50cm x D.15 cm	3 x E14	3,5 kg	black matt finish
KELPW50ST	W.28 cm x H.50cm x D.15 cm	3 x E14	3,5 kg	stainless steel
KELPW50BR	W.28 cm x H.50cm x D.15 cm	3 x E14	3,5 kg	brass finish
KELPW50BRA	W.28 cm x H.50cm x D.15 cm	3 x E14	3,5 kg	brass aged finish
KELPW50BRG	W.28 cm x H.50cm x D.15 cm	3 x E14	3,5 kg	brass grinded finish
KELPW50BRBUR	W.28 cm x H.50cm x D.15 cm	3 x E14	3,5 kg	brass burnished finish
KELPW50COP	W.28 cm x H.50cm x D.15 cm	3 x E14	3,5 kg	copper finish
KELPW50GSF	W.28 cm x H.50cm x D.15 cm	3 x E14	3,5 kg	gold satin finish



KELPP80BRG

Kelp Ceiling Lamp (Ø80xH.30 cm, brass grinded finish, 6 x E14, 15,0 kg)

Standard the Kelp will be delivered with the globes in the same finish of the lamp. The globes can be delivered in various finishes on request.



DETAIL 100KELPCOP

Specifications are subject to change without prior notice.

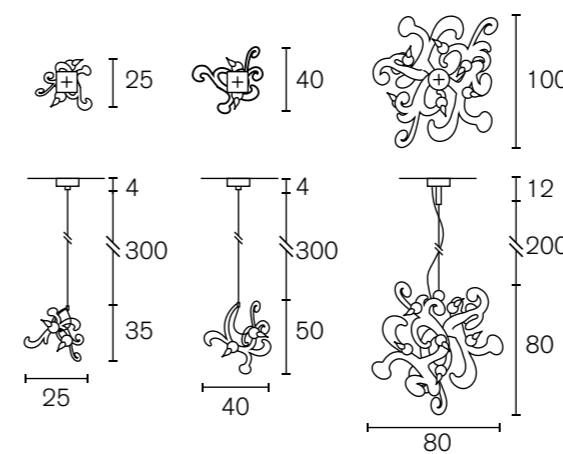
Collection Kelp



Element

Collection Images page 134-145

Art.nr.	Dimensions	Light bulb	Weight	Finish
25KELPBLM	L.25xW.25xH.35 cm	2x E14	2,0 kg	black matt finish
25KELPST	L.25xW.25xH.35 cm	2x E14	2,0 kg	stainless steel
25KELPBR	L.25xW.25xH.35 cm	2x E14	2,0 kg	brass finish
25KELPBRA	L.25xW.25xH.35 cm	2x E14	2,0 kg	brass aged finish
25KELPBRG	L.25xW.25xH.35 cm	2x E14	2,0 kg	brass grinded finish
25KELPBRBUR	L.25xW.25xH.35 cm	2x E14	2,0 kg	brass burnished finish
25KELPCOP	L.25xW.25xH.35 cm	2x E14	2,0 kg	copper finish
25KELPGSF	L.25xW.25xH.35 cm	2x E14	2,0 kg	gold satin finish
50KELPBLM	L.40xW.40xH.50 cm	2x E14	2,5 kg	black matt finish
50KELPST	L.40xW.40xH.50 cm	2x E14	2,5 kg	stainless steel
50KELPBR	L.40xW.40xH.50 cm	2x E14	2,5 kg	brass finish
50KELPBRA	L.40xW.40xH.50 cm	2x E14	2,5 kg	brass aged finish
50KELPBRG	L.40xW.40xH.50 cm	2x E14	2,5 kg	brass grinded finish
50KELPBRBUR	L.40xW.40xH.50 cm	2x E14	2,5 kg	brass burnished finish
50KELPCOP	L.40xW.40xH.50 cm	2x E14	2,5 kg	copper finish
50KELPGSF	L.40xW.40xH.50 cm	2x E14	2,5 kg	gold satin finish
100KELPBLM	L.80xW.100xH.80 cm	5x E14	15,0 kg	black matt finish
100KELPST	L.80xW.100xH.80 cm	5x E14	15,0 kg	stainless steel
100KELPBR	L.80xW.100xH.80 cm	5x E14	15,0 kg	brass finish
100KELPBRA	L.80xW.100xH.80 cm	5x E14	15,0 kg	brass aged finish
100KELPBRG	L.80xW.100xH.80 cm	5x E14	15,0 kg	brass grinded finish
100KELPBRBUR	L.80xW.100xH.80 cm	5x E14	15,0 kg	brass burnished finish
100KELPCOP	L.80xW.100xH.80 cm	5x E14	15,0 kg	copper finish
100KELPGSF	L.80xW.100xH.80 cm	5x E14	15,0 kg	gold satin finish



Standard the Kelp will be delivered with the globes in the same finish of the lamp. The globes can be delivered in various finishes on request.

Kelp elements are supplied with 2 meter steel cable, 2 meter electrical cable and a ceiling shade

25Kelp and 50Kelp elements are supplied with 3 meter electrical cable and a ceiling shade.

25Kelp and 50Kelp elements are hanging on an electrical cable.

Specifications are subject to change without prior notice.



100KELPCOP COMPOSITION

Composition of 3 Kelp Elements (L.80xW.100xH.80 cm, 5 x E14, copper finish, 15,0 kg)

Specifications are subject to change without prior notice.

Catalogue Edition 31

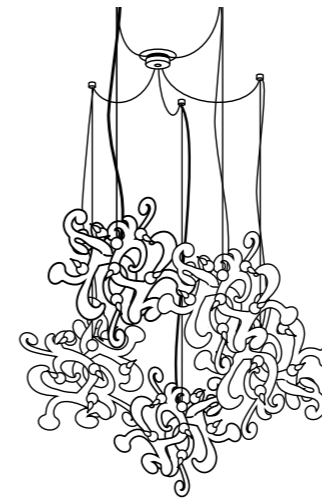
Collection Kelp



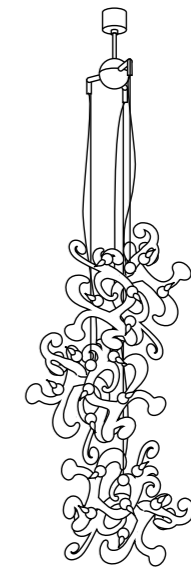
The KELP collection contains various elements that give the possibility to merge different objects into a composition. The individual elements can be used as stand alone, they can be hung in a composition and a chandelier can be assembled. Chosen can be from the following options:

Suspension options

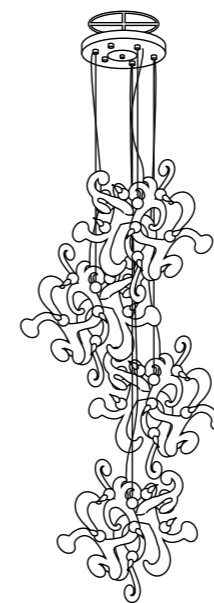
Central Pot



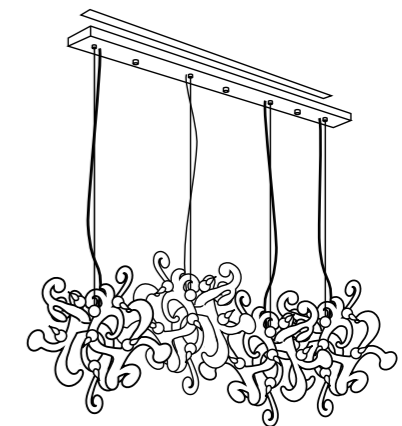
Satellite



Disc



Ceiling Cover in line



Specifications are subject to change without prior notice.

Catalogue Edition 31

Collection Arthur



ARCC70N

Arthur Chandelier Conical (Ø70xH.80 cm, nickel finish, 12 x E14, 35,0 kg)

Specifications are subject to change without prior notice.

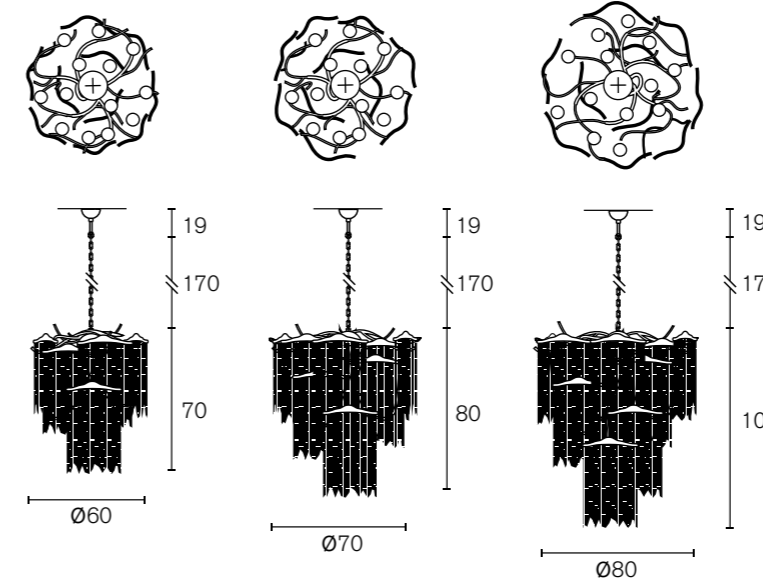
Collection Arthur

Chandelier Conical



Collection Images page 153, 342

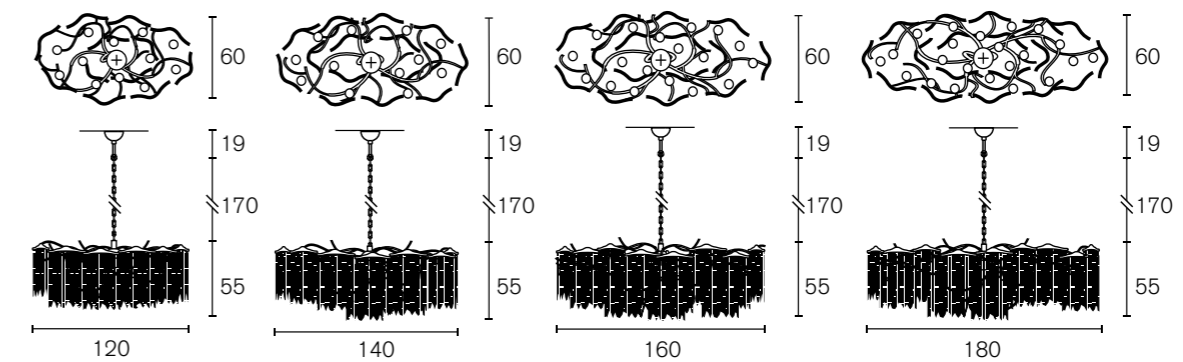
Art.nr.	Dimensions	Light bulb	Weight	Finish
ARCC60BLM	Ø60xH.70 cm	8x E14	30,0 kg	black matt finish
ARCC60N	Ø60xH.70 cm	8x E14	30,0 kg	nickel finish
ARCC60GSF	Ø60xH.70 cm	8x E14	30,0 kg	gold satin finish
ARCC70BLM	Ø70xH.80 cm	12x E14	35,0 kg	black matt finish
ARCC70N	Ø70xH.80 cm	12x E14	35,0 kg	nickel finish
ARCC70GSF	Ø70xH.80 cm	12x E14	35,0 kg	gold satin finish
ARCC80BLM	Ø80xH.100 cm	14x E14	40,0 kg	black matt finish
ARCC80N	Ø80xH.100 cm	14x E14	40,0 kg	nickel finish
ARCC80GSF	Ø80xH.100 cm	14x E14	40,0 kg	gold satin finish



Chandelier Oval

Collection Images page 154, 347

Art.nr.	Dimensions	Light bulb	Weight	Finish
AROC120BLM	L.120xW.60xH.55 cm	12x E14	40,0 kg	black matt finish
AROC120N	L.120xW.60xH.55 cm	12x E14	40,0 kg	nickel finish
AROC120GSF	L.120xW.60xH.55 cm	12x E14	40,0 kg	gold satin finish
AROC140BLM	L.140xW.60xH.55 cm	12x E14	45,0 kg	black matt finish
AROC140N	L.140xW.60xH.55 cm	12x E14	45,0 kg	nickel finish
AROC140GSF	L.140xW.60xH.55 cm	12x E14	45,0 kg	gold satin finish
AROC160BLM	L.160xW.60xH.55 cm	16x E14	47,0 kg	black matt finish
AROC160N	L.160xW.60xH.55 cm	16x E14	47,0 kg	nickel finish
AROC160GSF	L.160xW.60xH.55 cm	16x E14	47,0 kg	gold satin finish
AROC180BLM	L.180xW.60xH.55 cm	16x E14	49,0 kg	black matt finish
AROC180N	L.180xW.60xH.55 cm	16x E14	49,0 kg	nickel finish
AROC180GSF	L.180xW.60xH.55 cm	16x E14	49,0 kg	gold satin finish



All chandeliers are supplied with 1,7 meter chain, 2 meter electrical cable and a ceiling shade.

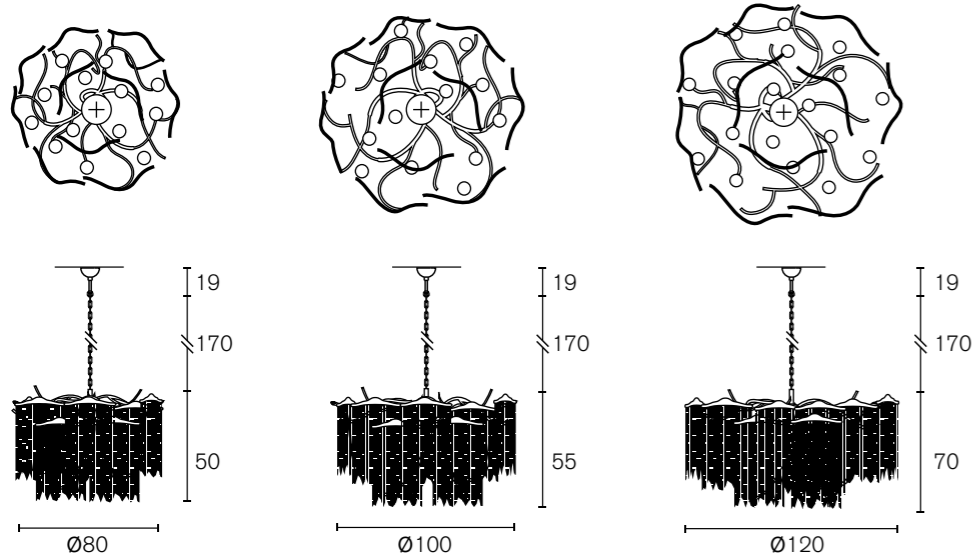
Specifications are subject to change without prior notice.

Chandelier Round



Collection Images page 155-157

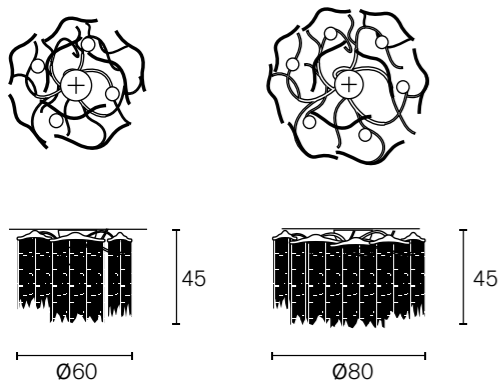
Art.nr.	Dimensions	Light bulb	Weight	Finish
ARC80BLM	Ø80xH.50 cm	12x E14	30,0 kg	black matt finish
ARC80N	Ø80xH.50 cm	12x E14	30,0 kg	nickel finish
ARC80GSF	Ø80xH.50 cm	12x E14	30,0 kg	gold satin finish
ARC100BLM	Ø100xH.55 cm	14x E14	40,0 kg	black matt finish
ARC100N	Ø100xH.55 cm	14x E14	40,0 kg	nickel finish
ARC100GSF	Ø100xH.55 cm	14x E14	40,0 kg	gold satin finish
ARC120BLM	Ø120xH.70 cm	16x E14	60,0 kg	black matt finish
ARC120N	Ø120xH.70 cm	16x E14	60,0 kg	nickel finish
ARC120GSF	Ø120xH.70 cm	16x E14	60,0 kg	gold satin finish



Ceiling Lamp Round

Collection Images page 160

Art.nr.	Dimensions	Light bulb	Weight	Finish
ARP60BLM	Ø60xH.45 cm	6x E14	25,0 kg	black matt finish
ARP60N	Ø60xH.45 cm	6x E14	25,0 kg	nickel finish
ARP60GSF	Ø60xH.45 cm	6x E14	25,0 kg	gold satin finish
ARP80BLM	Ø80xH.45 cm	8x E14	30,0 kg	black matt finish
ARP80N	Ø80xH.45 cm	8x E14	30,0 kg	nickel finish
ARP80GSF	Ø80xH.45 cm	8x E14	30,0 kg	gold satin finish



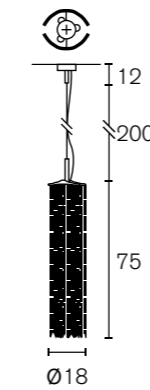
All chandeliers are supplied with 1,7 meter chain, 2 meter electrical cable and a ceiling shade.
Specifications are subject to change without prior notice.

Hanging Lamp



Collection Images page 158

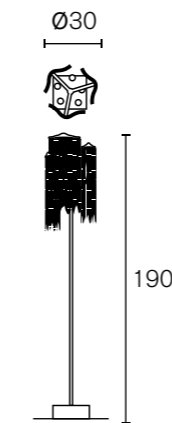
Art.nr.	Dimensions	Light bulb	Weight	Finish
AR18BLM	Ø18xH.75 cm	3x E14	10,0 kg	black matt finish
AR18N	Ø18xH.75 cm	3x E14	10,0 kg	nickel finish
AR18GSF	Ø18xH.75 cm	3x E14	10,0 kg	gold satin finish



Floor Lamp

Collection Images page 161

Art.nr.	Dimensions	Light bulb	Weight	Finish
ARF190BLM	Ø30xH.190 cm	5x E14	32,0 kg	black matt finish
ARF190N	Ø30xH.190 cm	5x E14	32,0 kg	nickel finish
ARF190GSF	Ø30xH.190 cm	5x E14	32,0 kg	gold satin finish

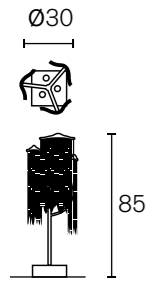


All hanging lamps are supplied with 2 meter steel cable, 2 meter electrical cable and a ceiling shade
All floor and table lamps are supplied with a dimmer.
Floorlamps will be applied with a protective nano wax if ordered in brass burnished or copper burnished finish
Specifications are subject to change without prior notice.

Table Lamp

Collection Images page 160

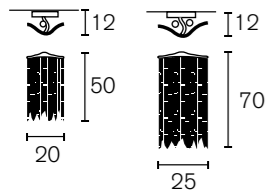
Art.nr.	Dimensions	Light bulb	Weight	Finish
ART30BLM	Ø30xH.85 cm	3x E14	17,0 kg	black matt finish
ART30N	Ø30xH.85 cm	3x E14	17,0 kg	nickel finish
ART30GSF	Ø30xH.85 cm	3x E14	17,0 kg	gold satin finish



Wall Lamp

Collection Images page 161

Art.nr.	Dimensions	Light bulb	Weight	Finish
ARW50BLM	W.20xH.50xD.12 cm	1x E14	7,0 kg	black matt finish
ARW50N	W.20xH.50xD.12 cm	1x E14	7,0 kg	nickel finish
ARW50GSF	W.20xH.50xD.12 cm	1x E14	7,0 kg	gold satin finish
ARW70BLM	W.25xH.70xD.12 cm	2x E14	10,0 kg	black matt finish
ARW70N	W.25xH.70xD.12 cm	2x E14	10,0 kg	nickel finish
ARW70GSF	W.25xH.70xD.12 cm	2x E14	10,0 kg	gold satin finish



All tablelamps are supplied with a dimmer.
 Wall and table lamps will be applied with a protective nano wax if ordered in brass burnished or copper burnished finish.
 Specifications are subject to change without prior notice.



AROC140N
 (L.140xW.60xH.55 cm, nickel finish, 12x E14, 45 kg)

Specifications are subject to change without prior notice.

Collection Victoria



VCC70N

Victoria Chandelier Conical (Ø70xH.80 cm, nickel finish, 12 x E14, 28,0 kg)

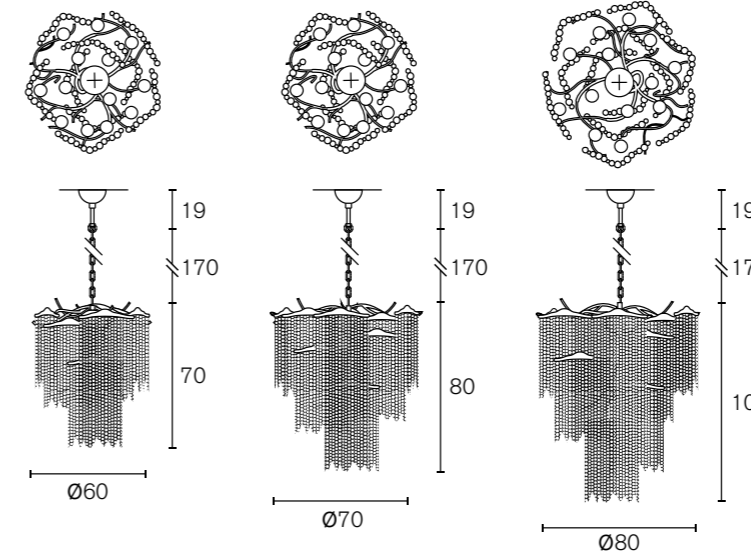
Collection Victoria



Chandelier Conical

Collection Images page 163, 348

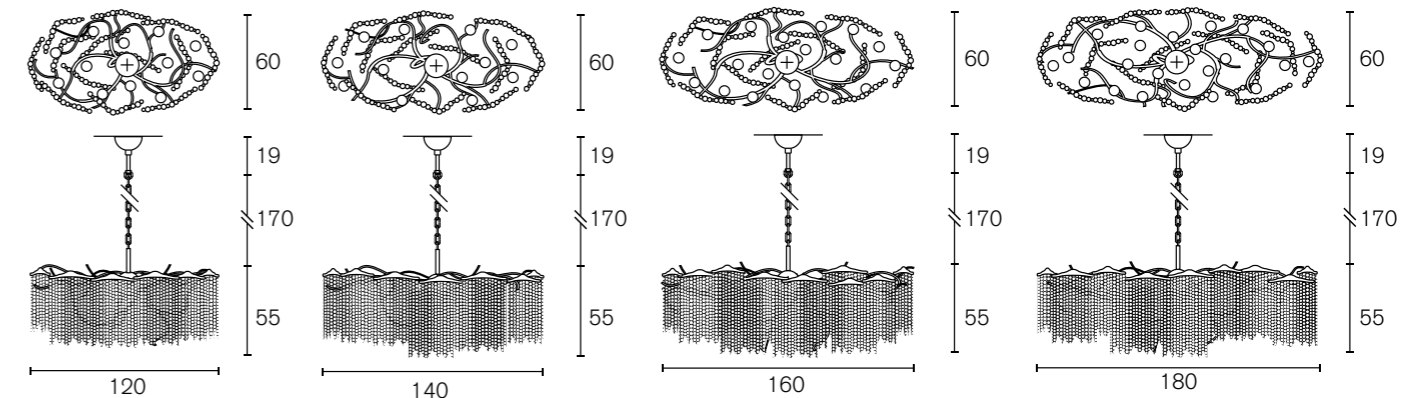
Art.nr.	Dimensions	Light bulb	Weight	Finish
VCC60BLM	Ø60xH.70 cm	8x E14	24,0 kg	black matt finish
VCC60N	Ø60xH.70 cm	8x E14	24,0 kg	nickel finish
VCC60GSF	Ø60xH.70 cm	8x E14	24,0 kg	gold satin finish
VCC70BLM	Ø70xH.80 cm	12x E14	28,0 kg	black matt finish
VCC70N	Ø70xH.80 cm	12x E14	28,0 kg	nickel finish
VCC70GSF	Ø70xH.80 cm	12x E14	28,0 kg	gold satin finish
VCC80BLM	Ø80xH.100 cm	14x E14	30,0 kg	black matt finish
VCC80N	Ø80xH.100 cm	14x E14	30,0 kg	nickel finish
VCC80GSF	Ø80xH.100 cm	14x E14	30,0 kg	gold satin finish



Chandelier Oval

Collection Images page 164, 353

Art.nr.	Dimensions	Light bulb	Weight	Finish
VOC120BLM	L.120xW.60xH.55 cm	12x E14	26,0 kg	black matt finish
VOC120N	L.120xW.60xH.55 cm	12x E14	26,0 kg	nickel finish
VOC120GSF	L.120xW.60xH.55 cm	12x E14	26,0 kg	gold satin finish
VOC140BLM	L.140xW.60xH.55 cm	12x E14	30,0 kg	black matt finish
VOC140N	L.140xW.60xH.55 cm	12x E14	30,0 kg	nickel finish
VOC140GSF	L.140xW.60xH.55 cm	12x E14	30,0 kg	gold satin finish
VOC160BLM	L.160xW.60xH.55 cm	16x E14	33,0 kg	black matt finish
VOC160N	L.160xW.60xH.55 cm	16x E14	33,0 kg	nickel finish
VOC160GSF	L.160xW.60xH.55 cm	16x E14	33,0 kg	gold satin finish
VOC180BLM	L.180xW.60xH.55 cm	18x E14	35,0 kg	black matt finish
VOC180N	L.180xW.60xH.55 cm	18x E14	35,0 kg	nickel finish
VOC180GSF	L.180xW.60xH.55 cm	18x E14	35,0 kg	gold satin finish

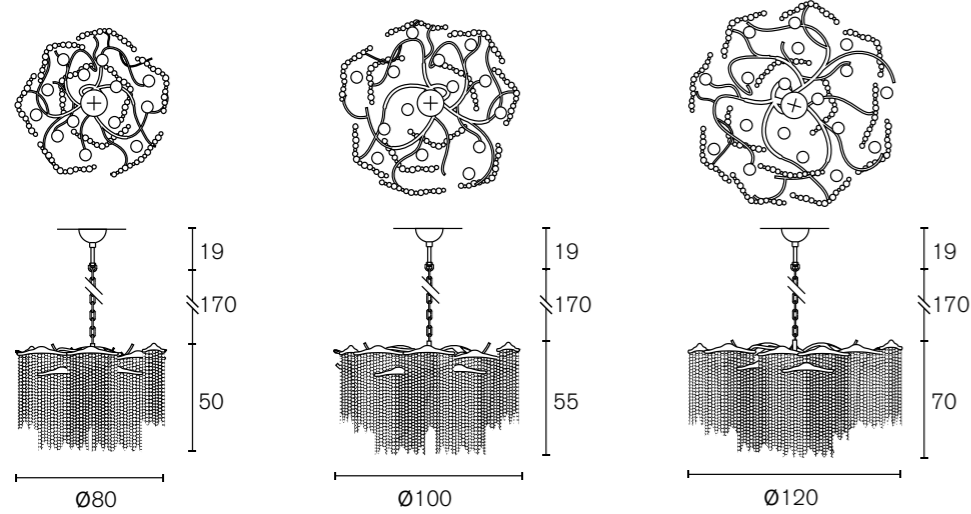


All chandeliers are supplied with 1,7 meter chain, 2 meter electrical cable and a ceiling shade.

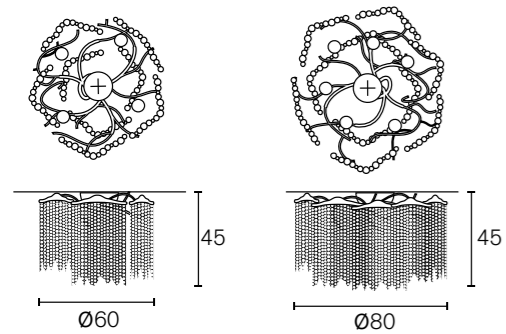
Specifications are subject to change without prior notice.

Specifications are subject to change without prior notice.

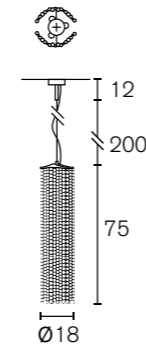
Art.nr.	Dimensions	Light bulb	Weight	Finish
VC80BLM	Ø80xH.50 cm	12x E14	25,0 kg	black matt finish
VC80N	Ø80xH.50 cm	12x E14	25,0 kg	nickel finish
VC80GSF	Ø80xH.50 cm	12x E14	25,0 kg	gold satin finish
VC100BLM	Ø100xH.55 cm	14x E14	29,0 kg	black matt finish
VC100N	Ø100xH.55 cm	14x E14	29,0 kg	nickel finish
VC100GSF	Ø100xH.55 cm	14x E14	29,0 kg	gold satin finish
VC120BLM	Ø120xH.70 cm	16x E14	32,0 kg	black matt finish
VC120N	Ø120xH.70 cm	16x E14	32,0 kg	nickel finish
VC120GSF	Ø120xH.70 cm	16x E14	32,0 kg	gold satin finish



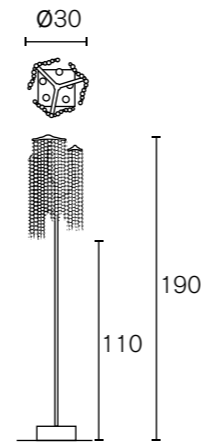
Art.nr.	Dimensions	Light bulb	Weight	Finish
VP60BLM	Ø60xH.45 cm	6x E14	13,0 kg	black matt finish
VP60N	Ø60xH.45 cm	6x E14	13,0 kg	nickel finish
VP60GSF	Ø60xH.45 cm	6x E14	13,0 kg	gold satin finish
VP80BLM	Ø80xH.45 cm	8x E14	20,0 kg	black matt finish
VP80N	Ø80xH.45 cm	8x E14	20,0 kg	nickel finish
VP80GSF	Ø80xH.45 cm	8x E14	20,0 kg	gold satin finish



Art.nr.	Dimensions	Light bulb	Weight	Finish
VC18BLM	Ø18xH.75 cm	3x E14	7,0 kg	black matt finish
VC18N	Ø18xH.75 cm	3x E14	7,0 kg	nickel finish
VC18GSF	Ø18xH.75 cm	3x E14	7,0 kg	gold satin finish



Art.nr.	Dimensions	Light bulb	Weight	Finish
VF190BLM	Ø30xH.190 cm	5x E14	27,0 kg	black matt finish
VF190N	Ø30xH.190 cm	5x E14	27,0 kg	nickel finish
VF190GSF	Ø30xH.190 cm	5x E14	27,0 kg	gold satin finish



All chandeliers are supplied with 1,7 meter chain, 2 meter electrical cable and a ceiling shade.

Specifications are subject to change without prior notice.

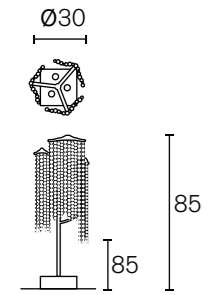
All hanging lamps are supplied with 2 meter steel cable, 2 meter electrical cable and a ceiling shade
All floor and table lamps are supplied with a dimmer.
Floorlamps will be applied with a protective nano wax if ordered in brass burnished or copper burnished finish

Specifications are subject to change without prior notice.

Table Lamp

Collection Images page 168

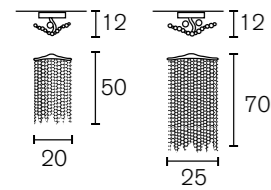
Art.nr.	Dimensions	Light bulb	Weight	Finish
VT30BLM	Ø30xH.85 cm	3x E14	12,0 kg	black matt finish
VT30N	Ø30xH.85 cm	3x E14	12,0 kg	nickel finish
VT30GSF	Ø30xH.85 cm	3x E14	12,0 kg	gold satin finish



Wall Lamp

Collection Images page 155

Art.nr.	Dimensions	Light bulb	Weight	Finish
VW50BLM	W.20xH.50xD.12 cm	1x E14	5,0 kg	black matt finish
VW50N	W.20xH.50xD.12 cm	1x E14	5,0 kg	nickel finish
VW50GSF	W.20xH.50xD.12 cm	1x E14	5,0 kg	gold satin finish
VW70BLM	W.25xH.70xD.12 cm	2x E14	8,0 kg	black matt finish
VW70N	W.25xH.70xD.12 cm	2x E14	8,0 kg	nickel finish
VW70GSF	W.25xH.70xD.12 cm	2x E14	8,0 kg	gold satin finish



VOC160N

L.160xW.60xH.55 cm 16x E14 33,0 kg nickel finish

Wall and table lamps will be applied with a protective nano wax if ordered in brass burnished or copper burnished finish.
All table lamps are supplied with a dimmer.

Specifications are subject to change without prior notice.

Catalogue Edition 31

Specifications are subject to change without prior notice.

Catalogue Edition 31

Collection Sultans Of Swing



SOSOC140N

Sultans Of Swing Chandel (L.140xW.70xH.55 cm, nickel finish, 14 x E14, 26,0 kg)

Specifications are subject to change without prior notice.

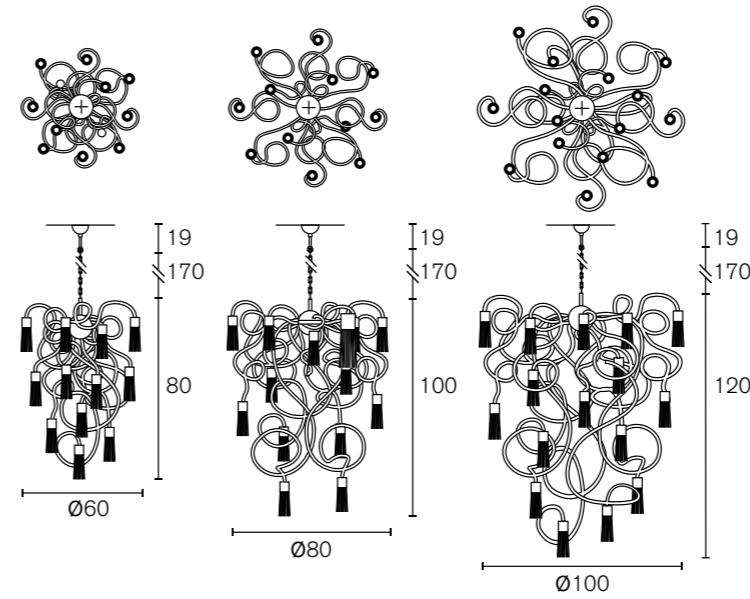
Collection Sultans Of Swing



Chandelier Conical

Collection Images page 175-176

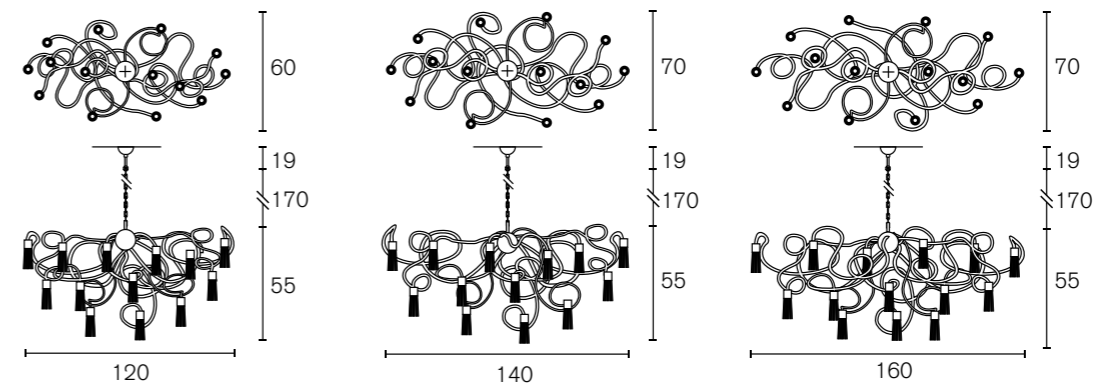
Art.nr.	Dimensions	Light bulb	Weight	Finish
SOSCC60N	Ø60xH.80 cm	12x E14	23,0 kg	nickel finish
SOSCC60GSF	Ø60xH.80 cm	12x E14	23,0 kg	gold satin finish
SOSCC80N	Ø80xH.100 cm	14x E14	30,0 kg	nickel finish
SOSCC80GSF	Ø80xH.100 cm	14x E14	30,0 kg	gold satin finish
SOSC100N	Ø100xH.55 cm	14x E14	38,0 kg	nickel finish
SOSC100GSF	Ø100xH.55 cm	14x E14	38,0 kg	gold satin finish



Chandelier Oval

Collection Images page 177

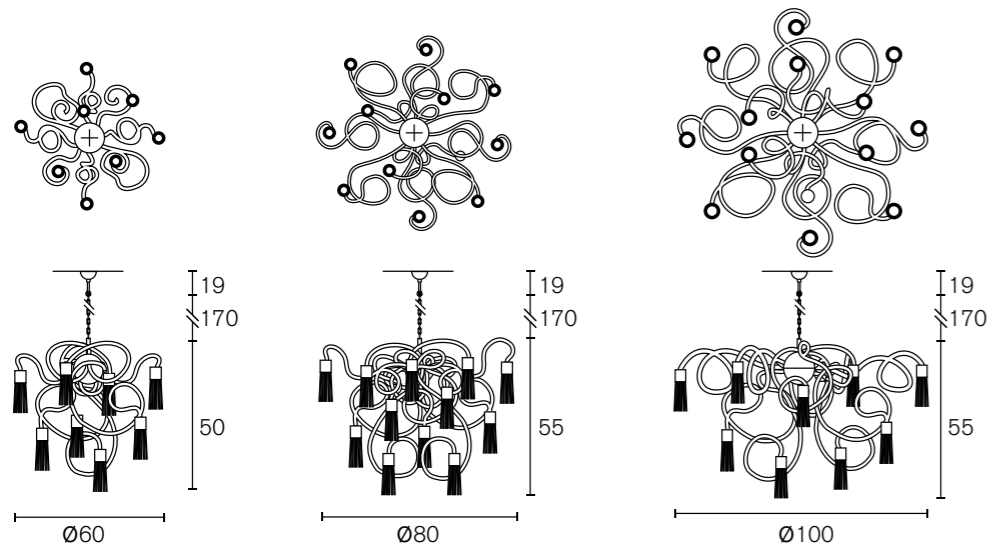
Art.nr.	Dimensions	Light bulb	Weight	Finish
SOSOC120N	L.120xW.60xH.55 cm	14x E14	21,0 kg	nickel finish
SOSOC120GSF	L.120xW.60xH.55 cm	14x E14	21,0 kg	gold satin finish
SOSOC140N	L.140xW.70xH.55 cm	14x E14	26,0 kg	nickel finish
SOSOC140GSF	L.140xW.70xH.55 cm	14x E14	26,0 kg	gold satin finish
SOSOC160N	L.160xW.70xH.55 cm	14x E14	35,0 kg	nickel finish
SOSOC160GSF	L.160xW.70xH.55 cm	14x E14	35,0 kg	gold satin finish



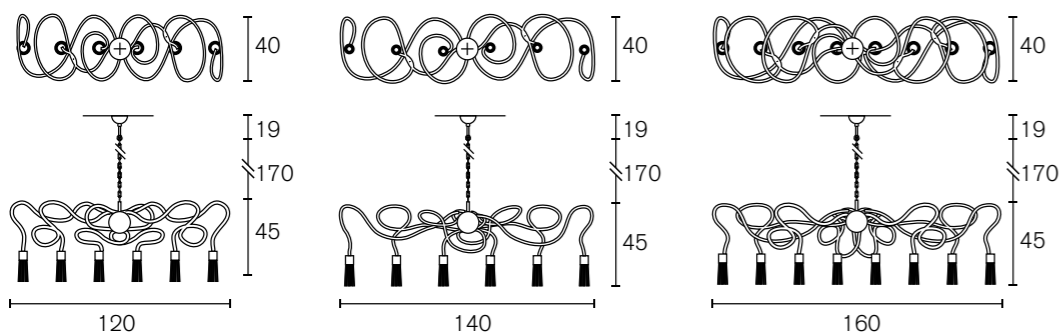
All chandeliers are supplied with 1,7 meter chain, 2 meter electrical cable and a ceiling shade.

Specifications are subject to change without prior notice.

Art.nr.	Dimensions	Light bulb	Weight	Finish
SOSC60N	Ø60xH.50 cm	8x E14	23,0 kg	nickel finish
SOSC60GSF	Ø60xH.50 cm	8x E14	23,0 kg	gold satin finish
SOSC80N	Ø80xH.55 cm	12x E14	30,0 kg	nickel finish
SOSC80GSF	Ø80xH.55 cm	12x E14	30,0 kg	gold satin finish
SOSC100N	Ø100xH.60 cm	14x E14	38,0 kg	nickel finish
SOSC100GSF	Ø100xH.60 cm	14x E14	38,0 kg	gold satin finish

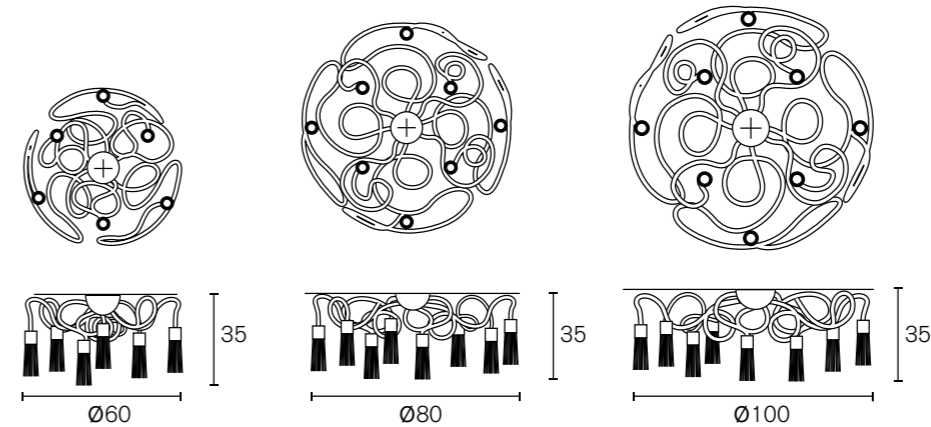


Art.nr.	Dimensions	Light bulb	Weight	Finish
SOSH120N	L.120xW.40xH.45 cm	6x E14	10,0 kg	nickel finish
SOSH120GSF	L.120xW.40xH.45 cm	6x E14	10,0 kg	gold satin finish
SOSH140N	L.140xW.40xH.45 cm	6x E14	15,0 kg	nickel finish
SOSH140GSF	L.140xW.40xH.45 cm	6x E14	15,0 kg	gold satin finish
SOSH160N	L.160xW.40xH.45 cm	8x E14	20,0 kg	nickel finish
SOSH160GSF	L.160xW.40xH.45 cm	8x E14	20,0 kg	gold satin finish

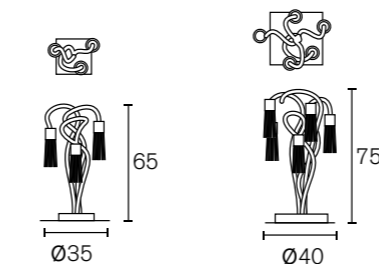


All chandeliers and hanging lamps are supplied with 1,7 meter chain, 2 meter electrical cable and a ceiling shade.
Specifications are subject to change without prior notice.

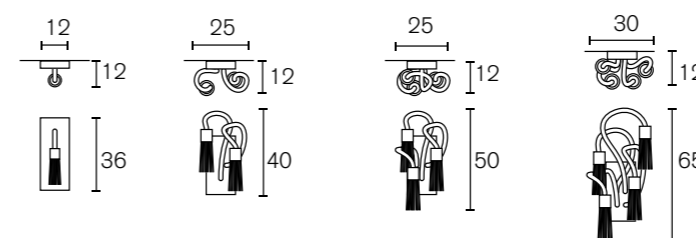
Art.nr.	Dimensions	Light bulb	Weight	Finish
SOSP60N	Ø60xH.35 cm	6x E14	10,0 kg	nickel finish
SOSP60GSF	Ø60xH.35 cm	6x E14	10,0 kg	gold satin finish
SOSP80N	Ø80xH.35 cm	8x E14	13,0 kg	nickel finish
SOSP80GSF	Ø80xH.35 cm	8x E14	13,0 kg	gold satin finish
SOSP100N	Ø100xH.35 cm	8x E14	18,0 kg	nickel finish
SOSP100GSF	Ø100xH.35 cm	8x E14	18,0 kg	gold satin finish



Art.nr.	Dimensions	Light bulb	Weight	Finish
SOST65N	Ø35xH.65 cm	3x E14	10,0 kg	nickel finish
SOST65GSF	Ø35xH.65 cm	3x E14	10,0 kg	gold satin finish
SOST75N	Ø40xH.75 cm	5x E14	12,0 kg	nickel finish
SOST75GSF	Ø40xH.75 cm	5x E14	12,0 kg	gold satin finish



Art.nr.	Dimensions	Light bulb	Weight	Finish
SOSW36N	W.12xH.36xD.12 cm	1x E14	3,5 kg	nickel finish
SOSW36GSF	W.12xH.36xD.12 cm	1x E14	3,5 kg	gold satin finish
SOSW40N	W.25xH.40xD.12 cm	2x E14	5,0 kg	nickel finish
SOSW40GSF	W.25xH.40xD.12 cm	2x E14	5,0 kg	gold satin finish
SOSW50N	W.25xH.50xD.12 cm	3x E14	11,0 kg	nickel finish
SOSW50GSF	W.25xH.50xD.12 cm	3x E14	11,0 kg	gold satin finish
SOSW65N	W.30xH.65xD.12 cm	4x E14	14,0 kg	nickel finish
SOSW65GSF	W.30xH.65xD.12 cm	4x E14	14,0 kg	gold satin finish



All table lamps are supplied with a dimmer.

Table and wall lamps will be applied with a protective nano wax if ordered in brass burnished or copper burnished finish.
Specifications are subject to change without prior notice.



100SOSST

Sultans Of Swing Elements with various curves
(Ø30xH.100 cm, stainless steel, 1 x E14, 2,0 kg)

Specifications are subject to change without prior notice.

Catalogue Edition 31

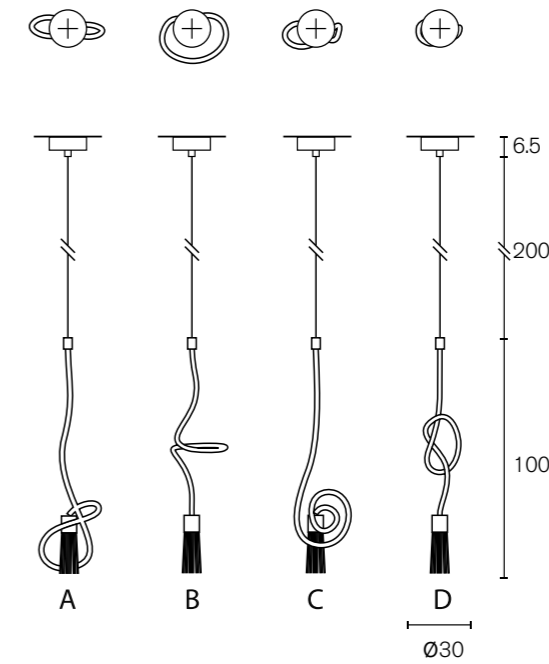
Collection Sultans Of Swing



Element

Collection Images page 184-185, 188-189, 358

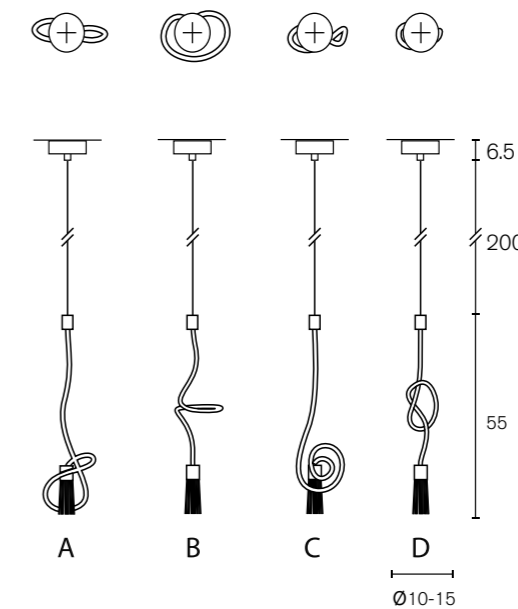
Art.nr.	Dimensions	Light bulb	Weight	Finish
100SOSST	Ø30xH.100 cm	1x E14	2,5 kg	stainless steel
100SOSGSF	Ø30xH.100 cm	1x E14	2,5 kg	gold satin finish



Element

Collection Images page 186-187

Art.nr.	Dimensions	Light bulb	Weight	Finish
55SOSST	Ø15xH.55 cm	1x E14	2,0 kg	stainless steel
55SOSGSF	Ø15xH.55 cm	1x E14	2,0 kg	gold satin finish



All elements are supplied with 3 meter electrical cable and a ceiling shade.
Specifications are subject to change without prior notice.

Catalogue Edition 31

Collection La Vie En Rose



COMPOSITION OF LA VIE EN ROSE

Example of a composition, all combinations possible.

Specifications are subject to change without prior notice.

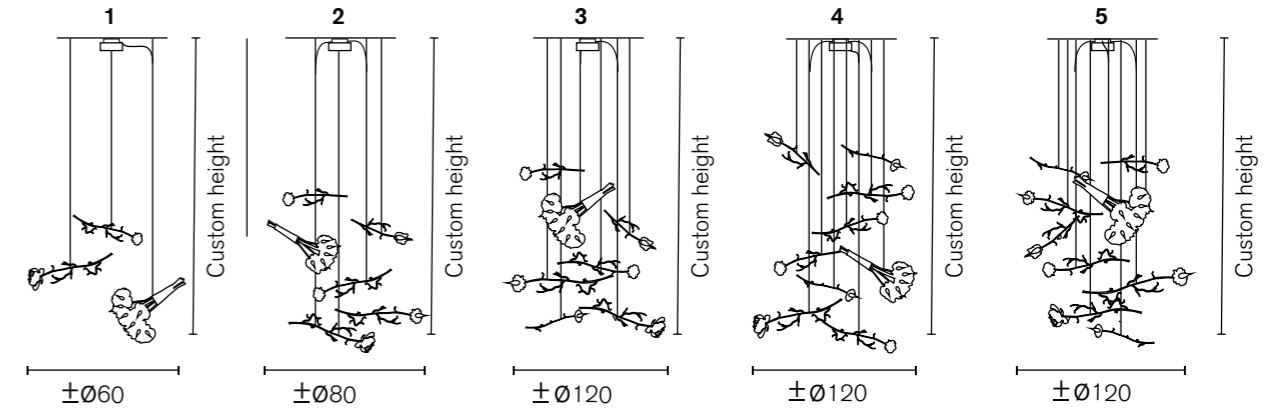
Collection La Vie En Rose



Collection Images page 190-193

A bouquet can be connected on its own with a ceiling cover or, when used as part of a composition, connected with a ceiling screw and attached with a electric cable to the central pot of the composition.
 The Single Rose Decorative can be connected to a ceiling as part of a composition. It can also be connected straight to the ceiling on its own using a ceiling screw.
 A Single Rose with Light can be connected to a central pot as part of a composition.
 On its own a Single Rose with Light can be connected with a ceiling cover.
 All combinations are possible, please get in touch with us to receive a customised proposal

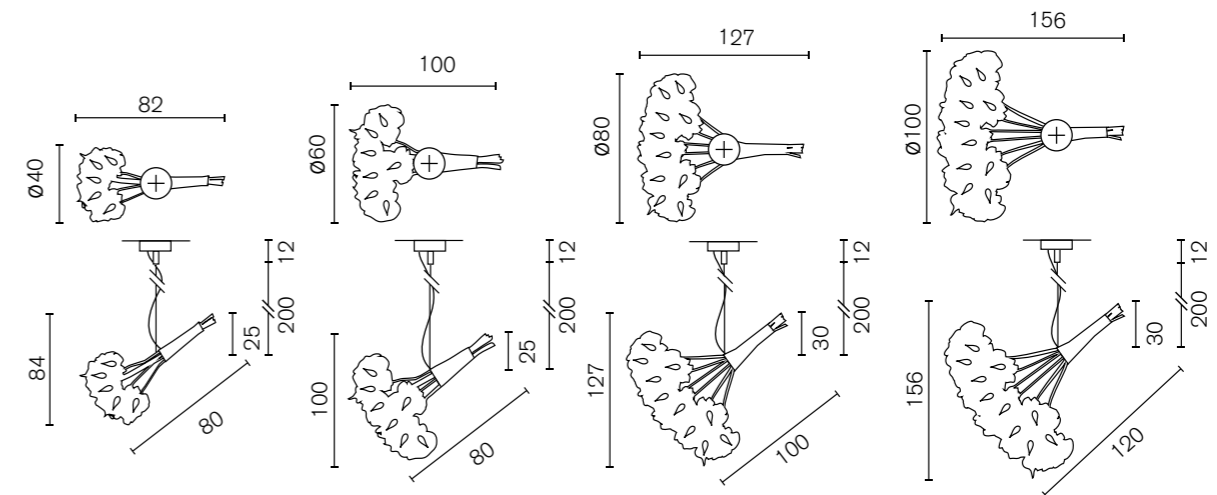
Optional Compositions with a central pot



Bouquet

Collection Images page 190-193

Art.nr.	Dimensions	Light bulb	Weight	Finish
VERHB40N	Ø40xL.80 cm	5x E14	10,0 kg	nickel finish
VERHB40GSF	Ø40xL.80 cm	5x E14	10,0 kg	gold satin finish
VERHB60N	Ø60xL.80 cm	7x E14	15,0 kg	nickel finish
VERHB60GSF	Ø60xL.80 cm	7x E14	15,0 kg	gold satin finish
VERHB80N	Ø80xL.100 cm	10x E14	22,0 kg	nickel finish
VERHB80GSF	Ø80xL.100 cm	10x E14	22,0 kg	gold satin finish
VERHB100N	Ø100xL.120 cm	12x E14	30,0 kg	nickel finish
VERHB100GSF	Ø100xL.120 cm	12x E14	30,0 kg	gold satin finish



All bouquets are supplied with 2 meter steel cable, 2 meter electrical cable and a ceiling shade.

Specifications are subject to change without prior notice.



VERHL120N

La Vie En Rose Hanging Lamp (L.120xW.40xH.40 cm, nickel finish, 8 x E14, 5,0 kg)

Specifications are subject to change without prior notice.

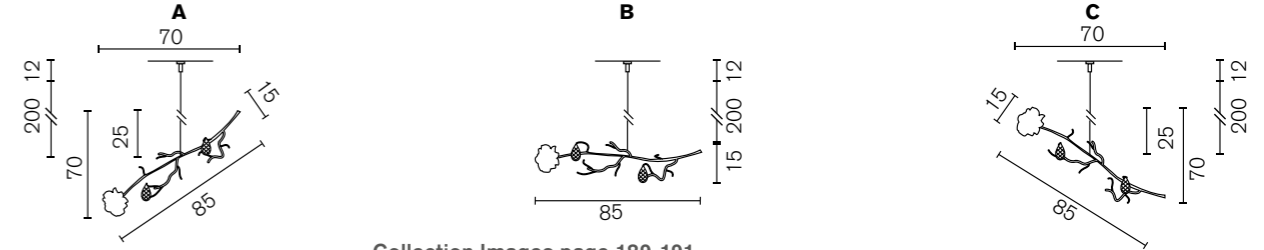
Collection La Vie En Rose



Single Decorative Rose

Collection Images page 190-193

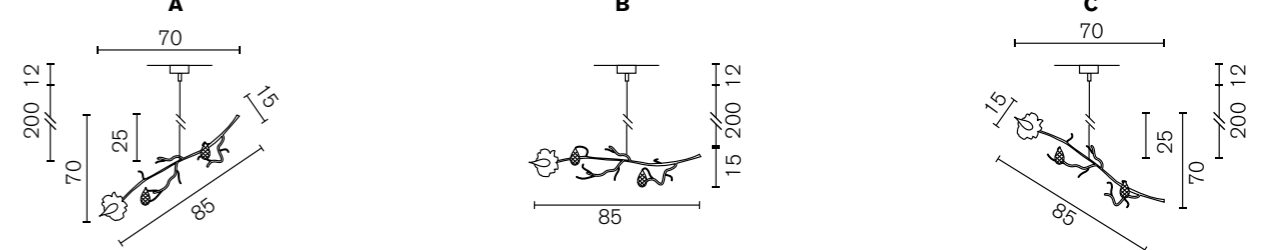
Art.nr.	Dimensions	Light bulb	Weight	Finish
VERSRD80N	L.85xW.20xH.20 cm		1,0 kg	nickel finish
VERSRD80GSF	L.85xW.20xH.20 cm		1,0 kg	gold satin finish



Single Light Rose

Collection Images page 189-191

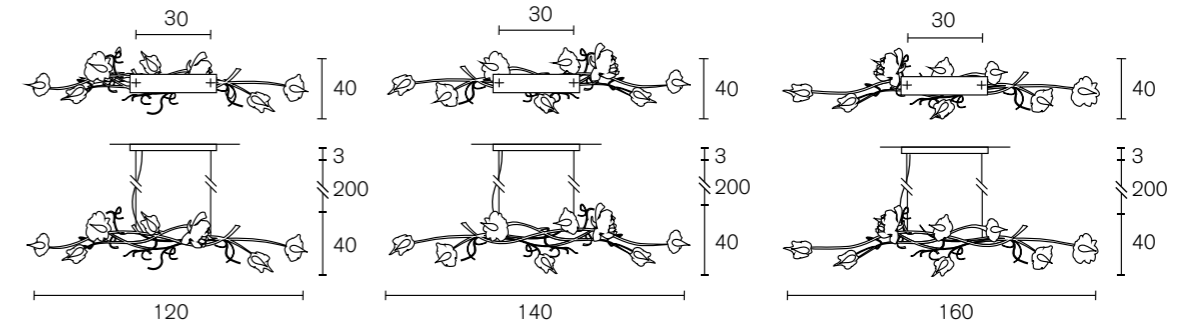
Art.nr.	Dimensions	Light bulb	Weight	Finish
VERSRL80N	L.85xW.15xH.15 cm	1x E14	1,0 kg	nickel finish
VERSRL80GSF	L.85xW.15xH.15 cm	1x E14	1,0 kg	gold satin finish



Hanging Lamp

Collection Images page 195, 362

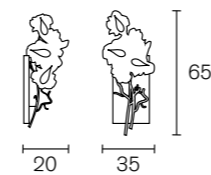
Art.nr.	Dimensions	Light bulb	Weight	Finish
VERHL120N	L.120xW.40xH.40 cm	8x E14	5,0 kg	nickel finish
VERHL120GSF	L.120xW.40xH.40 cm	8x E14	5,0 kg	gold satin finish
VERHL140N	L.140xW.40xH.40 cm	8x E14	8,5 kg	nickel finish
VERHL140GSF	L.140xW.40xH.40 cm	8x E14	8,5 kg	gold satin finish
VERHL160N	L.160xW.40xH.40 cm	10x E14	11,0 kg	nickel finish
VERHL160GSF	L.160xW.40xH.40 cm	10x E14	11,0 kg	gold satin finish



Wall Lamp

Collection Images page 195

Art.nr.	Dimensions	Light bulb	Weight	Finish
VERW35N	L.35xH.65x D.20 cm	3x E14	8,0 kg	nickel finish
VERW35GSF	L.35xH.65x D.20 cm	3x E14	8,0 kg	gold satin finish



All hanging lamps are supplied with 2 meter steel cable, 2 meter electrical cable and a ceiling shade.
 All Single Light Roses are standard delivered with 2 meter steel cable, 2 meter electrical cable and a ceiling shade.
 Decorative roses are standard delivered with 2 meter steel cable and have no electrical cable.
 Wall lamps will be applied with a protective nano wax if ordered in brass burnished or copper burnished finish.

Specifications are subject to change without prior notice.

Collection Love You Love You Not



LYC80GSF

Love You LoveYou Not Chandelier Round (Ø80xH.45 cm, gold satin finish, 12 x E14, 22,0 kg)

Specifications are subject to change without prior notice.

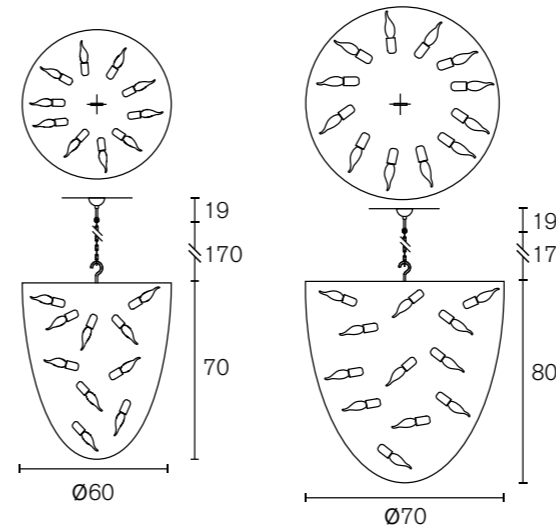
Collection Love You Love You Not



Chandelier Conical

Collection Images page 196-198

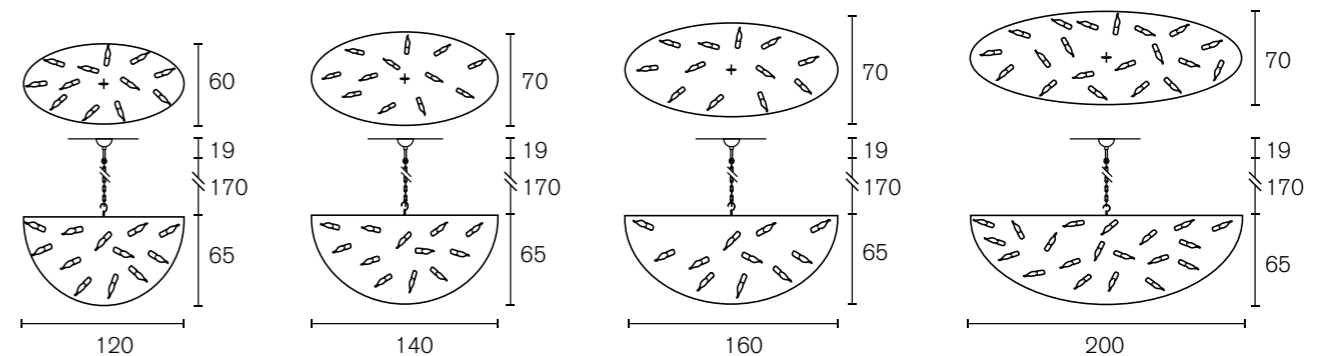
Art.nr.	Dimensions	Light bulb	Weight	Finish
LYCC60W	Ø60xH.70 cm	10x E14	22,0 kg	white finish
LYCC60N	Ø60xH.70 cm	10x E14	22,0 kg	nickel finish
LYCC60GSF	Ø60xH.70 cm	10x E14	22,0 kg	gold satin finish
LYCC70W	Ø70xH.80 cm	12x E14	28,0 kg	white finish
LYCC70N	Ø70xH.80 cm	12x E14	28,0 kg	nickel finish
LYCC70GSF	Ø70xH.80 cm	12x E14	28,0 kg	gold satin finish



Chandelier Oval

Collection Images page 199

Art.nr.	Dimensions	Light bulb	Weight	Finish
LYOC60W	L.120xW.60xH.65 cm	16x E14	25,0 kg	white finish
LYOC60N	L.120xW.60xH.65 cm	16x E14	25,0 kg	nickel finish
LYOC60GSF	L.120xW.60xH.65 cm	16x E14	25,0 kg	gold satin finish
LYOC70W	L.140xW.70xH.65 cm	16x E14	30,0 kg	white finish
LYOC70N	L.140xW.70xH.65 cm	16x E14	30,0 kg	nickel finish
LYOC70GSF	L.140xW.70xH.65 cm	16x E14	30,0 kg	gold satin finish
LYOC80W	L.160xW.70xH.65 cm	18x E14	41,0 kg	white finish
LYOC80N	L.160xW.70xH.65 cm	18x E14	41,0 kg	nickel finish
LYOC80GSF	L.160xW.70xH.65 cm	18x E14	41,0 kg	gold satin finish
LYOC100W	L.200xW.70xH.65 cm	24x E14	65,0 kg	white finish
LYOC100N	L.200xW.70xH.65 cm	24x E14	65,0 kg	nickel finish
LYOC100GSF	L.200xW.70xH.65 cm	24x E14	65,0 kg	gold satin finish

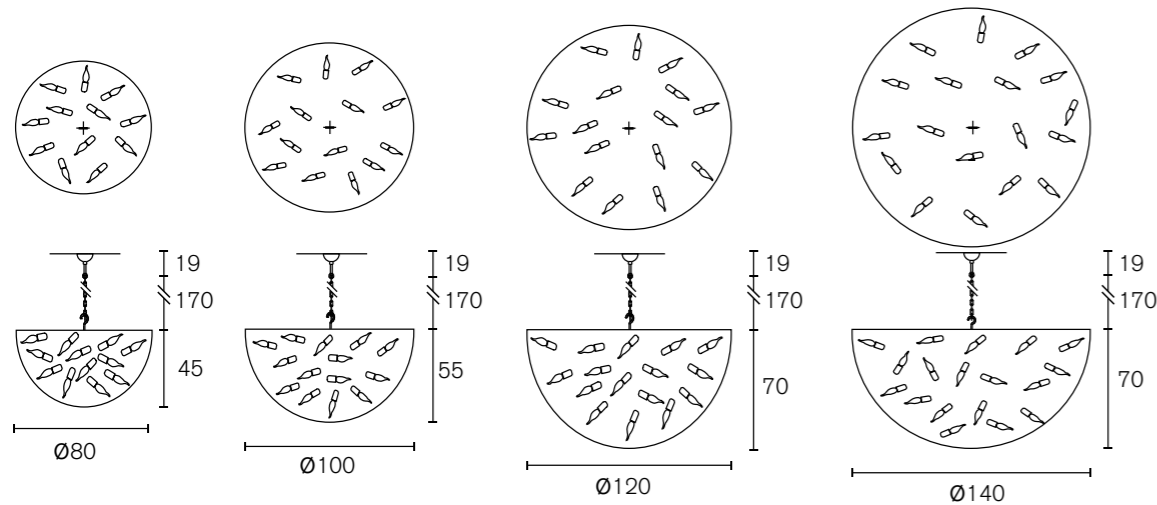


Due to our manual production method, amount and position of roses in Love You Love You Not Chandeliers may vary. Lights that will be combined in the same space should therefore be ordered at the same time. All chandeliers are supplied with 1,7 meter chain, 2 meter electrical cable and a ceiling shade.

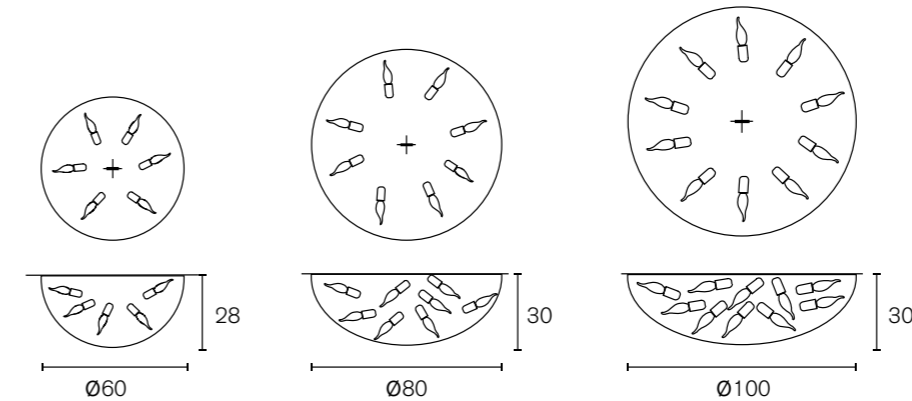
Specifications are subject to change without prior notice.



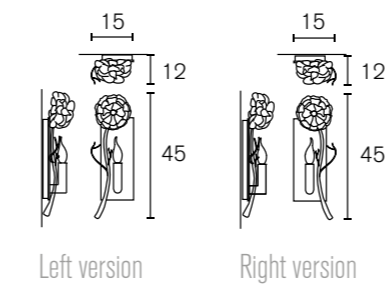
Art.nr.	Dimensions	Light bulb	Weight	Finish
LYC80W	Ø80xH.45 cm	12x E14	22,0 kg	white finish
LYC80N	Ø80xH.45 cm	12x E14	22,0 kg	nickel finish
LYC80GSF	Ø80xH.45 cm	12x E14	22,0 kg	gold satin finish
LYC100W	Ø100xH.55 cm	14x E14	35,0 kg	white finish
LYC100N	Ø100xH.55 cm	14x E14	35,0 kg	nickel finish
LYC100GSF	Ø100xH.55 cm	14x E14	35,0 kg	gold satin finish
LYC120W	Ø120xH.70 cm	16x E14	55,0 kg	white finish
LYC120N	Ø120xH.70 cm	16x E14	55,0 kg	nickel finish
LYC120GSF	Ø120xH.70 cm	16x E14	55,0 kg	gold satin finish
LYC140W	Ø140xH.70 cm	18x E14	60,0 kg	white finish
LYC140N	Ø140xH.70 cm	18x E14	60,0 kg	nickel finish
LYC140GSF	Ø140xH.70 cm	18x E14	60,0 kg	gold satin finish



Art.nr.	Dimensions	Light bulb	Weight	Finish
LYP60W	Ø60xH.28 cm	6x E14	8,0 kg	white finish
LYP60N	Ø60xH.28 cm	6x E14	8,0 kg	nickel finish
LYP60GSF	Ø60xH.28 cm	6x E14	8,0 kg	gold satin finish
LYP80W	Ø80xH.30 cm	8x E14	13,0 kg	white finish
LYP80N	Ø80xH.30 cm	8x E14	13,0 kg	nickel finish
LYP80GSF	Ø80xH.30 cm	8x E14	13,0 kg	gold satin finish
LYP100W	Ø100xH.30 cm	10x E14	20,0 kg	white finish
LYP100N	Ø100xH.30 cm	10x E14	20,0 kg	nickel finish
LYP100GSF	Ø100xH.30 cm	10x E14	20,0 kg	gold satin finish



Art.nr.	Dimensions	Light bulb	Weight	Finish
LYW45BL-L	W.15xH.45xD.12 cm	1x E14	3,5 kg	black finish, left version
LYW45BL-R	W.15xH.45xD.12 cm	1x E14	3,5 kg	black finish, right version
LYW45W-L	W.15xH.45xD.12 cm	1x E14	3,5 kg	white finish, left version
LYW45W-R	W.15xH.45xD.12 cm	1x E14	3,5 kg	white finish, right version
LYW45N-L	W.15xH.45xD.12 cm	1x E14	3,5 kg	nickel finish, left version
LYW45N-R	W.15xH.45xD.12 cm	1x E14	3,5 kg	nickel finish, right version
LYW45GSF-L	W.15xH.45xD.12 cm	1x E14	3,5 kg	gold satin finish, left version
LYW45GSF-R	W.15xH.45xD.12 cm	1x E14	3,5 kg	gold satin finish, right version



Due to our manual production method, amount and position of roses in Love You Love You Not Chandeliers may vary.

Lights that will be combined in the same space should therefore be ordered at the same time.

All chandeliers are supplied with 1,7 meter chain, 2 meter electrical cable and a ceiling shade.

Specifications are subject to change without prior notice.

Wall lamps will be applied with a protective nano wax if ordered in brass burnished or copper burnished finish.

Specifications are subject to change without prior notice.

Collection Flower Power

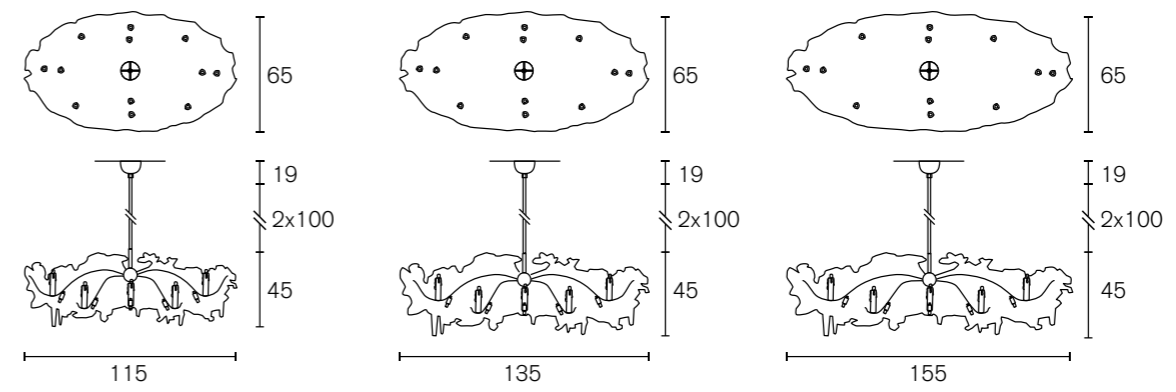
Collection Flower Power



Chandelier Oval

Collection Images page 207-209, 368

Art.nr.	Dimensions	Light bulb	Weight	Finish
FPHO115BL	L.115xW.65xH.45 cm	12x G9	28,0 kg	black finish
FPHO115W	L.115xW.65xH.45 cm	12x G9	28,0 kg	white finish
FPHO115N	L.115xW.65xH.45 cm	12x G9	28,0 kg	nickel finish
FPHO115GSF	L.115xW.65xH.45 cm	12x G9	28,0 kg	gold satin finish
FPHO135BL	L.135xW.65xH.45 cm	12x G9	35,0 kg	black finish
FPHO135W	L.135xW.65xH.45 cm	12x G9	35,0 kg	white finish
FPHO135N	L.135xW.65xH.45 cm	12x G9	35,0 kg	nickel finish
FPHO135GSF	L.135xW.65xH.45 cm	12x G9	35,0 kg	gold satin finish
FPHO155BL	L.155xW.65xH.45 cm	12x G9	40,0 kg	black finish
FPHO155W	L.155xW.65xH.45 cm	12x G9	40,0 kg	white finish
FPHO155N	L.155xW.65xH.45 cm	12x G9	40,0 kg	nickel finish
FPHO155GSF	L.155xW.65xH.45 cm	12x G9	40,0 kg	gold satin finish



FPHO155W

Flower Power Chandelier Oval (L.155xW.65xH.45 cm, white finish, 12 x G9, 40,0 kg)

Specifications are subject to change without prior notice.

All chandeliers are supplied with 2 meter stem and a ceiling shade..

Specifications are subject to change without prior notice.

Collection Icy Lady



ILCUSD100N

Icy Lady Chandelier Round Upside Down (Ø100xH.45 cm, nickel finish, 15 x G9, 36,0 kg)

Specifications are subject to change without prior notice.

Catalogue Edition 31

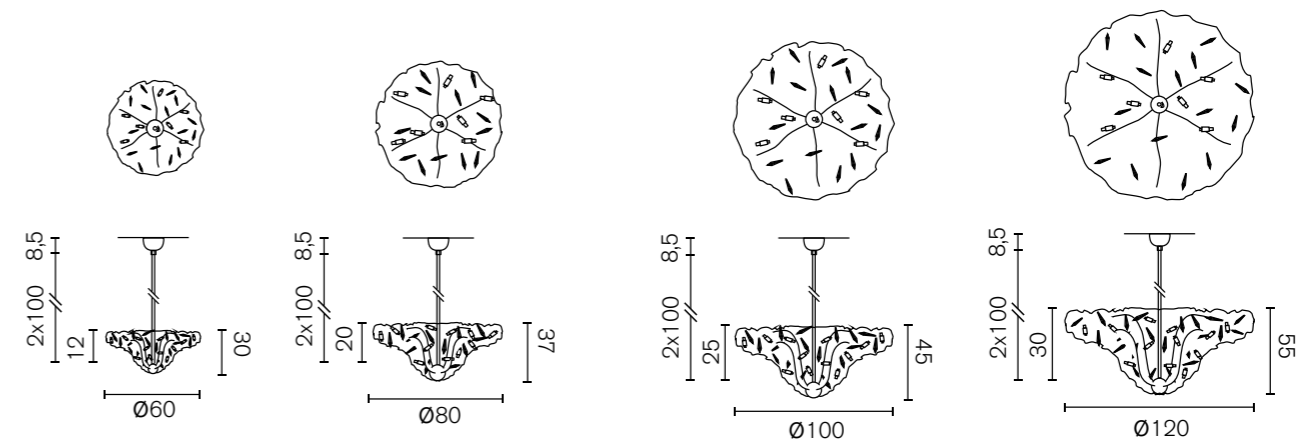
Collection Icy Lady



Chandelier Round Upside-Down

Collection Images page 212, 370

Art.nr.	Dimensions	Light bulb	Weight	Finish
ILCUSD60BL	Ø60xH.30 cm	10x G9	28,0 kg	black finish
ILCUSD60W	Ø60xH.30 cm	10x G9	28,0 kg	white finish
ILCUSD60N	Ø60xH.30 cm	10x G9	28,0 kg	nickel finish
ILCUSD60GSF	Ø60xH.30 cm	10x G9	28,0 kg	gold satin finish
ILCUSD80BL	Ø80xH.37 cm	12x G9	29,5 kg	black finish
ILCUSD80W	Ø80xH.37 cm	12x G9	29,5 kg	white finish
ILCUSD80N	Ø80xH.37 cm	12x G9	29,5 kg	nickel finish
ILCUSD80GSF	Ø80xH.37 cm	12x G9	29,5 kg	gold satin finish
ILCUSD100BL	Ø100xH.45 cm	15x G9	36,0 kg	black finish
ILCUSD100W	Ø100xH.45 cm	15x G9	36,0 kg	white finish
ILCUSD100N	Ø100xH.45 cm	15x G9	36,0 kg	nickel finish
ILCUSD100GSF	Ø100xH.45 cm	15x G9	36,0 kg	gold satin finish
ILCUSD120BL	Ø120xH.55 cm	18x G9	46,0 kg	black finish
ILCUSD120W	Ø120xH.55 cm	18x G9	46,0 kg	white finish
ILCUSD120N	Ø120xH.55 cm	18x G9	46,0 kg	nickel finish
ILCUSD120GSF	Ø120xH.55 cm	18x G9	46,0 kg	gold satin finish



All chandeliers are supplied with 2 meter stem and a ceiling shade. All crystals are original Swarovski crystals.

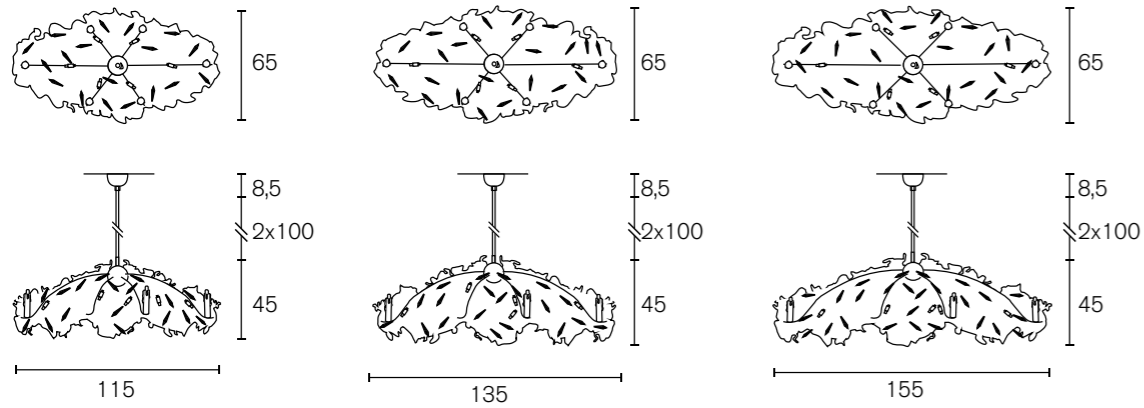
Specifications are subject to change without prior notice.

Catalogue Edition 31

Chandelier Oval



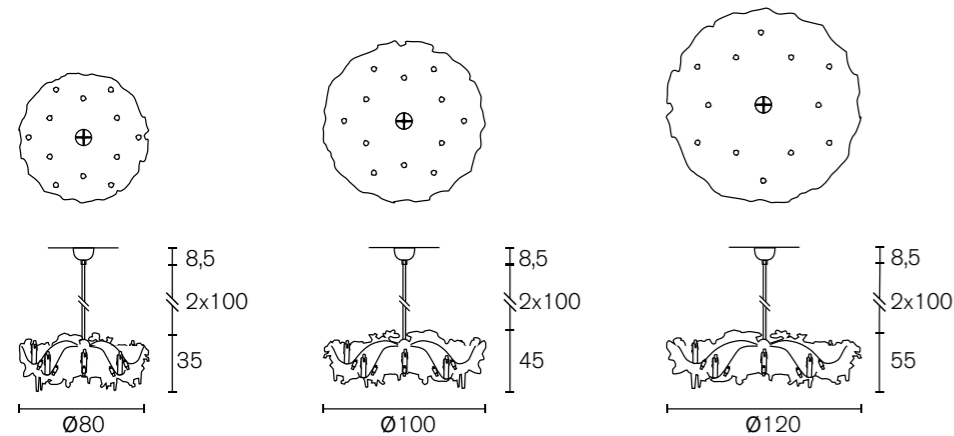
Art.nr.	Dimensions	Light bulb	Weight	Finish
ILCO115BL	L.115xW.65xH.45 cm	12x G9	27,0 kg	black finish
ILCO115W	L.115xW.65xH.45 cm	12x G9	27,0 kg	white finish
ILCO115N	L.115xW.65xH.45 cm	12x G9	27,0 kg	nickel finish
ILCO115GSF	L.115xW.65xH.45 cm	12x G9	27,0 kg	gold satin finish
ILCO135BL	L.135xW.65xH.45 cm	12x G9	30,0 kg	black finish
ILCO135W	L.135xW.65xH.45 cm	12x G9	30,0 kg	white finish
ILCO135N	L.135xW.65xH.45 cm	12x G9	30,0 kg	nickel finish
ILCO135GSF	L.135xW.65xH.45 cm	12x G9	30,0 kg	gold satin finish
ILCO155BL	L.155xW.65xH.45 cm	12x G9	40,0 kg	black finish
ILCO155W	L.155xW.65xH.45 cm	12x G9	40,0 kg	white finish
ILCO155N	L.155xW.65xH.45 cm	12x G9	40,0 kg	nickel finish
ILCO155GSF	L.155xW.65xH.45 cm	12x G9	40,0 kg	gold satin finish



Hanging Lamp Round

Collection Images page 211-212

Art.nr.	Dimensions	Light bulb	Weight	Finish
ILC80BL	Ø80xH.35 cm	12x G9	23,0 kg	black finish
ILC80W	Ø80xH.35 cm	12x G9	23,0 kg	white finish
ILC80N	Ø80xH.35 cm	12x G9	23,0 kg	nickel finish
ILC80GSF	Ø80xH.35 cm	12x G9	23,0 kg	gold satin finish
ILC100BL	Ø100xH.45 cm	12x G9	34,0 kg	black finish
ILC100W	Ø100xH.45 cm	12x G9	34,0 kg	white finish
ILC100N	Ø100xH.45 cm	12x G9	34,0 kg	nickel finish
ILC100GSF	Ø100xH.45 cm	12x G9	34,0 kg	gold satin finish
ILC120BL	Ø120xH.55 cm	12x G9	52,0 kg	black finish
ILC120W	Ø120xH.55 cm	12x G9	52,0 kg	white finish
ILC120N	Ø120xH.55 cm	12x G9	52,0 kg	nickel finish
ILC120GSF	Ø120xH.55 cm	12x G9	52,0 kg	gold satin finish



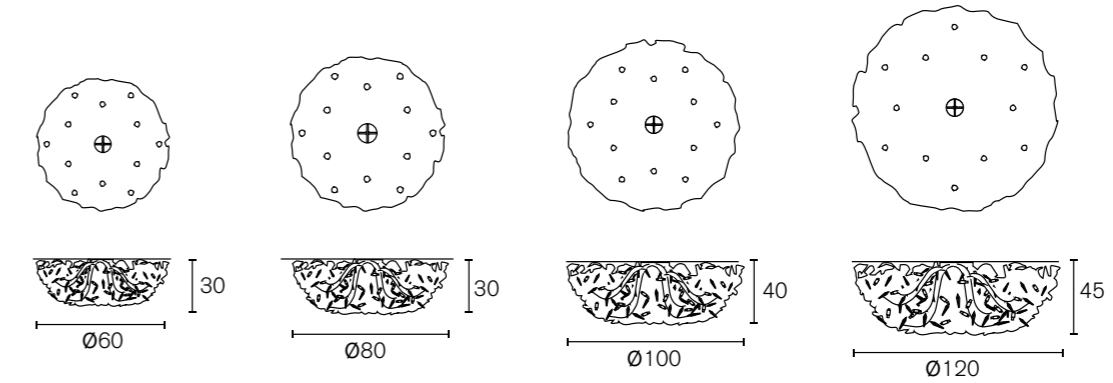
All chandeliers and hanging lamps are supplied with 2 meter stem and a ceiling shade.
All crystals are original Swarovski crystals.
Specifications are subject to change without prior notice.

Ceiling Lamp Round



Collection Images page 214

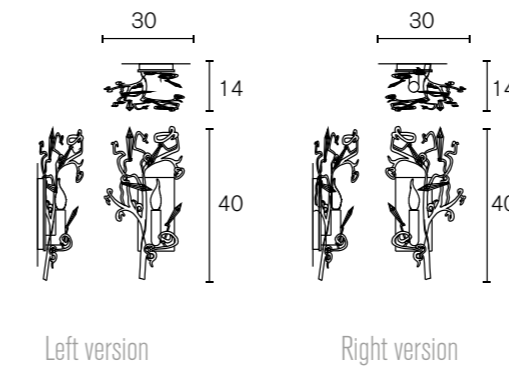
Art.nr.	Dimensions	Light bulb	Weight	Finish
ILP60BL	Ø60xH.30 cm	10x G9	13,0 kg	black finish
ILP60W	Ø60xH.30 cm	10x G9	13,0 kg	white finish
ILP60N	Ø60xH.30 cm	10x G9	13,0 kg	nickel finish
ILP60GSF	Ø60xH.30 cm	10x G9	13,0 kg	gold satin finish
ILP80BL	Ø80xH.30 cm	12x G9	18,0 kg	black finish
ILP80W	Ø80xH.30 cm	12x G9	18,0 kg	white finish
ILP80N	Ø80xH.30 cm	12x G9	18,0 kg	nickel finish
ILP80GSF	Ø80xH.30 cm	12x G9	18,0 kg	gold satin finish
ILP100BL	Ø100xH.40 cm	12x G9	26,0 kg	black finish
ILP100W	Ø100xH.40 cm	12x G9	26,0 kg	white finish
ILP100N	Ø100xH.40 cm	12x G9	26,0 kg	nickel finish
ILP100GSF	Ø100xH.40 cm	12x G9	26,0 kg	gold satin finish
ILP120BL	Ø120xH.45 cm	15x G9	35,0 kg	black finish
ILP120W	Ø120xH.45 cm	15x G9	35,0 kg	white finish
ILP120N	Ø120xH.45 cm	15x G9	35,0 kg	nickel finish
ILP120GSF	Ø120xH.45 cm	15x G9	35,0 kg	gold satin finish



Wall Lamp

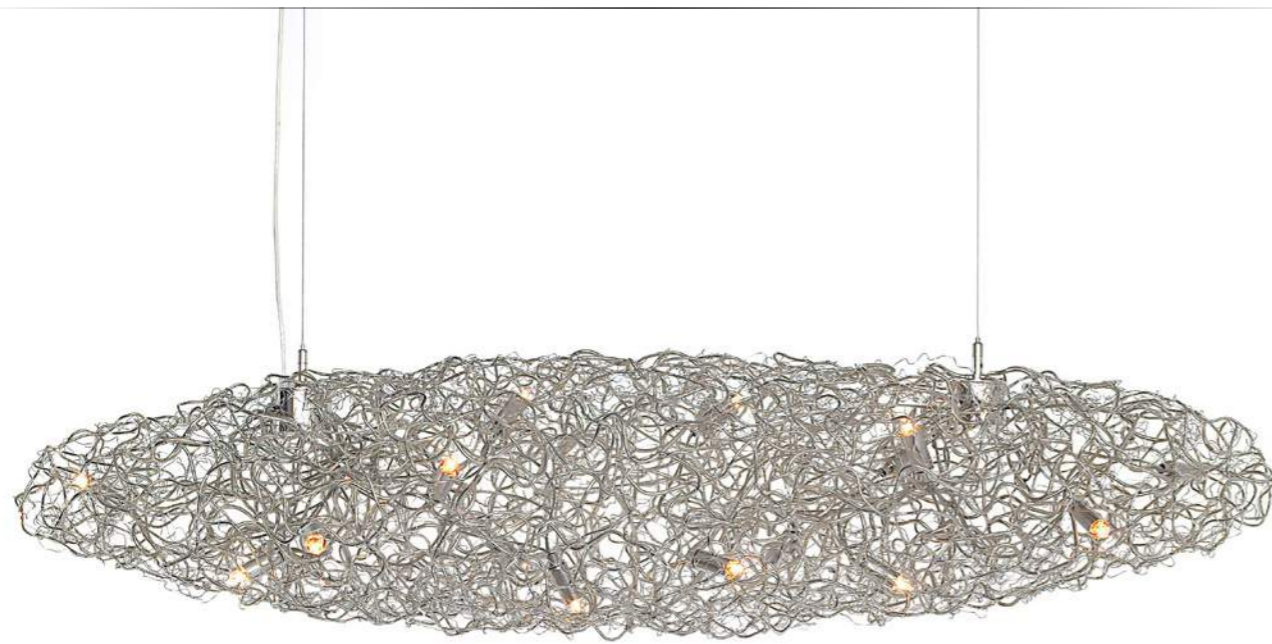
Collection Images page 215

Art.nr.	Dimensions	Light bulb	Weight	Finish
ILW30BL-L	W.30xH.40xD.14 cm	1x E14	3,0 kg	black finish, left version
ILW30BL-R	W.30xH.40xD.14 cm	1x E14	3,0 kg	black finish, right version
ILW30W-L	W.30xH.40xD.14 cm	1x E14	3,0 kg	white finish, left version
ILW30W-R	W.30xH.40xD.14 cm	1x E14	3,0 kg	white finish, right version
ILW30N-L	W.30xH.40xD.14 cm	1x E14	3,0 kg	nickel finish, left version
ILW30N-R	W.30xH.40xD.14 cm	1x E14	3,0 kg	nickel finish, right version
ILW30GSF-L	W.30xH.40xD.14 cm	1x E14	3,0 kg	gold satin finish, left version
ILW30GSF-R	W.30xH.40xD.14 cm	1x E14	3,0 kg	gold satin finish, right version



All crystals are original Swarovski crystals.
Wall lamps will be applied with a protective nano wax if ordered in brass burnished or copper burnished finish.
Specifications are subject to change without prior notice.

Collection Crystal Waters



CWS130NH

Crystal Waters Hanging Lamp Cigar (L.130xW.50xH.30 cm, nickel finish, 16x G9, 8,0 kg)

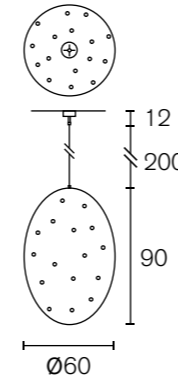
Specifications are subject to change without prior notice.

Collection Crystal Waters



Hanging Lamp

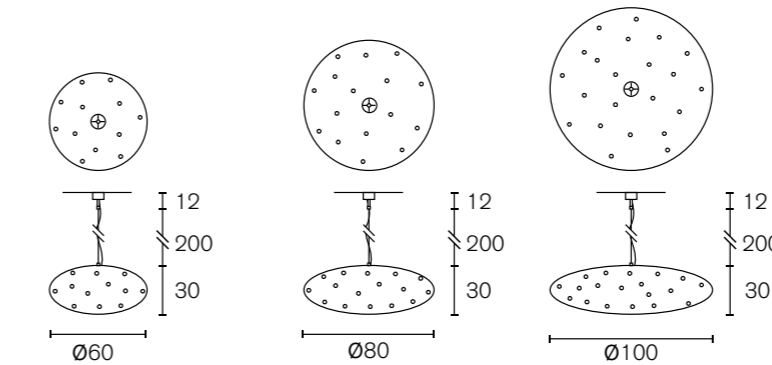
Art.nr.	Dimensions	Light bulb	Weight	Finish
CWH60NH	Ø60xH.90 cm	16x G9	12,0 kg	nickel finish
CWH60GSFH	Ø60xH.90 cm	16x G9	12,0 kg	gold satin finish



Hanging Lamp Ufo

Collection Images page 219

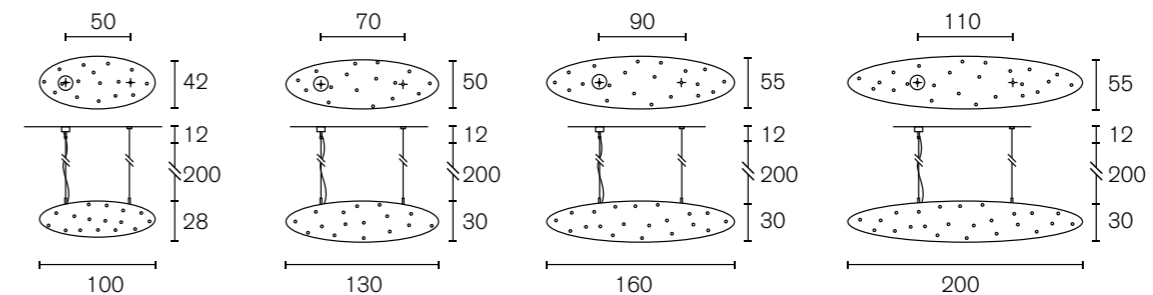
Art.nr.	Dimensions	Light bulb	Weight	Finish
CWH59NH	Ø60xH.30 cm	12x G9	7,0 kg	nickel finish
CWH59GSFH	Ø60xH.30 cm	12x G9	7,0 kg	gold satin finish
CWH80NH	Ø80xH.30 cm	16x G9	10,0 kg	nickel finish
CWH80GSFH	Ø80xH.30 cm	16x G9	10,0 kg	gold satin finish
CWH100NH	Ø100xH.30 cm	20x G9	13,0 kg	nickel finish
CWH100GSFH	Ø100xH.30 cm	20x G9	13,0 kg	gold satin finish



Hanging Lamp Cigar

Collection Images page 216-218, 374, 377

Art.nr.	Dimensions	Light bulb	Weight	Finish
CWS100NH	L.100xW.42xH.28 cm	12x G9	6,0 kg	nickel finish
CWS100GSFH	L.100xW.42xH.28 cm	12x G9	6,0 kg	gold satin finish
CWS130NH	L.130xW.50xH.30 cm	16x G9	8,0 kg	nickel finish
CWS130GSFH	L.130xW.50xH.30 cm	16x G9	8,0 kg	gold satin finish
CWS160NH	L.160xW.55xH.30 cm	22x G9	12,0 kg	nickel finish
CWS160GSFH	L.160xW.55xH.30 cm	22x G9	12,0 kg	gold satin finish
CWS200NH	L.200xW.55xH.30 cm	26x G9	15,0 kg	nickel finish
CWS200GSFH	L.200xW.55xH.30 cm	26x G9	15,0 kg	gold satin finish



All hanging lamps are supplied with 2 meter steel cable, 2 meter electrical cable and a ceiling shade.

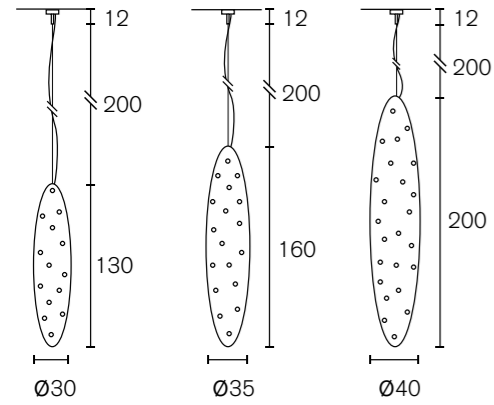
Specifications are subject to change without prior notice.



Hanging Lamp Drop

Collection Images page 222-223

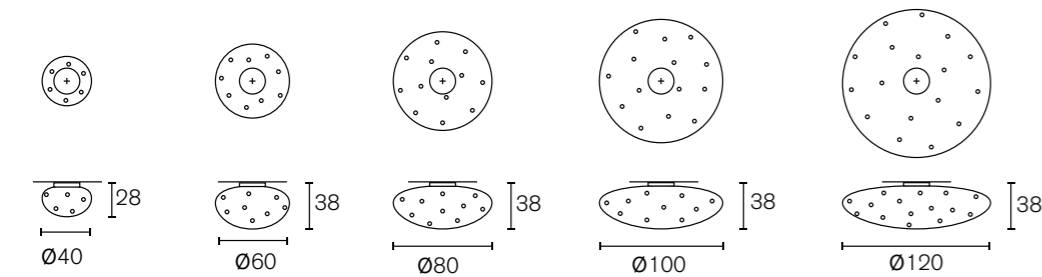
Art.nr.	Dimensions	Light bulb	Weight	Finish
CWH130NH	Ø30xH.130 cm	14x G9	9,0 kg	nickel finish
CWH130GSFH	Ø30xH.130 cm	14x G9	9,0 kg	gold satin finish
CWH160NH	Ø35xH.160 cm	18x G9	11,0 kg	nickel finish
CWH160GSFH	Ø35xH.160 cm	18x G9	11,0 kg	gold satin finish
CWH200NH	Ø40xH.200 cm	24x G9	15,0 kg	nickel finish
CWH200GSFH	Ø40xH.200 cm	24x G9	15,0 kg	gold satin finish



Ceiling Lamp Round

Collection Images page 220

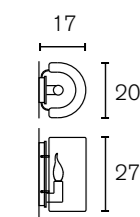
Art.nr.	Dimensions	Light bulb	Weight	Finish
CWP40NH	Ø40xH.28 cm	7x G9	4,0 kg	nickel finish
CWP40GSFH	Ø40xH.28 cm	7x G9	4,0 kg	gold satin finish
CWP60NH	Ø60xH.38 cm	10x G9	5,0 kg	nickel finish
CWP60GSFH	Ø60xH.38 cm	10x G9	5,0 kg	gold satin finish
CWP80NH	Ø80xH.38 cm	13x G9	10,0 kg	nickel finish
CWP80GSFH	Ø80xH.38 cm	13x G9	10,0 kg	gold satin finish
CWP100NH	Ø100xH.38 cm	16x G9	12,0 kg	nickel finish
CWP100GSFH	Ø100xH.38 cm	16x G9	12,0 kg	gold satin finish
CWP120NH	Ø120xH.38 cm	17x G9	16,0 kg	nickel finish
CWP120GSFH	Ø120xH.38 cm	17x G9	16,0 kg	gold satin finish



Wall Lamp

Collection Images page 221

Art.nr.	Dimensions	Light bulb	Weight	Finish
150CW1N	W.20xH.27xD.17 cm	1x E14	3,0 kg	nickel finish
150CW1GSF	W.20xH.27xD.17 cm	1x E14	3,0 kg	gold satin finish



All hanging lamps are supplied with 2 meter steel cable, 2 meter electrical cable and a ceiling shade.
Wall lamps will be applied with a protective nano wax if ordered in brass burnished or copper burnished finish.
Specifications are subject to change without prior notice.



Detail of Crystal Waters Hanging Lamp Cigar

Specifications are subject to change without prior notice.

Collection Delphinium



DC100N

Delphinium Chandelier Round (Ø100xH.55 cm nickel finish, 12 x E14, 27,0 kg)

Specifications are subject to change without prior notice.

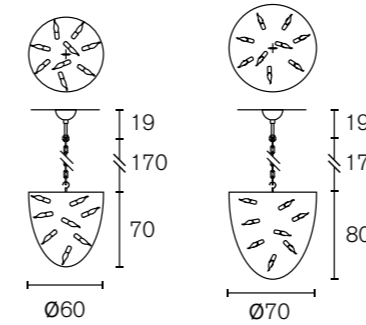
Collection Delphinium



Chandelier Conical

Collection Images page 225

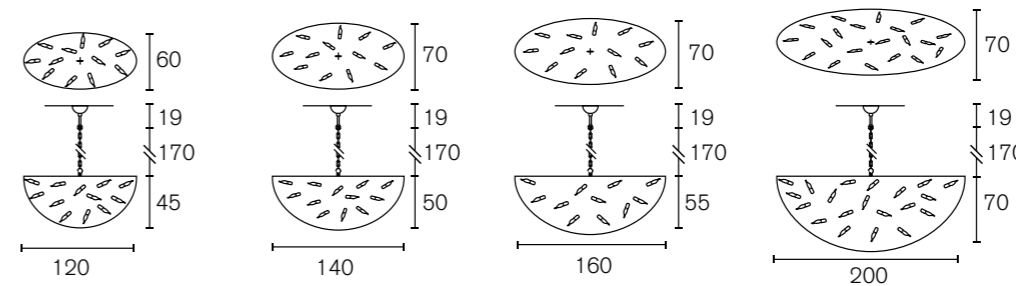
Art.nr.	Dimensions	Light bulb	Weight	Finish
DCC60BLM	Ø60xH.70 cm	8x E14	20,0 kg	black matt finish
DCC60N	Ø60xH.70 cm	8x E14	20,0 kg	nickel finish
DCC60GSF	Ø60xH.70 cm	8x E14	20,0 kg	gold satin finish
DCC70BLM	Ø70xH.80 cm	10x E14	25,0 kg	black matt finish
DCC70N	Ø70xH.80 cm	10x E14	25,0 kg	nickel finish
DCC70GSF	Ø70xH.80 cm	10x E14	25,0 kg	gold satin finish



Chandelier Oval

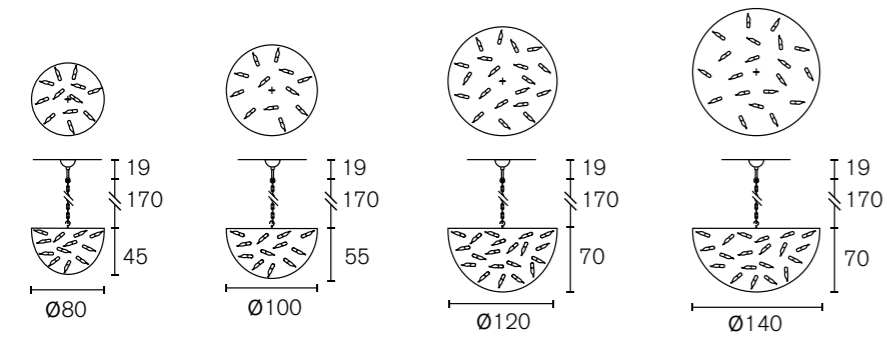
Collection Images page 226

Art.nr.	Dimensions	Light bulb	Weight	Finish
DOC60BLM	L.120xW.60xH.45 cm	12x E14	27,0 kg	black matt finish
DOC60N	L.120xW.60xH.45 cm	12x E14	27,0 kg	nickel finish
DOC60GSF	L.120xW.60xH.45 cm	12x E14	27,0 kg	gold satin finish
DOC70BLM	L.140xW.70xH.50 cm	12x E14	30,0 kg	black matt finish
DOC70N	L.140xW.70xH.50 cm	12x E14	30,0 kg	nickel finish
DOC70GSF	L.140xW.70xH.50 cm	12x E14	30,0 kg	gold satin finish
DOC80BLM	L.160xW.70xH.55 cm	16x E14	40,0 kg	black matt finish
DOC80N	L.160xW.70xH.55 cm	16x E14	40,0 kg	nickel finish
DOC80GSF	L.160xW.70xH.55 cm	16x E14	40,0 kg	gold satin finish
DOC100BLM	L.200xW.70xH.70 cm	20x E14	58,0 kg	black matt finish
DOC100N	L.200xW.70xH.70 cm	20x E14	58,0 kg	nickel finish
DOC100GSF	L.200xW.70xH.70 cm	20x E14	58,0 kg	gold satin finish

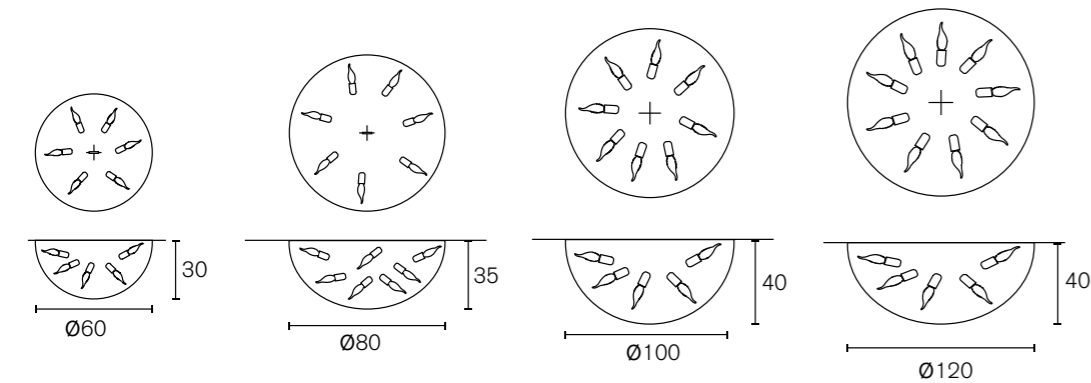


All chandeliers are supplied with 1,7 meter chain, 2 meter electrical cable and a ceiling shade.
Specifications are subject to change without prior notice.

Art.nr.	Dimensions	Light bulb	Weight	Finish
DC80BLM	Ø80xH.45 cm	10x E14	21,0 kg	black matt finish
DC80N	Ø80xH.45 cm	10x E14	21,0 kg	nickel finish
DC80GSF	Ø80xH.45 cm	10x E14	21,0 kg	gold satin finish
DC100BLM	Ø100xH.55 cm	12x E14	27,0 kg	black matt finish
DC100N	Ø100xH.55 cm	12x E14	27,0 kg	nickel finish
DC100GSF	Ø100xH.55 cm	12x E14	27,0 kg	gold satin finish
DC120BLM	Ø120xH.70 cm	16x E14	35,0 kg	black matt finish
DC120N	Ø120xH.70 cm	16x E14	35,0 kg	nickel finish
DC120GSF	Ø120xH.70 cm	16x E14	35,0 kg	gold satin finish
DC140BLM	Ø140xH.70 cm	20x E14	67,0 kg	black matt finish
DC140N	Ø140xH.70 cm	20x E14	67,0 kg	nickel finish
DC140GSF	Ø140xH.70 cm	20x E14	67,0 kg	gold satin finish



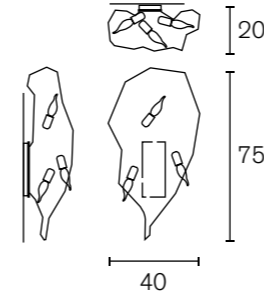
Art.nr.	Dimensions	Light bulb	Weight	Finish
DP60BLM	Ø60xH.30 cm	5x E14	11,0 kg	black matt finish
DP60N	Ø60xH.30 cm	5x E14	11,0 kg	nickel finish
DP60GSF	Ø60xH.30 cm	5x E14	11,0 kg	gold satin finish
DP80BLM	Ø80xH.35 cm	6x E14	17,0 kg	black matt finish
DP80N	Ø80xH.35 cm	6x E14	17,0 kg	nickel finish
DP80GSF	Ø80xH.35 cm	6x E14	17,0 kg	gold satin finish
DP100BLM	Ø100xH.40 cm	8x E14	26,0 kg	black matt finish
DP100N	Ø100xH.40 cm	8x E14	26,0 kg	nickel finish
DP100GSF	Ø100xH.40 cm	8x E14	26,0 kg	gold satin finish
DP120BLM	Ø120xH.40 cm	10x E14	40,0 kg	black matt finish
DP120N	Ø120xH.40 cm	10x E14	40,0 kg	nickel finish
DP120GSF	Ø120xH.40 cm	10x E14	40,0 kg	gold satin finish



All chandeliers are supplied with 1,7 meter chain, 2 meter electrical cable and a ceiling shade.

Specifications are subject to change without prior notice.

Art.nr.	Dimensions	Light bulb	Weight	Finish
DW35BLM	W.40xH.75xD.20 cm	3x E14	7,0 kg	black matt finish
DW35N	W.40xH.75xD.20 cm	3x E14	7,0 kg	nickel finish
DW35GSF	W.40xH.75xD.20 cm	3x E14	7,0 kg	gold satin finish



Wall lamps will be applied with a protective nano wax if ordered in brass burnished or copper burnished finish.

Specifications are subject to change without prior notice.

Collection Hollywood



HCC90N

Hollywood Chandelier Conical (Ø90xH.130 cm, nickel finish, 16x E14, 27,0 kg)

Any size as customised object possible

Specifications are subject to change without prior notice.

Catalogue Edition 31

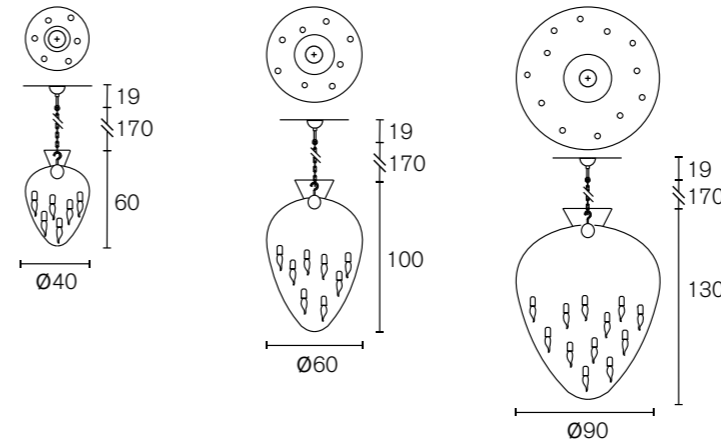
Collection Hollywood



Chandelier Conical

Collection Images page 233-236

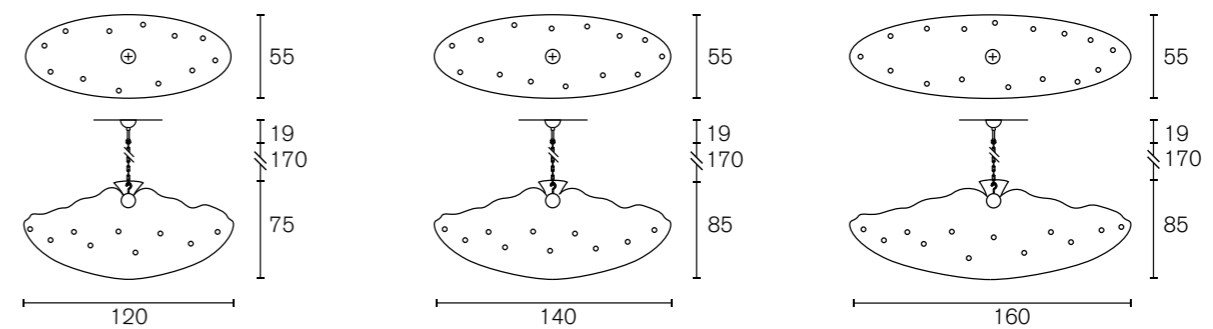
Art.nr.	Dimensions	Light bulb	Weight	Finish
HCC40W	Ø40xH.60 cm	6x E14	6,0 kg	white finish
HCC40N	Ø40xH.60 cm	6x E14	6,0 kg	nickel finish
HCC40GSF	Ø40xH.60 cm	6x E14	6,0 kg	gold satin finish
HCC60W	Ø60xH.100 cm	8x E14	16,0 kg	white finish
HCC60N	Ø60xH.100 cm	8x E14	16,0 kg	nickel finish
HCC60GSF	Ø60xH.100 cm	8x E14	16,0 kg <td gold satin finish	
HCC90W	Ø90xH.130 cm	16x E14	27,0 kg	white finish
HCC90N	Ø90xH.130 cm	16x E14	27,0 kg	nickel finish
HCC90GSF	Ø90xH.130 cm	16x E14	27,0 kg	gold satin finish



Chandelier Conical Oval

Collection Images page 237

Art.nr.	Dimensions	Light bulb	Weight	Finish
HCCO120W	L.120xW.55xH.75 cm	12x E14	23,0 kg	white finish
HCCO120N	L.120xW.55xH.75 cm	12x E14	23,0 kg	nickel finish
HCCO120GSF	L.120xW.55xH.75 cm	12x E14	23,0 kg	gold satin finish
HCCO140W	L.140xW.55xH.85 cm	14x E14	26,0 kg	white finish
HCCO140N	L.140xW.55xH.85 cm	14x E14	26,0 kg	nickel finish
HCCO140GSF	L.140xW.55xH.85 cm	14x E14	26,0 kg	gold satin finish
HCCO160W	L.160xW.55xH.85 cm	14x E14	30,0 kg	white finish
HCCO160N	L.160xW.55xH.85 cm	14x E14	30,0 kg	nickel finish
HCCO160GSF	L.160xW.55xH.85 cm	14x E14	30,0 kg	gold satin finish



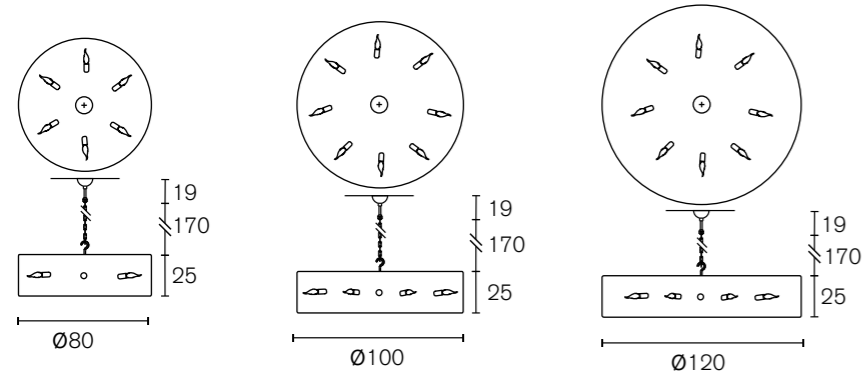
Due to our manual production method, shape and structure in Hollywood Chandeliers may vary. Lights that will be combined in the same space should therefore be ordered at the same time.

All chandeliers are supplied with 1,7 meter chain, 2 meter electrical cable and a ceiling shade.

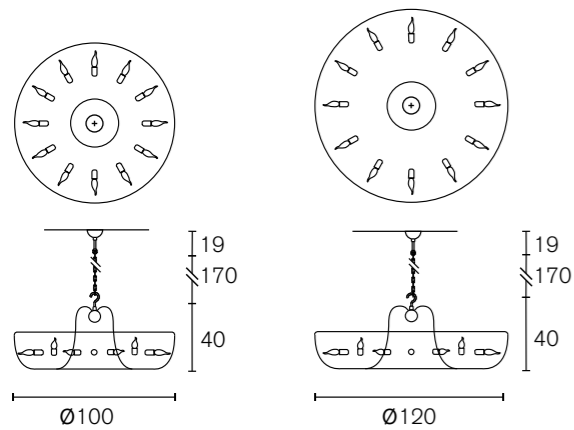
Specifications are subject to change without prior notice.

Catalogue Edition 31

Art.nr.	Dimensions	Light bulb	Weight	Finish
HC80W	Ø80xH.25 cm	6x E14	11,0 kg	white finish
HC80N	Ø80xH.25 cm	6x E14	11,0 kg	nickel finish
HC80GSF	Ø80xH.25 cm	6x E14	11,0 kg	gold satin finish
HC100W	Ø100xH.25 cm	8x E14	25,0 kg	white finish
HC100N	Ø100xH.25 cm	8x E14	25,0 kg	nickel finish
HC100GSF	Ø100xH.25 cm	8x E14	25,0 kg	gold satin finish
HC120W	Ø120xH.25 cm	10x E14	28,0 kg	white finish
HC120N	Ø120xH.25 cm	10x E14	28,0 kg	nickel finish
HC120GSF	Ø120xH.25 cm	10x E14	28,0 kg	gold satin finish



Art.nr.	Dimensions	Light bulb	Weight	Finish
HCCH10X10W	Ø100xH.40 cm	12x E14	21,0 kg	white finish
HCCH10X10N	Ø100xH.40 cm	12x E14	21,0 kg	nickel finish
HCCH10X10GSF	Ø100xH.40 cm	12x E14	21,0 kg	gold satin finish
HCCH12X12W	Ø120xH.40 cm	12x E14	25,0 kg	white finish
HCCH12X12N	Ø120xH.40 cm	12x E14	25,0 kg	nickel finish
HCCH12X12GSF	Ø120xH.40 cm	12x E14	25,0 kg	gold satin finish

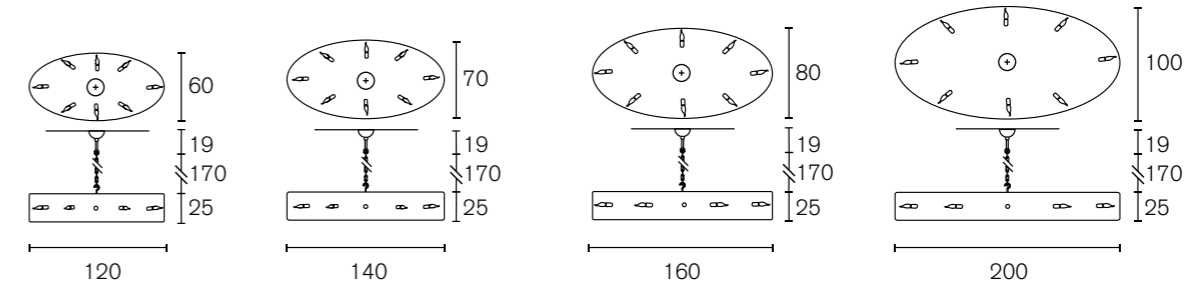


Due to our manual production method, shape and structure in Hollywood Chandeliers may vary. Lights that will be combined in the same space should therefore be ordered at the same time.

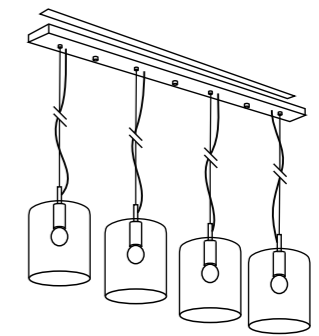
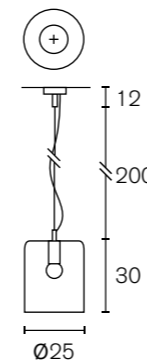
All chandeliers are supplied with 1,7 meter chain, 2 meter electrical cable and a ceiling shade.

Specifications are subject to change without prior notice.

Art.nr.	Dimensions	Light bulb	Weight	Finish
HOC60W	L.120xW.60xH.25 cm	8x E14	13,0 kg	white finish
HOC60N	L.120xW.60xH.25 cm	8x E14	13,0 kg	nickel finish
HOC60GSF	L.120xW.60xH.25 cm	8x E14	13,0 kg	gold satin finish
HOC70W	L.140xW.70xH.25 cm	8x E14	17,0 kg	white finish
HOC70N	L.140xW.70xH.25 cm	8x E14	17,0 kg	nickel finish
HOC70GSF	L.140xW.70xH.25 cm	8x E14	17,0 kg	gold satin finish
HOC80W	L.160xW.80xH.25 cm	8x E14	24,0 kg	white finish
HOC80N	L.160xW.80xH.25 cm	8x E14	24,0 kg	nickel finish
HOC80GSF	L.160xW.80xH.25 cm	8x E14	24,0 kg	gold satin finish
HOC100W	L.200xW.100xH.25 cm	12x E14	38,0 kg	white finish
HOC100N	L.200xW.100xH.25 cm	12x E14	38,0 kg	nickel finish
HOC100GSF	L.200xW.100xH.25 cm	12x E14	38,0 kg	gold satin finish



Art.nr.	Dimensions	Light bulb	Weight	Finish
HH25N	Ø25xH.30 cm	1x E27	4,0 kg	nickel finish
HH25GSF	Ø25xH.30 cm	1x E27	4,0 kg	gold satin finish
HH25N-3IL	L.125xW.25xH.30 cm	3x E27	34,0 kg	nickel finish
HH25GSF-3IL	L.125xW.25xH.30 cm	3x E27	34,0 kg	gold satin finish
HH25N-4IL	L.175xW.25xH.30 cm	4x E27	37,0 kg	nickel finish
HH25GSF-4IL	L.175xW.25xH.30 cm	4x E27	37,0 kg	gold satin finish
HH25N-5IL	L.225xW.25xH.30 cm	5x E27	40,0 kg	nickel finish
HH25GSF-5IL	L.225xW.25xH.30 cm	5x E27	40,0 kg	gold satin finish
HH25N-6IL	L.275xW.25xH.30 cm	6x E27	43,0 kg	nickel finish
HH25GSF-6IL	L.275xW.25xH.30 cm	6x E27	43,0 kg	gold satin finish



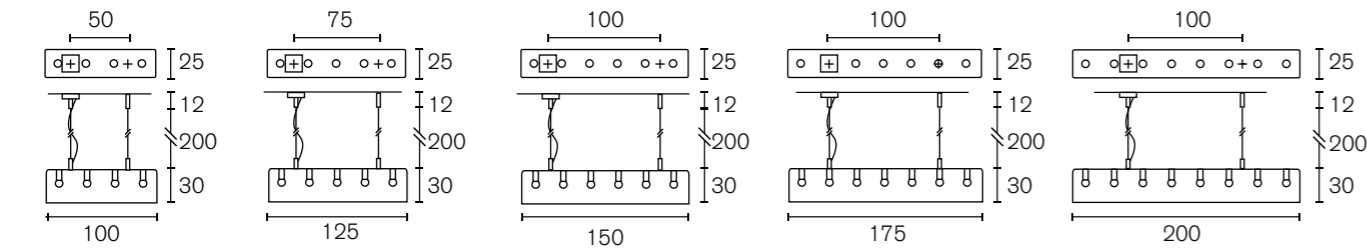
Due to our manual production method, shape and structure in Hollywood Chandeliers may vary. Lights that will be combined in the same space should therefore be ordered at the same time. All hanging lamps are supplied with 2 meter steel cable, 2 meter electrical cable and a ceiling shade.

All chandeliers are supplied with 1,7 meter chain, 2 meter electrical cable and a ceiling shade.

Specifications are subject to change without prior notice.

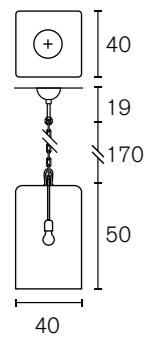
Hanging Lamp Long

Art.nr.	Dimensions	Light bulb	Weight	Finish
HHL100W	L.100xW.25xH.30 cm	4x E27	13,0 kg	white finish
HHL100N	L.100xW.25xH.30 cm	4x E27	13,0 kg	nickel finish
HHL100GSF	L.100xW.25xH.30 cm	4x E27	13,0 kg	gold satin finish
HHL125W	L.125xW.25xH.30 cm	5x E27	18,0 kg	white finish
HHL125N	L.125xW.25xH.30 cm	5x E27	18,0 kg	nickel finish
HHL125GSF	L.125xW.25xH.30 cm	5x E27	18,0 kg	gold satin finish
HHL150W	L.150xW.25xH.30 cm	6x E27	18,0 kg	white finish
HHL150N	L.150xW.25xH.30 cm	6x E27	18,0 kg	nickel finish
HHL150GSF	L.150xW.25xH.30 cm	6x E27	18,0 kg	gold satin finish
HHL175W	L.175xW.25xH.30 cm	7x E27	21,0 kg	white finish
HHL175N	L.175xW.25xH.30 cm	7x E27	21,0 kg	nickel finish
HHL175GSF	L.175xW.25xH.30 cm	7x E27	21,0 kg	gold satin finish
HHL200W	L.200xW.25xH.30 cm	8x E27	25,0 kg	white finish
HHL200N	L.200xW.25xH.30 cm	8x E27	25,0 kg	nickel finish
HHL200GSF	L.200xW.25xH.30 cm	8x E27	25,0 kg	gold satin finish



Hanging Lamp Block

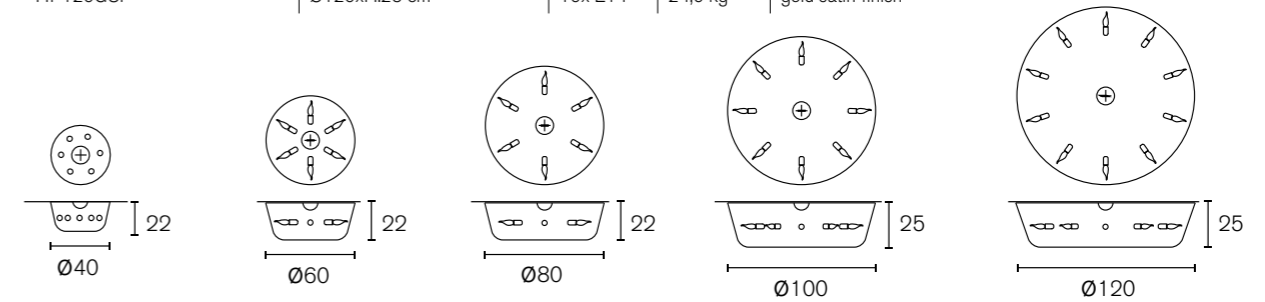
Art.nr.	Dimensions	Light bulb	Weight	Finish
HCC50W	L.40xW.40xH.50 cm	1x E27	13,0 kg	white finish
HCC50N	L.40xW.40xH.50 cm	1x E27	13,0 kg	nickel finish
HCC50GSF	L.40xW.40xH.50 cm	1x E27	13,0 kg	gold satin finish



All hanging lamps are supplied with 2 meter steel cable, 2 meter electrical cable and a ceiling shade
 Long ceiling shade with two steel cable connections available on request.
 The Hanging Lamp Block is supplied with 1,7 meter chain, 2 meter electrical cable and a ceiling shade.
 Specifications are subject to change without prior notice.

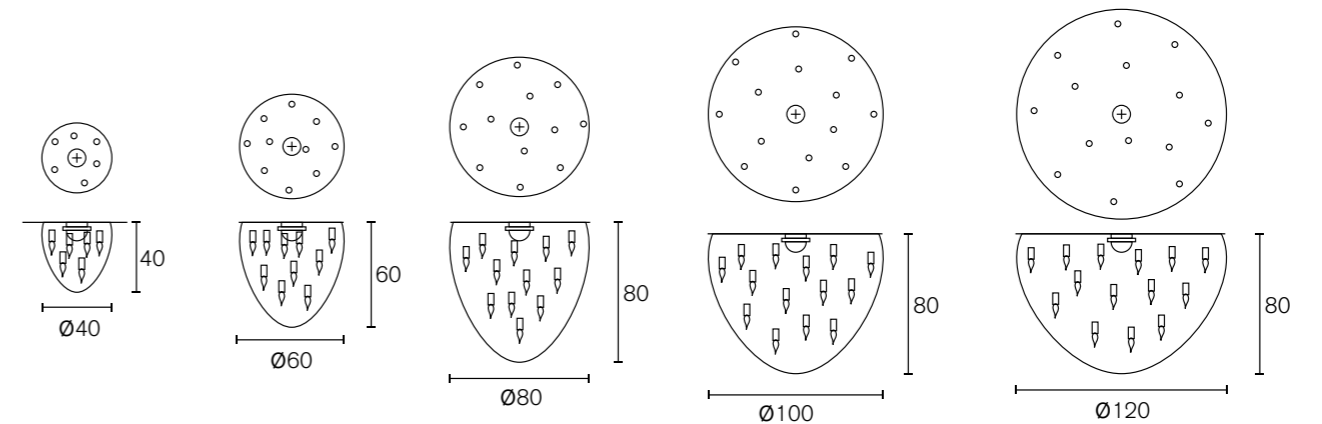
Ceiling Lamp Round

Art.nr.	Dimensions	Light bulb	Weight	Finish
HP40NH	Ø40xH.22 cm	6x G9	3,0 kg	nickel finish
HP40GSFH	Ø40xH.22 cm	6x G9	3,0 kg	gold satin finish
HP60W	Ø60xH.22 cm	6x E14	6,0 kg	white finish
HP60N	Ø60xH.22 cm	6x E14	6,0 kg	nickel finish
HP60GSF	Ø60xH.22 cm	6x E14	6,0 kg	gold satin finish
HP80W	Ø80xH.22 cm	6x E14	10,0 kg	white finish
HP80N	Ø80xH.22 cm	6x E14	10,0 kg	nickel finish
HP80GSF	Ø80xH.22 cm	6x E14	10,0 kg	gold satin finish
HP100W	Ø100xH.25 cm	8x E14	16,0 kg	white finish
HP100N	Ø100xH.25 cm	8x E14	16,0 kg	nickel finish
HP100GSF	Ø100xH.25 cm	8x E14	16,0 kg	gold satin finish
HP120W	Ø120xH.25 cm	10x E14	24,0 kg	white finish
HP120N	Ø120xH.25 cm	10x E14	24,0 kg	nickel finish
HP120GSF	Ø120xH.25 cm	10x E14	24,0 kg	gold satin finish



Ceiling Chandelier

Art.nr.	Dimensions	Light bulb	Weight	Finish
HPH40W	Ø40xH.40 cm	6x E14	5,0 kg	white finish
HPH40N	Ø40xH.40 cm	6x E14	5,0 kg	nickel finish
HPH40GSF	Ø40xH.40 cm	6x E14	5,0 kg	gold satin finish
HPH60W	Ø60xH.60 cm	10x E14	8,0 kg	white finish
HPH60N	Ø60xH.60 cm	10x E14	8,0 kg	nickel finish
HPH60GSF	Ø60xH.60 cm	10x E14	8,0 kg	gold satin finish
HPH80W	Ø80xH.80 cm	12x E14	11,0 kg	white finish
HPH80N	Ø80xH.80 cm	12x E14	11,0 kg	nickel finish
HPH80GSF	Ø80xH.80 cm	12x E14	11,0 kg	gold satin finish
HPH100W	Ø100xH.80 cm	14x E14	15,0 kg	white finish
HPH100N	Ø100xH.80 cm	14x E14	15,0 kg	nickel finish
HPH100GSF	Ø100xH.80 cm	14x E14	15,0 kg	gold satin finish
HPH120W	Ø120xH.80 cm	14x E14	17,0 kg	white finish
HPH120N	Ø120xH.80 cm	14x E14	17,0 kg	nickel finish
HPH120GSF	Ø120xH.80 cm	14x E14	17,0 kg	gold satin finish



Specifications are subject to change without prior notice.

Floor Lamp Block



Collection Images page 240-241, 248-250

Art.nr.	Dimensions	Light bulb	Weight	Finish
HF170W	L.30xW.30xH.170 cm	1x E27	18,0 kg	white finish
HF170N	L.30xW.30xH.170 cm	1x E27	18,0 kg	nickel finish
HF170GSF	L.30xW.30xH.170 cm	1x E27	18,0 kg	gold satin finish
HF190W	L.40xW.40xH.190 cm	1x E27	23,0 kg	white finish
HF190N	L.40xW.40xH.190 cm	1x E27	23,0 kg	nickel finish
HF190GSF	L.40xW.40xH.190 cm	1x E27	23,0 kg	gold satin finish

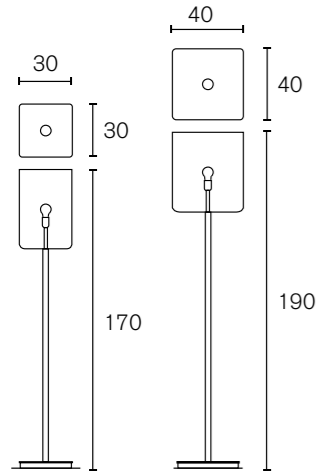
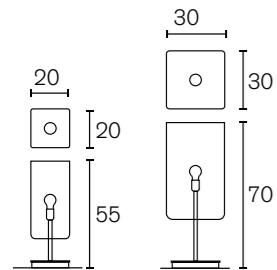


Table Lamp Block

Collection Images page 250-251

Art.nr.	Dimensions	Light bulb	Weight	Finish
HT55W	L.20xW.20xH.55 cm	1x E27	6,5 kg	white finish
HT55N	L.20xW.20xH.55 cm	1x E27	6,5 kg	nickel finish
HT55GSF	L.20xW.20xH.55 cm	1x E27	6,5 kg	gold satin finish
HT70W	L.30xW.30xH.70 cm	1x E27	14,0 kg	white finish
HT70N	L.30xW.30xH.70 cm	1x E27	14,0 kg	nickel finish
HT70GSF	L.30xW.30xH.70 cm	1x E27	14,0 kg	gold satin finish



All floor and table lamps are supplied with a dimmer.

Floor and table will be applied with a protective nano wax if ordered in brass burnished or copper burnished finish.

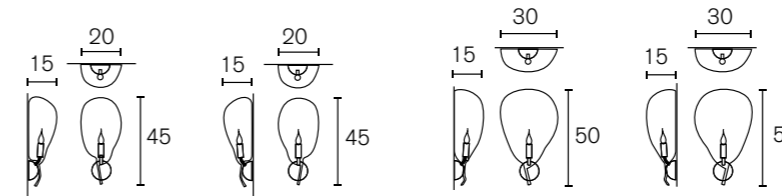
Specifications are subject to change without prior notice.

Wall Lamp



Collection Images page 240-241, 247, 250

Art.nr.	Dimensions	Light bulb	Weight	Finish
HW20W-L	W.20xH.45xD.15 cm	1x E14	1,0 kg	white finish, left version
HW20W-R	W.20xH.45xD.15 cm	1x E14	1,0 kg	white finish, right version
HW20N-L	W.20xH.45xD.15 cm	1x E14	1,0 kg	nickel finish, left version
HW20N-R	W.20xH.45xD.15 cm	1x E14	1,0 kg	nickel finish, right version
HW20GSF-L	W.20xH.45xD.15 cm	1x E14	1,0 kg	gold satin finish, left version
HW20GSF-R	W.20xH.45xD.15 cm	1x E14	1,0 kg	gold satin finish, right version
HW30W-L	W.30xH.50xD.15 cm	1x E14	2,0 kg	white finish, left version
HW30W-R	W.30xH.50xD.15 cm	1x E14	2,0 kg	white finish, right version
HW30N-L	W.30xH.50xD.15 cm	1x E14	2,0 kg	nickel finish, left version
HW30N-R	W.30xH.50xD.15 cm	1x E14	2,0 kg	nickel finish, right version
HW30GSF-L	W.30xH.50xD.15 cm	1x E14	2,0 kg	gold satin finish, left version
HW30GSF-R	W.30xH.50xD.15 cm	1x E14	2,0 kg	gold satin finish, right version



Left version

Right version

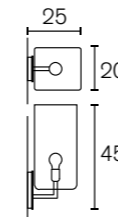
Left version

Right version

Wall Lamp Block

Collection Images page 240-241, 247, 250

Art.nr.	Dimensions	Light bulb	Weight	Finish
HW45N	W.20xH.45xD.25 cm	1x E27	6,0 kg	nickel finish
HW45GSF	W.20xH.45xD.25 cm	1x E27	6,0 kg	gold satin finish



Wall lamps will be applied with a protective nano wax if ordered in brass burnished or copper burnished finish.

Specifications are subject to change without prior notice.

Collection Hollywood Glass



HCCGL80N

Hollywood Chandelier Conical Glass (Ø80xH.100 cm, nickel finish, 12x E14, 38 kg)

Any size as customised object possible

Specifications are subject to change without prior notice.

Catalogue Edition 31

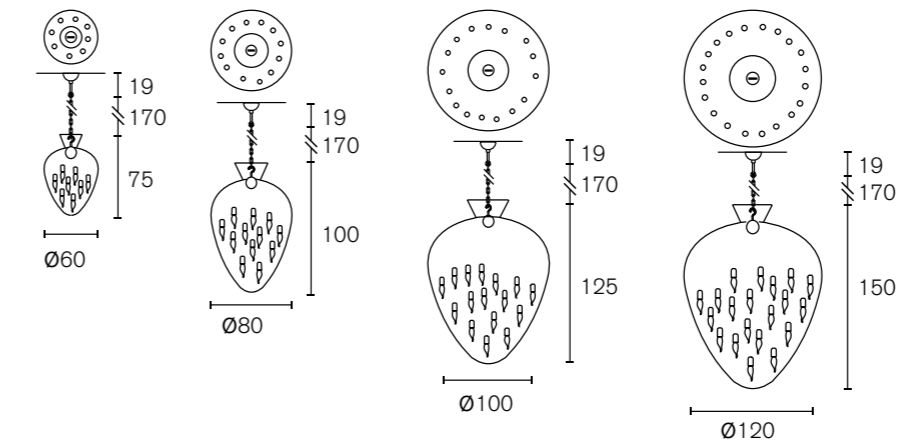
Collection Hollywood Glass



Chandelier Conical Glass

Collection Images page 253-258, 260-261, 390

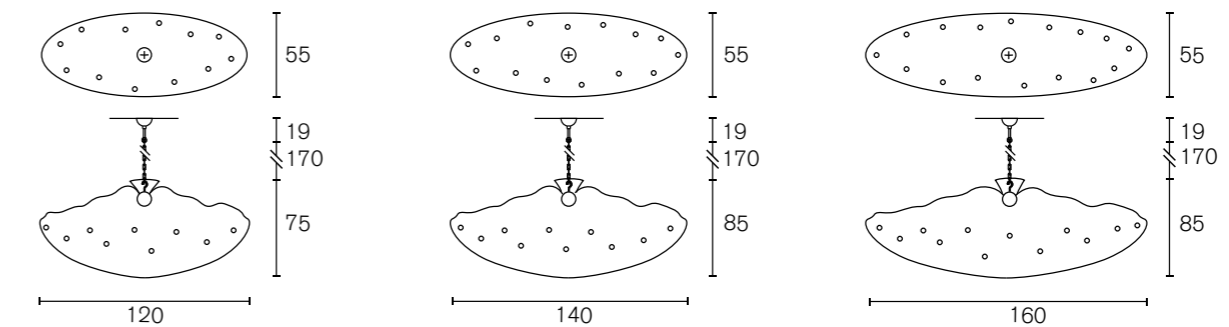
Art.nr.	Dimensions	Light bulb	Weight	Finish
HCCGL60BL	Ø60xH.75 cm	8x E14	23,0 kg	black finish
HCCGL60N	Ø60xH.75 cm	8x E14	23,0 kg	nickel finish
HCCGL60GSF	Ø60xH.75 cm	8x E14	23,0 kg	gold satin finish
HCCGL80BL	Ø80xH.100 cm	12x E14	38,0 kg	black finish
HCCGL80N	Ø80xH.100 cm	12x E14	38,0 kg	nickel finish
HCCGL80GSF	Ø80xH.100 cm	12x E14	38,0 kg	gold satin finish
HCCGL100BL	Ø100xH.125 cm	16x E14	51,0 kg	black finish
HCCGL100N	Ø100xH.125 cm	16x E14	51,0 kg	nickel finish
HCCGL100GSF	Ø100xH.125 cm	16x E14	51,0 kg	gold satin finish
HCCGL120BL	Ø120xH.150 cm	20x E14	72,0 kg	black finish
HCCGL120N	Ø120xH.150 cm	20x E14	72,0 kg	nickel finish
HCCGL120GSF	Ø120xH.150 cm	20x E14	72,0 kg	gold satin finish



Chandelier Oval Glass

Collection Images page 259

Art.nr.	Dimensions	Light bulb	Weight	Finish
HOCGL120BL	L.120xW.55xH.75 cm	12x E14	35,0 kg	black finish
HOCGL120N	L.120xW.55xH.75 cm	12x E14	35,0 kg	nickel finish
HOCGL120GSF	L.120xW.55xH.75 cm	12x E14	35,0 kg	gold satin finish
HOCGL140BL	L.140xW.55xH.85 cm	14x E14	42,0 kg	black finish
HOCGL140N	L.140xW.55xH.85 cm	14x E14	42,0 kg	nickel finish
HOCGL140GSF	L.140xW.55xH.85 cm	14x E14	42,0 kg	gold satin finish
HOCGL160BL	L.160xW.55xH.85 cm	16x E14	48,0 kg	black finish
HOCGL160N	L.160xW.55xH.85 cm	16x E14	48,0 kg	nickel finish
HOCGL160GSF	L.160xW.55xH.85 cm	16x E14	48,0 kg	gold satin finish

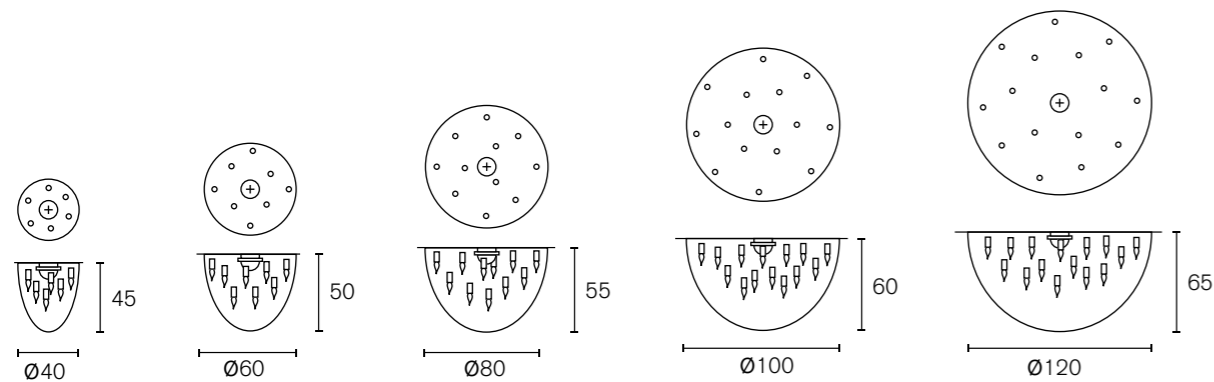


All chandeliers are supplied with 1,7 meter chain, 2 meter electrical cable and a ceiling shade.

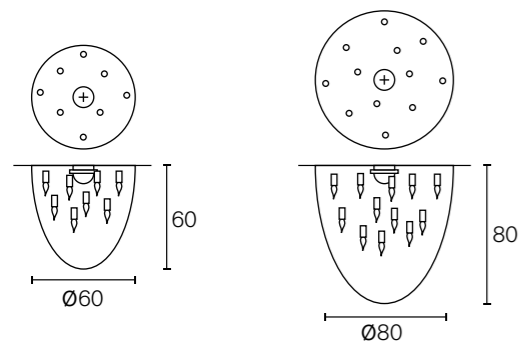
Specifications are subject to change without prior notice.

Catalogue Edition 31

Art.nr.	Dimensions	Light bulb	Weight	Finish
HPGL40N	Ø40xH.45 cm	6x E14	15,0 kg	nickel finish
HPGL40GSF	Ø40xH.45 cm	6x E14	15,0 kg	gold satin finish
HPGL60N	Ø60xH.50 cm	8x E14	22,0 kg	nickel finish
HPGL60GSF	Ø60xH.50 cm	8x E14	22,0 kg	gold satin finish
HPGL80N	Ø80xH.55 cm	11x E14	28,0 kg	nickel finish
HPGL80GSF	Ø80xH.55 cm	11x E14	28,0 kg	gold satin finish
HPGL100N	Ø100xH.60 cm	14x E14	42,0 kg	nickel finish
HPGL100GSF	Ø100xH.60 cm	14x E14	42,0 kg	gold satin finish
HPGL120N	Ø120xH.65 cm	15x E14	60,0 kg	nickel finish
HPGL120GSF	Ø120xH.65 cm	15x E14	60,0 kg	gold satin finish



Art.nr.	Dimensions	Light bulb	Weight	Finish
HPGLH60N	Ø60xH.60 cm	8x E14	23,0 kg	nickel finish
HPGLH60GSF	Ø60xH.60 cm	8x E14	23,0 kg	gold satin finish
HPGLH80N	Ø80xH.80 cm	12x E14	34,0 kg	nickel finish
HPGLH80GSF	Ø80xH.80 cm	12x E14	34,0 kg	gold satin finish



General Terms and Conditions of Sales

1. Applicability of terms and Conditions of Sales

- These general conditions of sales and delivery shall apply to all offers, quotes, deliveries, services and agreements of Brand van Egmond B.V. ("BRAND VAN EGMOND").
- All orders are accepted and executed by BRAND VAN EGMOND subject to and in accordance with the following conditions of sales which override and exclude any other terms stipulated or incorporated or referred to by the customer during any negotiations or in any course of dealing between BRAND VAN EGMOND and the customer.
- No variation or deviation to these conditions of sales is permitted unless expressly authorised in writing by a director of BRAND VAN EGMOND.

2. Quotations and orders

- Subject to the terms contained in this section, any quotation provided by BRAND VAN EGMOND will be without engagement.
- Although BRAND VAN EGMOND strives to provide accurate product and pricing information, errors or misprints may occur. BRAND VAN EGMOND cannot confirm the price of a product until after the customer orders the product. Notwithstanding anything contained in this section, in the event that a product is listed at an incorrect price or with incorrect information due to an error in pricing or product information, BRAND VAN EGMOND shall have the right, at its sole discretion, to refuse or cancel any orders placed for that product. In the event that a product is priced in error or a product information error occurs, BRAND VAN EGMOND may, at its sole discretion, either contact the customer for instructions, cancel the order and notify the customer of such cancellation, and/or correct the error on its web site/pricelist, any without liability.
- Orders are not binding on BRAND VAN EGMOND until accepted by BRAND VAN EGMOND. BRAND VAN EGMOND's acceptance of an order is evidenced in writing including return e-mail from BRAND VAN EGMOND indicating that customer's order has been accepted.
- Changes of orders will be accepted up to 3 (three) days only from our order confirmation.
- The cancellation of a confirmed order is valid only if it is accepted in writing by BRAND VAN EGMOND. Expenses due to cancellation will be charged.

3. Prices

- Prices for products are in EUR and exclusive of VAT, unless otherwise indicated.
- BRAND VAN EGMOND reserves the right to increase prices after execution of the agreement and without notice at any time in the event that the manufacturing prices of BRAND VAN EGMOND increase.
- Unless indicated otherwise in writing by BRAND VAN EGMOND, the prices are based on delivery on the basis of EXW (Ex Works), Naarden, The Netherlands (according to the latest version of the ICC Incoterms®).

4. Payment

- Unless credit terms have been agreed to in writing by BRAND VAN EGMOND, customer shall pay invoices within thirty (30) days from the date of the invoices without any deductions or set-off whatsoever.
- If payment is not received by BRAND VAN EGMOND by the due date, the customer shall pay a financing charge of 2% of the capital sum for each month or portion thereof during which payment remains outstanding, until payment is made in full.
- BRAND VAN EGMOND reserves the right to demand payment up front or to demand security for the payment of the invoices before commencing the production and/or delivery of the products.
- If the customer fails to make payment by the due date or fails to provide security without prejudice to any other right or remedy, and without prior notice of default, BRAND VAN EGMOND shall be entitled to: i. cancel the order or suspend any further deliveries; and ii. appropriate any payment made by the customer to such of the products (or the products supplied under any other contract) as BRAND VAN EGMOND may think fit.
- All expenses in connection with the recovery of the amounts payable and not paid in time by BRAND VAN EGMOND shall be for the account of the customer. The extrajudicial expenses shall be at least 15% of the amount due, at a minimum of Euro 750, and shall already be payable and claimable as soon as the claim is passed out of hand for collection.

5. Accounts

A customer wishing to open a credit account must furnish such information as requested by BRAND VAN EGMOND and BRAND VAN EGMOND will make a search with a credit reference agency. BRAND VAN EGMOND reserves the right in its absolute discretion to grant, refuse or discontinue any credit facilities or reduce or suspend any credit limit at any time.

6. Product availability; special orders

- Product availability may be limited. Products may not be available for immediate delivery. BRAND VAN EGMOND reserves the right, without liability or prior notice, to revise or cease to make available any or all products. All articles shall be executed in standard design.
- For an order of deviating models or colours or special requests a surcharge shall be made, this after prior written consultation. All special orders are, unless agreed to otherwise in writing, paid for by the customer upfront.

7. Delivery

- Unless agreed otherwise in writing delivery shall take place EXW (Ex Works) Naarden, the Netherlands, according to the latest version of the ICC Incoterms®.
- BRAND VAN EGMOND will use reasonable endeavours to meet delivery estimates but in no circumstances shall it be liable to compensate the customer for non-delivery or late delivery.
- BRAND VAN EGMOND reserves the right to deliver by instalments or in parts. Failure to meet a delivery date where delivery is by instalments shall not preclude BRAND VAN EGMOND's right to make further deliveries by instalments under the relevant contract.
- The customer may request delivery by instalments for a maximum period of 12 months from the date of order.
- The risk for the goods to be delivered shall pass to the customer from the moment that they are placed at the disposal of the customer at the premises of BRAND VAN EGMOND unless agreed to otherwise in writing. Any assistance by BRAND VAN EGMOND with the loading of the goods on any means of transportation shall be for the risk of the customer.

- 7.6 If delivery of the goods is refused by the customer, without prejudice to the provisions of article 9, the risk of the goods shall pass to the customer at once and BRAND VAN EGMOND can immediately claim payment. BRAND VAN EGMOND shall keep the goods at the customer's risks and expense until further notice.
- 7.7 If the customer continues to default after being summoned BRAND VAN EGMOND shall be entitled to dispose of the goods or to give them another destination. Any proceeds shall be credited to the customer with deduction of all expenses coming for his account, without prejudice to BRAND VAN EGMOND's right to full payment of the agreed price.

8. Inspection, defects and non-delivery, returns

- 8.1. The customer must inspect the products at the moment of delivery. BRAND VAN EGMOND shall not be liable for any defects in the products unless written notice with a statement of reasons is given to BRAND VAN EGMOND within seven (7) days of receipt. If complaints have not been made in the above mentioned manner and within the aforementioned period of seven (7) days, the delivery shall be considered unconditionally accepted.
- 8.2. The quantity of any consignment of products as recorded by BRAND VAN EGMOND upon despatch from BRAND VAN EGMOND's place of business shall be conclusive evidence of the quantity received by the customer on delivery, unless the customer can provide conclusive evidence to the contrary.
- 8.3. Customary deviations shall not be reasons for complaint. The photos on this web site, in our catalogue and brochures are provided to assist you in choosing the right product. These photos are meant to be samples only and are not intended to provide a perfect match to the actual product color. Colors and photo size may vary based upon your screen resolution and other computer settings outside of our control. The photo may differ from the actual product due to reproduction limitations of the photograph and limitations of viewing photos at different resolutions, hue, brightness, contrast, and other screen variations. Therefore, Brand van Egmond shall not be held responsible for any variation between the photos on this website/catalogue and the actual products you receive, including but not limited to: Color variation, grain variation, color change, and character variation
- 8.4. Any liability of BRAND VAN EGMOND for non-delivery or defective products shall to BRAND VAN EGMOND's discretion be limited to replacing, repairing or making up the products within a reasonable time.
- 8.5. No order can be cancelled or accepted without previous written agreement of BRAND VAN EGMOND.
- 8.6. Products may not be returned without BRAND VAN EGMOND's permission. If BRAND VAN EGMOND agrees to take the Products back, the customer shall obtain a return merchandise authorisation number (RMA number). Any products returned must be provided with the RMA number by the customer and be received by BRAND VAN EGMOND within seven (7) days of delivery and must be complete, undamaged and in original packaging. Products returned after seven (7) days as unwanted or incorrectly ordered will be accepted at the discretion of BRAND VAN EGMOND and will be subject to a restocking fee representing 30% of the invoice value of the products.
- 8.7. Certain products - such as products specially designed or manufactured for the customer - are excluded from any return. The customer is responsible for returning products to BRAND VAN EGMOND and for providing proof of delivery of such return.
- 8.8. Products will be returned at the customer's expense.

9. Retention of title

- 9.1 Ownership of the products shall not pass to the customer until BRAND VAN EGMOND has received in full (in cash or cleared funds) all sums due in respect of the products.
- 9.2 The customer shall not be entitled to alienate or encumber the products in any way as long as full payment has not been made to BRAND VAN EGMOND, except where and in so far as the normal conduct of business is concerned. The customer shall be obliged to pledge to BRAND VAN EGMOND any claims on third parties resulting from this, on pain of a fine to the amount of 50% of the invoice amount for the goods supplied, with a minimum of € 2.250,=.
- 9.3 If payment is not received in full by the due date, or the customer passes a resolution for winding up or a court shall make an order to that effect, or a receiver is appointed over any assets or the undertaking of the customer or an execution or distress is levied against the customer, BRAND VAN EGMOND shall be entitled, without previous notice, to retake possession of the products and for that purpose to enter upon any premises occupied or owned by the customer.

10. Performance and fitness for purpose

- 10.1 Unless any performance figures, tolerances or characteristics have been specifically and expressly warranted by a director of BRAND VAN EGMOND in writing, BRAND VAN EGMOND accepts no liability for any failure of the products to obtain such figures.
- 10.2 The responsibility for ensuring that products are sufficient and suitable for a particular purpose is the customer's, unless specifically stated in writing by a director of BRAND VAN EGMOND.
- 10.3 Any advice or recommendation given by an employee of BRAND VAN EGMOND, which is not confirmed in writing by a director of BRAND VAN EGMOND, is acted on entirely at the customer's risk and BRAND VAN EGMOND and its employees shall not be liable for any such advice or recommendation which is not so confirmed.

11. Guarantee

- 11.1 Each product has been manufactured and packaged to meet BRAND VAN EGMOND's high standards. Any defects which, under proper use, appear in the products within a period of twelve (12) months (unless otherwise stated by BRAND VAN EGMOND) and which are due to faulty materials, workmanship or design will be made good by BRAND VAN EGMOND either by repair, or at BRAND VAN EGMOND's option, replacement (which is BRAND VAN EGMOND's sole obligation and the customer's sole remedy).
- 11.2 BRAND VAN EGMOND's guarantee is accepted by the customer in substitution for all express or implied representations, conditions or warranties, statutory or otherwise, as to the satisfactory quality, fitness for purpose or performance of the products (or any materials used in connection therewith) or the standard of workmanship of any services provided, and all such representations, conditions and warranties are excluded.
- 11.3 BRAND VAN EGMOND shall not be liable for defective products if the defect arises because the customer alters or repairs such products without the written consent of BRAND VAN EGMOND or because the customer did not follow the manufacturers' instructions for storage, usage, installation, use or maintenance of the products.
- 11.4 Any products replaced or repaired under this paragraph will be guaranteed on these terms for any unexpired portion of the guarantee given on the original products.

12. Liability

- 12.1 These conditions of sales set out the entire liability of BRAND VAN EGMOND to the customer in respect of the products and shall be in lieu and to the exclusion of all other warranties, conditions, and other terms implied by statute or common law save for any implied terms which by law cannot be excluded.
- 12.2 Nothing in these conditions of sale excludes or limits the liability of BRAND VAN EGMOND for death or personal injury caused by BRAND VAN EGMOND's negligence or fraudulent misrepresentation.
- 12.3 BRAND VAN EGMOND's total liability in contract, tort (including negligence or breach of statutory duty), misrepresentation or otherwise shall be limited to repairing, replacing or at BRAND VAN EGMOND's option refunding monies already paid in respect of the products.
- 12.4 BRAND VAN EGMOND shall not be liable to the customer for any indirect or consequential loss or damage (whether for loss of profit, loss of business, loss of goodwill or otherwise) costs, expenses or other claims for consequential compensation whatsoever (whether caused by the negligence of BRAND VAN EGMOND, its employees, agents or subcontractors) which arise out of or in connection with any contract.
- 12.5 BRAND VAN EGMOND shall not be liable for damage if the customer has not held BRAND VAN EGMOND liable for the damage by registered letter within a reasonable time after becoming aware of the cause of damage, but not later than thirty (30) days after becoming aware of the damage.
- 12.6 All stipulations concerning the exclusion or limitation of BRAND VAN EGMOND's liability for and concerning BRAND VAN EGMOND's indemnity against claims of third parties have also been made for the benefit of the persons who are employed by BRAND VAN EGMOND as well as third parties for whose actions or omissions BRAND VAN EGMOND can be liable.

13. Termination

- 13.1 If the customer is in default with timely payment or fulfilment of other obligations towards BRAND VAN EGMOND, BRAND VAN EGMOND shall remain entitled, without any notice of default, to consider the agreement rescinded, without prejudice to BRAND VAN EGMOND's right to full compensation of damage suffered and to be suffered and any further rights.
- 13.2 The power to rescind the agreement on the strength of article 13.1 shall also be due to BRAND VAN EGMOND if BRAND VAN EGMOND finds that the customer has filed an application for a provisional moratorium, is being declared bankrupt, goods of the customer are being attached before judgment or under an execution, or his debts are being liquidated.
- 13.3 The damage suffered and yet to be suffered as referred to in article 13.1. shall be at least 10% of the agreed price, without BRAND VAN EGMOND being obliged to prove that this damage has been or will be suffered.
- 13.4 In the event of rescission on the strength of article 13 any credit that BRAND VAN EGMOND has granted the customer shall be claimable immediately without further notice of default being required.

14. Intellectual property rights

- 14.1 The only BRAND VAN EGMOND trademarks and/or other rights of intellectual property that the customer may display to advertise and sell the products, shall be those trademarks and/or intellectual property rights under which the products are sold by BRAND VAN EGMOND to the customer hereunder, or such other trademarks expressly authorized by BRAND VAN EGMOND (hereinafter called "the said trademarks").
- 14.2 The customer shall comply with BRAND VAN EGMOND's instructions as to the manner and context in which the said trademarks and the statements to accompany them are displayed.
- 14.3 No trademarks of the products shall be undertaken by the customer or any person on the customer's behalf without BRAND VAN EGMOND's prior written consent nor will the customer alter, obliterate, add to, or otherwise interfere with the said trademarks and/or other intellectual property rights.

15. Export

- 15.1 The customer is responsible at its own expense for obtaining any licence and complying with any export or import regulations in force within the country for which the products are destined.
- 15.2 BRAND VAN EGMOND reserves the right not to supply certain customers or countries and to seek from the customer full details of the end use and final destination of the products.

16. Force majeure

- 16.1 BRAND VAN EGMOND shall not be liable to the customer in any manner or be deemed to be in breach of these conditions of sale because of any delay in performing or any failure to perform any of BRAND VAN EGMOND's obligations under these conditions of sale if the delay or failure was due to any cause beyond BRAND VAN EGMOND's reasonable control (which shall include, but not be limited to government actions, war, fire, explosion, flood, import or export regulations or embargoes, labour disputes or inability to obtain or a delay in obtaining supplies of products or labour, lack and/or interruptions in the means of transport, production equipment or energy supplies).
- 16.2 BRAND VAN EGMOND may, at its option, delay the performance of, or cancel the whole or any part of a contract.

17. General

- 17.1 Any provision of these conditions of sale which is held by any competent authority to be invalid, void, unenforceable or unreasonable (in whole or in part) shall to the extent of such invalidity, voidness, voidability, unenforceability or unreasonableness be deemed severable and the other provisions of these Conditions of Sale and the remainder of such provision shall not be affected.
- 17.2 Failure by BRAND VAN EGMOND to enforce or partially enforce any provision of these conditions of sale will not be constrained as a waiver of any rights under these conditions of sale.

18. Legal construction

- 18.1 All disputes, suits, actions or other legal proceedings arising out of or related to these conditions of sale shall be governed by and interpreted in accordance with the laws of the Netherlands and the customer submits to the jurisdiction of the courts of the Netherlands, but BRAND VAN EGMOND may enforce such contract in any court of competent jurisdiction.
- 18.2 The United Nations Convention on contracts for the International Sale of Goods (1980) is not applicable (CISG).



GALC100BR

Specifications are subject to change without prior notice.

Catalogue Edition 31



Specifications are subject to change without prior notice.

Catalogue Edition 31



All rights reserved, copyright© Brand van Egmond B.V. © 2023.

For all models, texts, layout and images. Photography by Daniel Nicolas, Mark Groeneveld and BrandvanEgmond, Interiors designed by studiodutchdelight.com. Specifications are subject to change without prior notice. Brand van Egmond manufactures exclusive lighting sculptures on a small scale. Because their products are handmade, they can differ from one another. Each product has its own identity and therefore is unique. Each item is labelled with its own number and certificate. Brand van Egmond reserves the right to change their models from time to time without prior notice. The designs, texts, layout or pictures included in this brochure are subject to errors, technical changes and protected by copyright and/or industrial design rights. No part there of may be made public, reproduced or amended in any form or in any manner whatsoever, for commercial purposes by third parties, including dealers, retailers, internet shops and others, without the prior and express written permission of the designer William Brand) .

Colofon

BRAND VAN EGMOND

William Brand

Photography by

Daniel Nicolas pages: 40,44,46,48,50,55,56,60,64,68,82,96,104.

Marco Hamoen pages: 6,7,58,74,76,78,84,88,92,95.

Mark Groeneveld pages: 109,116-117.

Brand Van Egmond: All remaining pages.





BRAND VAN EGMOND B.V. Nikkelstraat 41, 1411 AH Naarden, The Netherlands

T. +31 (0)35 692 12 59 info@brandvanegmond.com www.brandvanegmond.com

