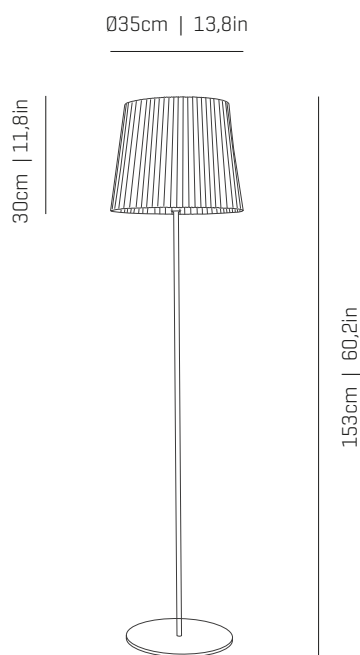


a

emotional light

virginia collection



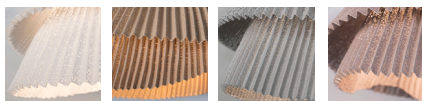
ref. VG03B



MATERIALS & COMPONENTS | MATERIALES & COMPONENTES

LAMP SHADE | TULIPA

Painted stainless steel | One color to choose
Acero inoxidable pintado | Un color a elegir



BL BE G T

CUSTOM
COLOR

Stainless steel
Acero inoxidable

SUPPORT AND CABLE

SOPORTE Y CABLE

Stainless steel
Acero inoxidable

Transparent cable
Cable transparente

Standard: 250cm | 98,4in

RECOMMENDED BULBS

BOMBILLAS RECOMENDADAS

230V - 50Hz

- E27 LED Vintage - Max. 1x12 W
- E27 LED Standard - Max. 1x12 W

120V - 60Hz

- E26 LED - Max. 1x12 W

OTHER DATA | OTROS DATOS

NET WEIGHT

PESO NETO

10kg | 22lb

PACKAGING

EMBALAJE

155x11x11cm | 61x 4,3x 4,3in
41x41x40cm | 16,1x 16,1x 15,7in
11,5kg | 25,3lb

ELECTRICAL FEATURES

CARACTERÍSTICAS ELÉCTRICAS



CERTIFICATIONS

CERTIFICACIONES



a

emotional light

ASSEMBLY INSTRUCTIONS
INSTRUCCIONES DE MONTAJE

Virginia

ref. VG03B

Suitable for indoor use, at 25°C

Apta para uso interior a temperatura ambiente de 25°C

Box contains | Contenido de la caja:

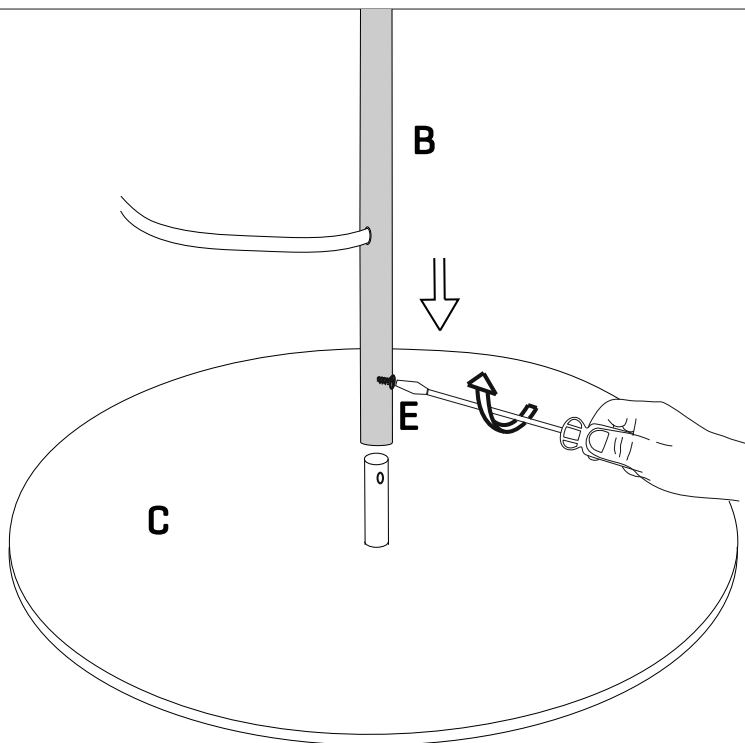
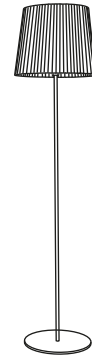
A - Lampshade | Tulipa [1]

B - Pie | Foot/support [1]

C - Base | Base [1]

D - Fixing washer | Arandela de fijación [1]

E - Screw | Tornillo [1]



1

The foot is shipped separately from its base, unpack both to proceed with its assembly. First take the foot and unscrew the screw and the washer, set them aside for the third step.

Join the foot into the base, by screwing a screw.

El pie se envía separada de la base, desembale ambos para proceder a su montaje.

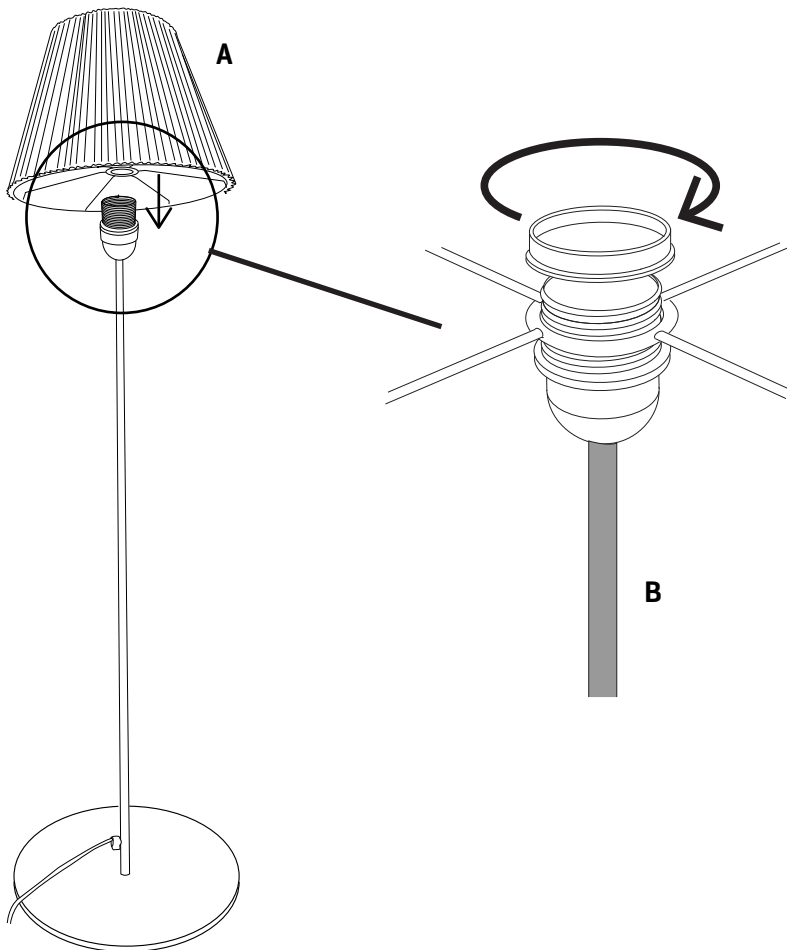
Introduzca el tubo en el pivote de la base, orientando los agujeros para enroscar el tornillo.

Unir el pie a la base, enroscando el tornillo.

a

emotional light

ASSEMBLY INSTRUCTIONS
INSTRUCCIONES DE MONTAJE



2

Introduce the diffuser over the socket and join all together with the fixing nut.

Sobre el portalámparas coloque la tulipa y apriete ambos con la rosca.